

ROUND SERIES

LED LIGHTING FOR HAZARDOUS
LOW BAY & AREA



NOW AVAILABLE



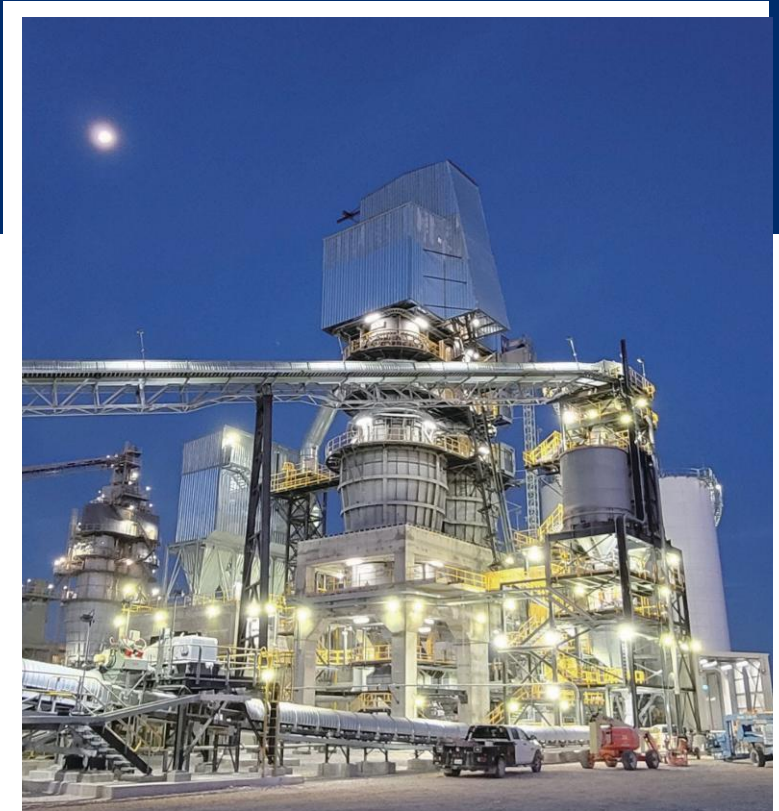
Reliable. Durable. Efficient.
5,000 to 9,500 lumen models

RED SKY
SERIOUSLY SAFE LIGHTS™

ABOUT RED SKY LIGHTING

PIONEERING INDUSTRIAL ILLUMINATION FOR HARSH & HAZARDOUS CONDITIONS

- A leading manufacturer of premium LED lights for demanding work conditions
- Headquartered in California, products assembled in the USA
- Servicing global clients across 4 continents in metal processing, oil & gas, marine, manufacturing
- Renowned for quality, dependability, client care and uncompromising safety standards



WHY CHOOSE RED SKY

❧ SERIOUSLY SAFE LIGHTS

- Rigorously tested in our professional labs
- Surpassing industry certifications and safety protocols
- Crafted with highest grade components for maximum durability

❧ TOP-NOTCH SERVICES

- Team of experts for seamless support
- Energy audit services, lighting simulation services
- Hassle-free return policy and management

❧ FAST DELIVERY

- Majority of orders delivered within 14 days
- Same day shipping for products in stock
- Real-time order tracking for full transparency

❧ SUSTAINABLE SOLUTIONS

- High luminous efficacy LEDs for energy savings
- Conscious product design
- Recyclable materials for products and packaging



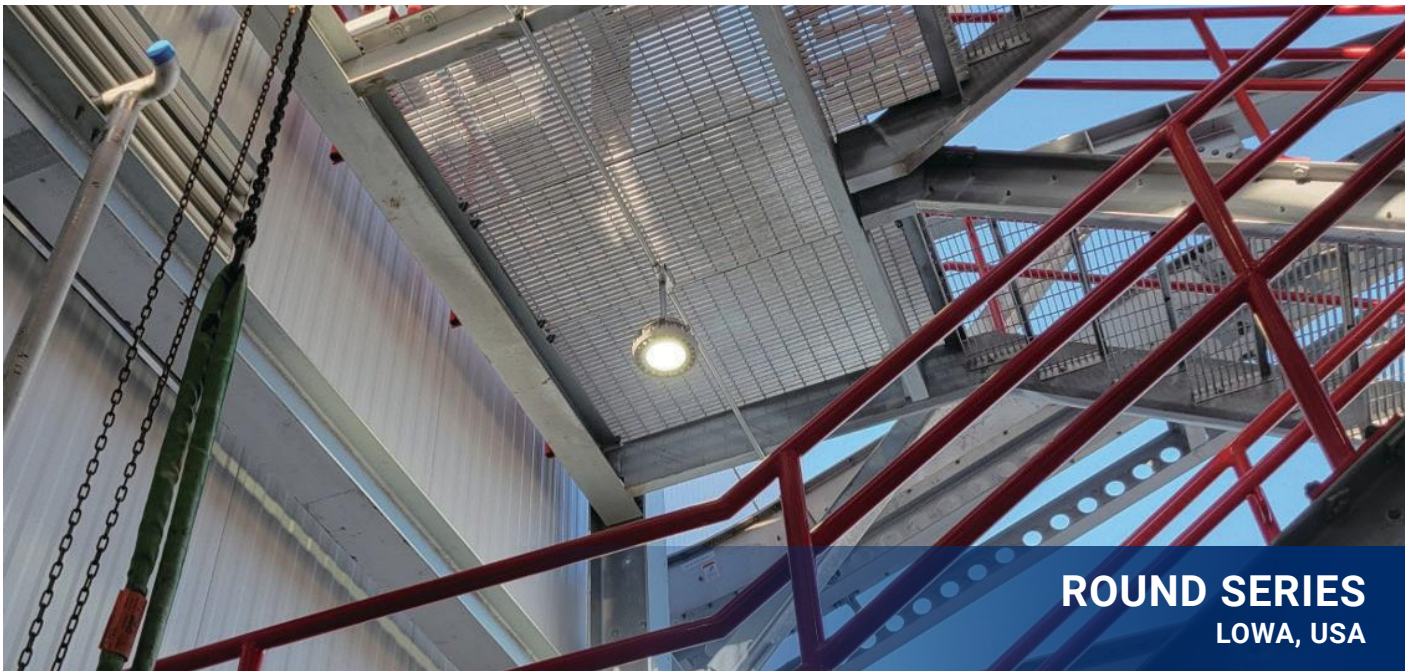
ROUND SERIES



The compact yet robust Round Series lights up even the tightest spaces. Measuring only 9 inches, it delivers a powerful 150 lumens per watt from high-efficiency LEDs. Approved for hazardous locations, the Round Series accommodates demanding conditions in industries like oil and gas, marine, factories and more.

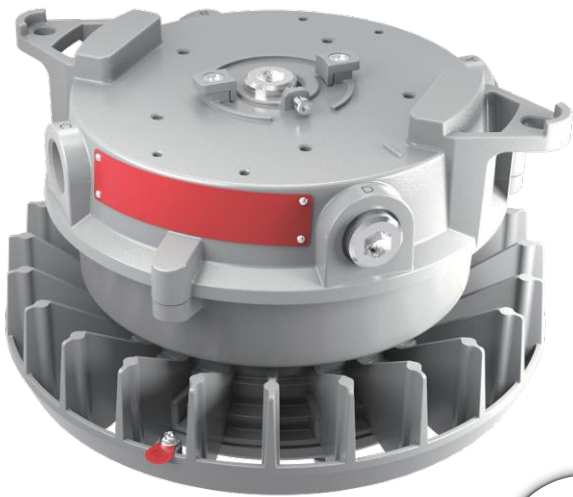
Built to last, it withstands searing heat up to 140°F (60°C) and has a lifetime of over 127,000 hours at this temperature, while its robust design and quality enable operation under temperatures as low as -40°F (-40°C). Its 0-10V dimmability reduces light pollution and slashes energy costs. For optimized coverage, choose from six lens options and seven mount configurations for flexible placement. Pre-installed cords make installation easy with a wide range of cord length options that offer great flexibility. A versatile mount fits multiple 3/4" NPT hubs for compatibility in different scenarios.

Backed by Red Sky Lighting's best-in-class 10-year warranty, it exceeds expectations through long shifts in punishing conditions. Experience powerful, precise lighting where you need it most with the compact yet mighty Round Series.



ROUND SERIES
LOWA, USA

FEATURES



Quick Installation
60 seconds installation time



Compact and Light Weight Design

Flexible Installation
7 different mounting options



RATINGS

Class I Division 2, Groups A, B, C, D	UL 1598 Wet Locations
Class II Division 1 Group E, F, G	UL 1598A Marine Outside Type (Salt Water)
Class II Division 2, Groups F, G	IP66, NEMA 4x
Class III	IK08(Glass)/IK10(PC)
Class I, Zone 2, Group IIC	Salt Spray 720 hrs (ASTM B117)
Zone 21, Group IIIC	3G (ANSI C136.31)**

CERTIFICATIONS

UL844
UL1598
UL1598A
CSA C22.2 NO. 250.0
CSA C22.2 No. 137
DLC Premium*
FCC Part 15, Subpart B

* Not all product variations listed on this page are DLC qualified. Visit www.designlights.org/search to confirm qualification.

** Yoke Mount Only

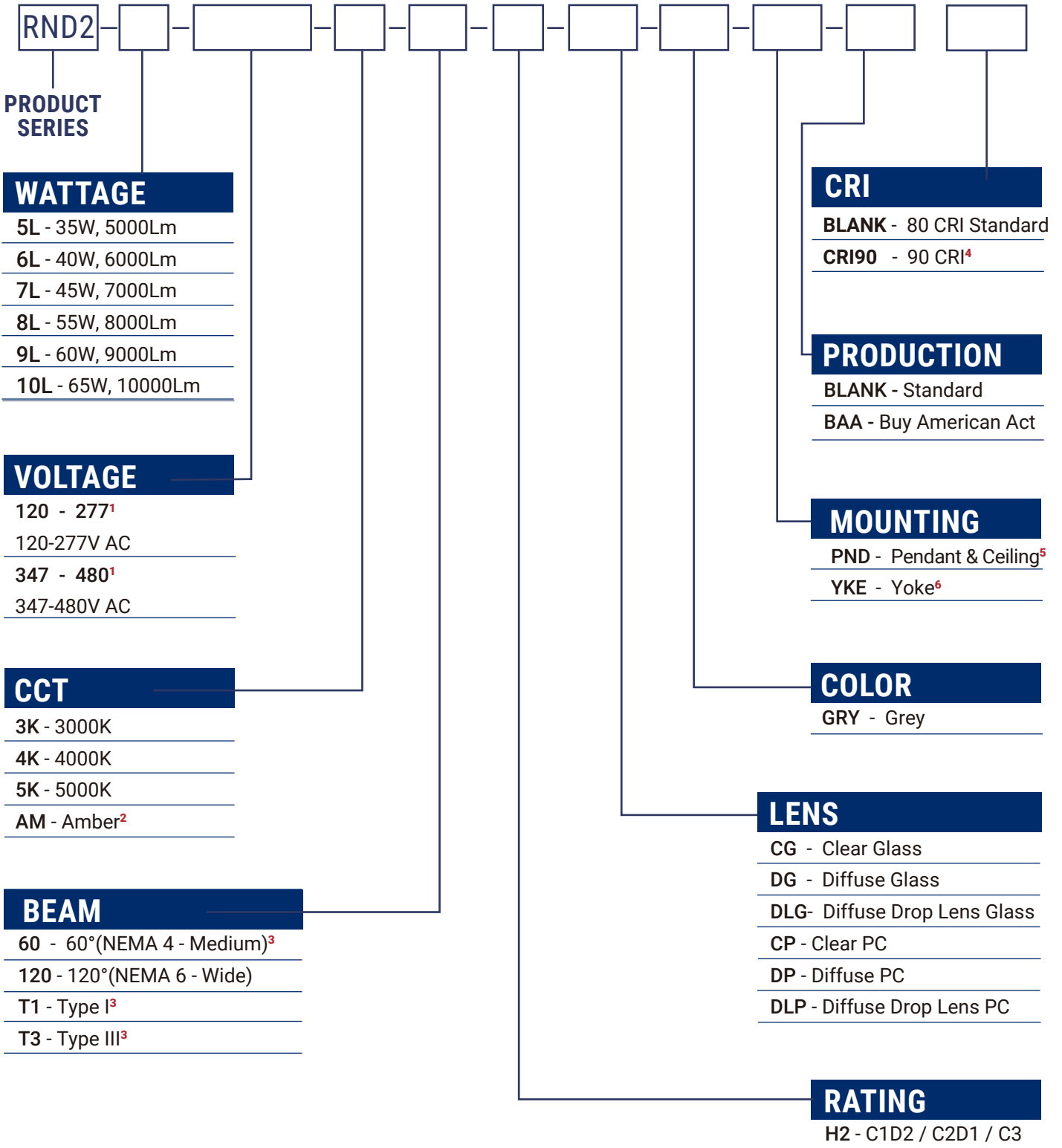
TECHNICAL PARAMETERS

Specification	RND2-5L	RND2-6L	RND2-7L	RND2-8L	RND2-9L	RND2-10L
Electrical Parameters						
Power	35W	40W	45W	55W	60W	65W
Rated Input Current(120V AC)	0.324A	/	0.416A	0.509A	/	0.601A
Rated Input Current(277V AC)	0.140A	/	0.180A	0.220A	/	0.260A
Rated Input Current(347V AC)	/	0.128A	/	/	0.192A	/
Rated Input Current(480V AC)	/	0.092A	/	/	0.138A	/
Voltage(V AC)	120-277	347-480	120-277	120-277	347-480	120-277
Frequency	50/60Hz					
Power Factor	≥0.90					
THD	<20%					
L70	127,000 hrs@140°F					
Dimming	0-10V, Range 10-100%				/	0-10V, Range 10-100%
Surge Protection	10KV					
Supply Wire	12-18AWG, Rated 90°C					
Warranty	LEDs: 10 years, Driver: 7 years					
Optical Parameters						
Lumen Output*	5,048Lm	5,617Lm	6,532Lm	7,982Lm	8,901Lm	9,591Lm
Lumen Efficacy*	150Lm/W					
Available Beam Angle	60°/ 120°/T1/T3					
Correlated Color Temperature (CCT)	3000K/4000K/5000K/Amber					
Color Rendering Index (CRI)	80 CRI					
Mechanical Parameters						
Housing Material	Die-cast aluminum					
Hardware	Stainless steel 316					
Lens Material	Tempered Glass/Polycarbonate					
Mounting Options	Pendant, Ceiling, Yoke, Wall, Stanchion, Pole, Pipe, Junction box					
Product Weight	11.0lbs / 5.0kg					
Package Weight	13.1lbs / 6.0kg					
Cable Entry	(5) 3/4" NPT					
Product Dimensions(LxWxH)	10.6x10.3x7.85in (269.4x262x199.3mm)					
Package Dimensions(LxWxH)	12.7x11.6x8.7in (323x295x220mm)					
Environmental Parameters						
Ambient Operating Temperature	-40°F ~ +140°F (-40°C ~ 60°C)					
T-Code Rating	C1D2 – T4A, C2D1 – T5					
EPA wind rating (FT2)	0.929(Yoke), 1.032(Ceiling), 0.917(Stanchion)					

* Value calculated based on 5000K, 80 CRI and clear glass ,varies to different spec.
70 CRI & 90 CRI optional, DLC available with 70 CRI only.

ORDERING INFORMATION

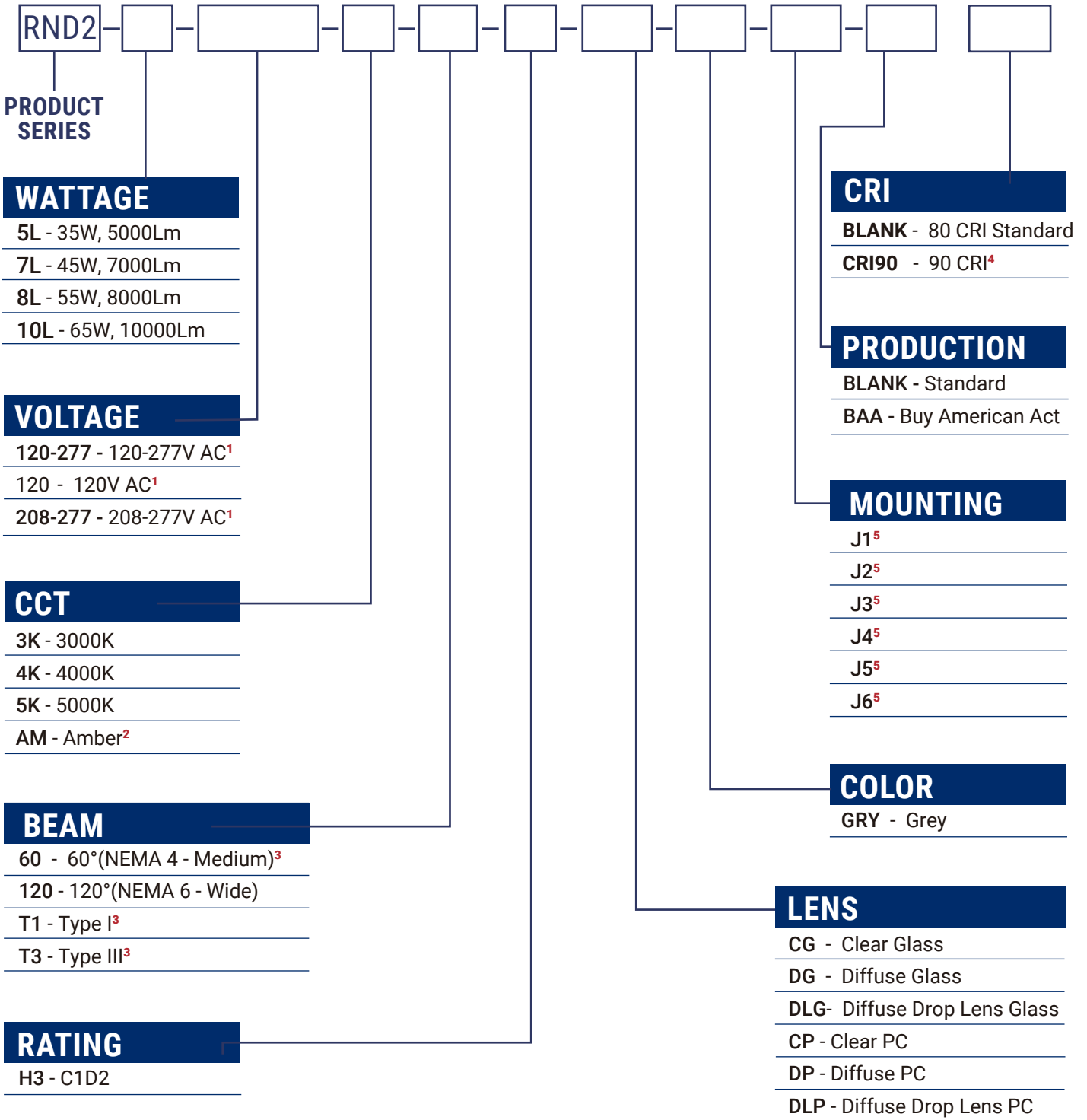
EXAMPLE: RND2-6L-120-277-5K-60-H2-CG-GRY-PND-BAA



¹ 120-277 only available for 35W,45W,55W,65W. 347-480 only available for 40W, 60W
² Only available with beam120°
³ Only available with Clear Glass & Clear PC
⁴ CRI 90 option – expect longer lead time.
⁵ No accessory required for Pendant & Ceiling Mount
⁶ RND-YOKE Pre-installed as standard

ORDERING INFORMATION (JUNCTION BOX MODELS)

EXAMPLE: RND2-7L-120-277-5K-60-H3-CG-GRY-J1-BAA



¹ 120-277 V AC only for J1 and J4, 120V AC only for J2 and J5, 208-277V AC only for J3 and J6.

² Only available with beam 120°

³ Only available with Clear Glass & Clear PC

⁴ CRI 90 option – expect longer lead time.

⁵ J1 - NPT-threaded Slip-Fit Junction box

J2 - NPT-threaded Slip-Fit Junction box + Sensor(120V)

J3 - NPT-threaded Slip-Fit Junction box + Sensor(208-277V)

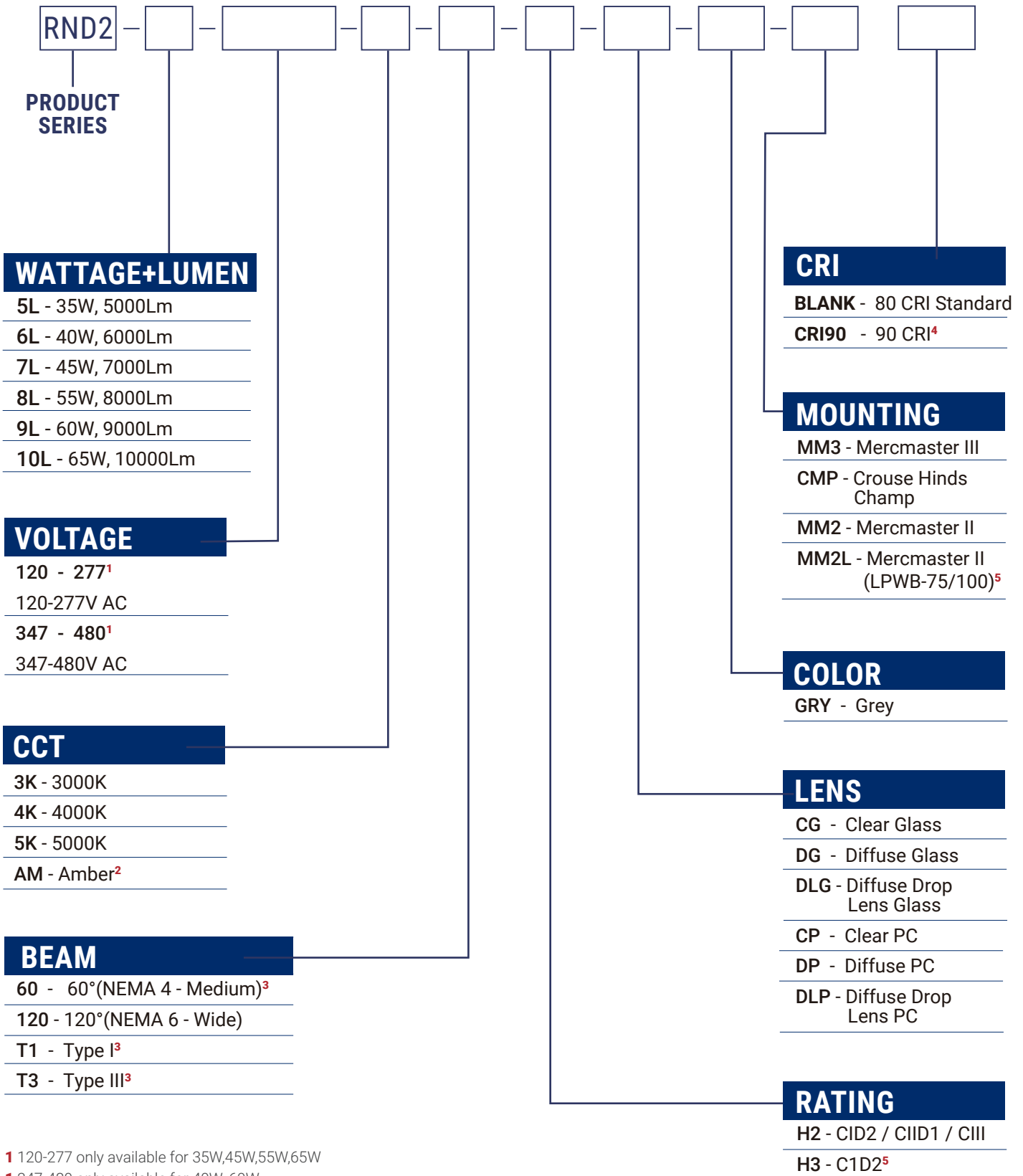
J4 - Non-threaded Slip-Fit Junction box

J5 - Non-threaded Slip-Fit Junction box + Sensor(120V)

J6 - Non-threaded Slip-Fit Junction box + Sensor(208-277V)

ORDERING INFORMATION (RETROFIT)

EXAMPLE: RND2-6L-120-277-5K-60-H3-CG-GRY-MM3



¹ 120-277 only available for 35W,45W,55W,65W

¹ 347-480 only available for 40W, 60W

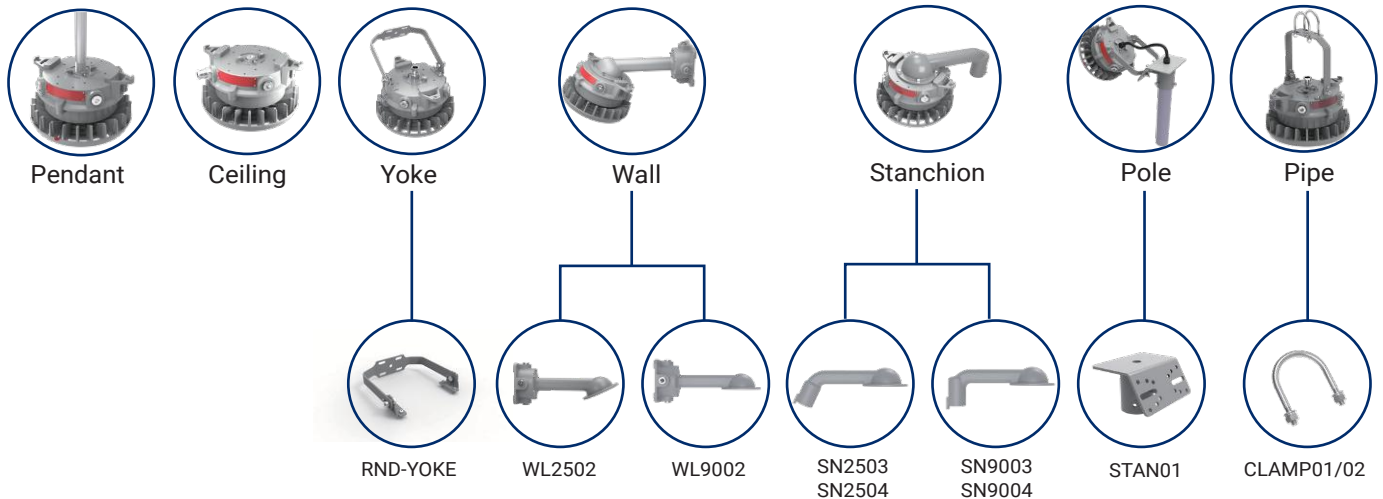
² Only available with Beam 120

³ Only available with Clear Glass & Clear PC

⁴ CRI90 expects longer leadtime

⁵ MM2L only available with H3, H3 only available for MM2L

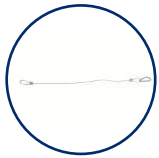
MOUNTING ACCESSORIES



Mounting Method	PN	Description	MPN Code
Yoke	RND-YOKE	Yoke Mount, SUS304, Powder-Coated Grey RAL 7037	210010007
Wall	WL2502	Wall Mount, 25 Degrees, Powder-Coated Grey RAL 7037	210010036
	WL9002	Wall Mount, 90 Degrees, Powder-Coated Grey RAL 7037	210010035
Stanchion	SN2503	Stanchion Mount, 25 Degree, NPT1-1/4, Power-Coated Grey RAL 7037	210010037
	SN2504	Stanchion Mount, 25 Degree, NPT1-1/2, Power-Coated Grey RAL 7037	210010038
	SN9003	Stanchion Mount, 90 Degree, NPT1-1/4, Power-Coated Grey RAL 7037	210010039
	SN9004	Stanchion Mount, 90 Degree, NPT1-1/2, Power-Coated Grey RAL 7037	210010040
Pole	STAN01*	Slip-Fit Stanchion Mount Kit for Φ 2 inch (2-3/8 inch OD, 60mm OD) Poles, Non-Threaded, SUS304, Powder-Coated Grey RAL 7037	210010031
Pipe	CLAMP01	Pipe Clamp Kit for Round Pole 1-7/8 inch OD (48 mm), SUS304	210010011
	CLAMP02	Pipe Clamp Kit for Round Pole 2-3/8 inch OD (60 mm), SUS304	210010010

* Requires A Yoke Mount

OTHER ACCESSORIES



SFCB02



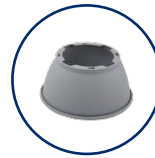
RND-WG



RND2-WGG



RND-VISO25



RND-VISO90



HOOK02



RF003-A-01

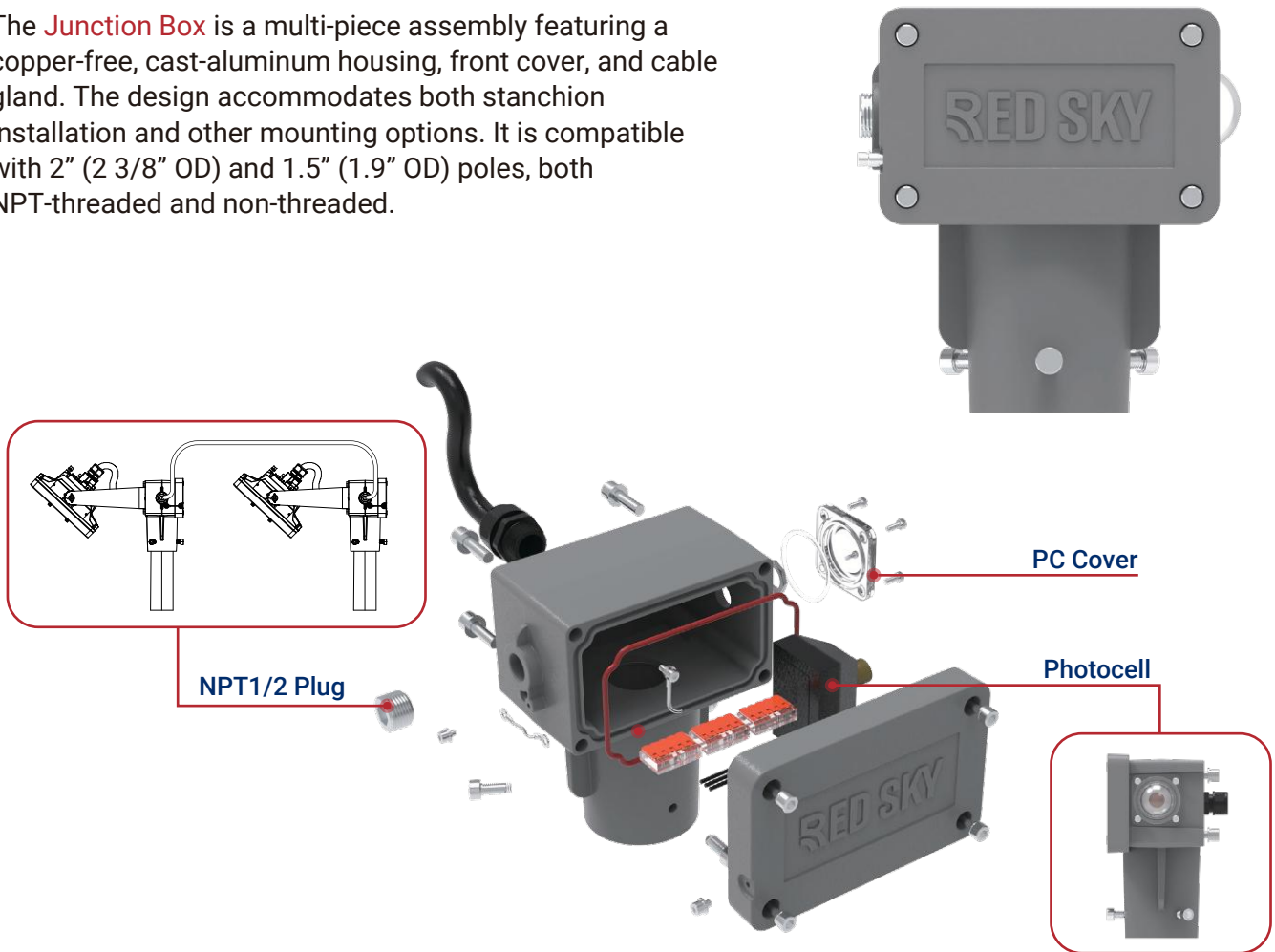


RF003-B-01

PN	Description	MPN Code
SFCB02	Safety Cable Kit, SUS304	210010094
RND-WG	Wire Guard, SUS304	210100104
RND2-WGG	Wire Guard for Globe Lens, SUS304	210100105
RND-VISO25	Visor, 25 Degrees, Aluminium Alloy, Powder-Coated Grey RAL 7037	210010088
RND-VISO90	Visor, 90 Degrees, Aluminium Alloy, Powder-Coated Grey RAL 7037	210010087
HOOK02	M10 Hook with 3/4 inch NPT Threads, SUS316	210010097
RF003-A-01	SUS304, 1 inch to 3/4 inch NPT for Pendant	210100106
RF003-B-01	SUS304, 1 inch to 3/4 inch NPT for Yoke & Ceiling & Wall	210100107
GLCO-03	3 ft Cord (SOOW 14 AWG × 3, 105 degrees Celsius, 600V) with Cable Gland	210010098
GLCO-10	10 ft Cord (SOOW 14 AWG × 3, 105 degrees Celsius, 600V) with Cable Gland	210010099

SLIP-FIT JUNCTION BOX

The **Junction Box** is a multi-piece assembly featuring a copper-free, cast-aluminum housing, front cover, and cable gland. The design accommodates both stanchion installation and other mounting options. It is compatible with 2" (2 3/8" OD) and 1.5" (1.9" OD) poles, both NPT-threaded and non-threaded.



FEATURES

- Weather-resistant finish suitable for wet locations and marine environments
- WAGO 211 lever connectors (5-pole, UL/CSA, 12-18 AWG) for easy, hassle-free wiring
- Wiring access cover with captive screws and a rear hub featuring NPT 1/2" threads for daisy-chain wiring
- Optional C1D2 Photocell Sensor built-in
- Ambient temperature range: -40°F ~ +140°F (-40°C ~ 60°C)
- Shock and vibration-resistant design

CERTIFICATIONS & RATINGS

UL844
UL1598
UL1598A
CSA C22.2 NO. 250.0
CSA C22.2 No. 137
Class I Division 2, Groups A, B, C, D
UL 1598 Wet Locations
UL 1598A Marine Outside Type (Salt Water)
IP66
IK10
Salt Spray 720 hrs (ASTM B117)

RETROFIT OPTIONS

Appleton® Mercmaster III



Pendant	Ceiling	Wall	Stanchion
KPA-75, 100	KPC-75	KPWB-75	KPS-125
KPAF-75, 100	KPC-100	KPWB-100	KPS-150
KPCH-75, 100			KPST-125
			KPST-150

Eaton's Crouse-Hinds-Champ®



Pendant	Ceiling	Wall	Stanchion	Quad Mount
APM2	CM2	TWM2	JM5	QM25
APM3	CM3	TWM3	PM5	
HPM2				

Appleton® Mercmaster II



Pendant	Ceiling	Wall	Stanchion
LPA-75	LPC-75	LPWB-75	LPS-125
LPA-100	LPC-100	LPWB-100	LPS-150

REPLACEMENT PARTS (ORDERED SEPARATELY)

Category	Part Number	Description	MPN Code
Driver	RND2-35-120-277-Driver	Replacement Driver Kit for RND2-35-120-277 Fixtures	303010028
	RND2-45-120-277-Driver	Replacement Driver Kit for RND2-45-120-277 Fixtures	303010029
	RND2-55-120-277-Driver	Replacement Driver Kit for RND2-55-120-277 Fixtures	303010030
	RND2-65-120-277-Driver	Replacement Driver Kit for RND2-65-120-277 Fixtures	303010031
	RND2-40-347-480-Driver	Replacement Driver Kit for RND2-40-347-480V Fixtures	303010032
	RND2-60-347-480-Driver	Replacement Driver Kit for RND2-60-347-480V Fixtures	303010033
Lens	CG002-A-01	Replacement Clear Glass Lens for RND2, RND X2	303030004
	DG002-A-01	Replacement Diffuse Glass Lens for RND2	303030005
	DLG002-A-01	Replacement Drop Glass Lens for RND2	303030006
	CP002-A-01	Replacement Clear PC Lens for RND2	303030033
	DP002-A-01	Replacement Diffuse PC Lens for RND2	303030034
	DLP002-A-01	Replacement Diffuse Drop Lens PC Diffuser for RND2	303030032
Junction Box(J1)	JB01	1.5" (1.9" OD) and 2"(2 3/8" OD) NPT-threaded Slip-Fit Junction box	210100116
Junction Box(J2)	JB02-P	1.5" (1.9" OD) and 2"(2 3/8" OD) NPT-threaded Slip-Fit Junction box + Sensor (120V)	210100117
Junction Box(J3)	JB03-P	1.5" (1.9" OD) and 2"(2 3/8" OD) NPT-threaded Slip-Fit Junction box + Sensor (208-277V)	210100118
Junction Box(J4)	JB04	1.5" (1.9" OD) and 2"(2 3/8" OD) Non-threaded Slip-Fit Junction box	210100119
Junction Box(J5)	JB05-P	1.5" (1.9" OD) and 2"(2 3/8" OD) Non-threaded Slip-Fit Junction box + Sensor (120V)	210100120
Junction Box(J6)	JB06-P	1.5" (1.9" OD) and 2"(2 3/8" OD) Non-threaded Slip-Fit Junction box + Sensor (208-277V)	210100121
Yoke(For JB)	JB002-A-01	RND2 Custom Bracket Assembly	210010058
Cord(For JB)	GLCO-03	3ft Cord (SOOW 14AWG*3, 105°C, 600V) with cable gland	210010098

LUMEN TABLE

Part Number	Wattage (W)	CCT	CRI	Beam	Lens	Lumen Output (Lm)	Efficiency (Lm/W)
Voltage 100-277VAC 80 CRI • STANDARD							
RND2-5L-120-277-5K-120-H2-CG-GRY-YKE	35	5000K	80	120°	Clear Glass	5,048	145
RND2-5L-120-277-5K-120-H2-CP-GRY-YKE	35	5000K	80	120°	Clear PC	5,058	144
RND2-5L-120-277-5K-120-H2-DG-GRY-YKE	35	5000K	80	120°	Diffuse Glass	4,521	129
RND2-5L-120-277-5K-120-H2-DP-GRY-YKE	35	5000K	80	120°	Diffuse PC	4,136	118
RND2-5L-120-277-5K-120-H2-DLG-GRY-YKE	35	5000K	80	120°	Drop Lens Glass	4,127	118
RND2-5L-120-277-5K-120-H2-DLP-GRY-YKE	35	5000K	80	120°	Drop Lens PC	3,852	110
RND2-5L-120-277-5K-60-H2-CG-GRY-YKE	35	5000K	80	60°	Clear Glass	5,348	152
RND2-5L-120-277-5K-60-H2-CP-GRY-YKE	35	5000K	80	60°	Clear PC	5,254	150
RND2-5L-120-277-5K-T1-H2-CG-GRY-YKE	35	5000K	80	T1	Clear Glass	5,414	153
RND2-5L-120-277-5K-T1-H2-CP-GRY-YKE	35	5000K	80	T1	Clear PC	5,161	146
RND2-5L-120-277-5K-T3-H2-CG-GRY-YKE	35	5000K	80	T3	Clear Glass	5,231	148
RND2-5L-120-277-5K-T3-H2-CP-GRY-YKE	35	5000K	80	T3	Clear PC	4,987	141
RND2-7L-120-277-5K-120-H2-CG-GRY-YKE	45	5000K	80	120°	Clear Glass	6,532	144
RND2-7L-120-277-5K-120-H2-CP-GRY-YKE	45	5000K	80	120°	Clear PC	6,340	142
RND2-7L-120-277-5K-120-H2-DG-GRY-YKE	45	5000K	80	120°	Diffuse Glass	5,863	128
RND2-7L-120-277-5K-120-H2-DP-GRY-YKE	45	5000K	80	120°	Diffuse PC	5,172	116
RND2-7L-120-277-5K-120-H2-DLG-GRY-YKE	45	5000K	80	120°	Drop Lens Glass	5,346	116
RND2-7L-120-277-5K-120-H2-DLP-GRY-YKE	45	5000K	80	120°	Drop Lens PC	4,821	108
RND2-7L-120-277-5K-60-H2-CG-GRY-YKE	45	5000K	80	60°	Clear Glass	6,915	150
RND2-7L-120-277-5K-60-H2-CP-GRY-YKE	45	5000K	80	60°	Clear PC	6,622	149
RND2-7L-120-277-5K-T1-H2-CG-GRY-YKE	45	5000K	80	T1	Clear Glass	6,848	151
RND2-7L-120-277-5K-T1-H2-CP-GRY-YKE	45	5000K	80	T1	Clear PC	6,519	145
RND2-7L-120-277-5K-T3-H2-CG-GRY-YKE	45	5000K	80	T3	Clear Glass	6,617	147
RND2-7L-120-277-5K-T3-H2-CP-GRY-YKE	45	5000K	80	T3	Clear PC	6,338	141
RND2-8L-120-277-5K-120-H2-CG-GRY-YKE	55	5000K	80	120°	Clear Glass	8,032	145
RND2-8L-120-277-5K-120-H2-CP-GRY-YKE	55	5000K	80	120°	Clear PC	7,889	142
RND2-8L-120-277-5K-120-H2-DG-GRY-YKE	55	5000K	80	120°	Diffuse Glass	7,138	129
RND2-8L-120-277-5K-120-H2-DP-GRY-YKE	55	5000K	80	120°	Diffuse PC	6,475	117
RND2-8L-120-277-5K-120-H2-DLG-GRY-YKE	55	5000K	80	120°	Drop Lens Glass	6,430	116
RND2-8L-120-277-5K-120-H2-DLP-GRY-YKE	55	5000K	80	120°	Drop Lens PC	6,007	108
RND2-8L-120-277-5K-60-H2-CG-GRY-YKE	55	5000K	80	60°	Clear Glass	8,447	153
RND2-8L-120-277-5K-60-H2-CP-GRY-YKE	55	5000K	80	60°	Clear PC	8,322	149
RND2-8L-120-277-5K-T1-H2-CG-GRY-YKE	55	5000K	80	T1	Clear Glass	8,228	149
RND2-8L-120-277-5K-T1-H2-CP-GRY-YKE	55	5000K	80	T1	Clear PC	7,818	142
RND2-8L-120-277-5K-T3-H2-CG-GRY-YKE	55	5000K	80	T3	Clear Glass	7,942	144
RND2-8L-120-277-5K-T3-H2-CP-GRY-YKE	55	5000K	80	T3	Clear PC	7,632	138
RND2-10L-120-277-5K-120-H2-CG-GRY-YKE	65	5000K	80	120°	Clear Glass	9,591	147
RND2-10L-120-277-5K-120-H2-CP-GRY-YKE	65	5000K	80	120°	Clear PC	9,164	141
RND2-10L-120-277-5K-120-H2-DG-GRY-YKE	65	5000K	80	120°	Diffuse Glass	8,528	131
RND2-10L-120-277-5K-120-H2-DP-GRY-YKE	65	5000K	80	120°	Diffuse PC	7,516	116
RND2-10L-120-277-5K-120-H2-DLG-GRY-YKE	65	5000K	80	120°	Drop Lens Glass	7,653	115
RND2-10L-120-277-5K-120-H2-DLP-GRY-YKE	65	5000K	80	120°	Drop Lens PC	7,042	108
RND2-10L-120-277-5K-60-H2-CG-GRY-YKE	65	5000K	80	60°	Clear Glass	9,981	154
RND2-10L-120-277-5K-60-H2-CP-GRY-YKE	65	5000K	80	60°	Clear PC	9,629	147
RND2-10L-120-277-5K-T1-H2-CG-GRY-YKE	65	5000K	80	T1	Clear Glass	9,582	148
RND2-10L-120-277-5K-T1-H2-CP-GRY-YKE	65	5000K	80	T1	Clear PC	9,140	141
RND2-10L-120-277-5K-T3-H2-CG-GRY-YKE	65	5000K	80	T3	Clear Glass	9,442	144
RND2-10L-120-277-5K-T3-H2-CP-GRY-YKE	65	5000K	80	T3	Clear PC	8,892	136

This table lists only selected lumen packages. For additional model parameters, please contact our sales team.
 Note: LXX# = nominal lumens. Verify lumen package before ordering.

LUMEN TABLE

Part Number	Wattage (W)	CCT	CRI	Beam	Lens	Lumen Output (Lm)	Efficiency (Lm/W)
Voltage 347-480VAC 80 CRI • STANDARD							
RND2-6L-347-480-5K-120-H2-CG-GRY-YKE	40	5000K	80	120°	Clear Glass	5,617	141
RND2-6L-347-480-5K-120-H2-CP-GRY-YKE	40	5000K	80	120°	Clear PC	5,616	138
RND2-6L-347-480-5K-120-H2-DG-GRY-YKE	40	5000K	80	120°	Diffuse Glass	5,049	125
RND2-6L-347-480-5K-120-H2-DP-GRY-YKE	40	5000K	80	120°	Diffuse PC	4,626	114
RND2-6L-347-480-5K-120-H2-DLG-GRY-YKE	40	5000K	80	120°	Drop Lens Glass	4,592	114
RND2-6L-347-480-5K-120-H2-DLP-GRY-YKE	40	5000K	80	120°	Drop Lens PC	4,319	106
RND2-6L-347-480-5K-60-H2-CG-GRY-YKE	40	5000K	80	60°	Clear Glass	5,940	148
RND2-6L-347-480-5K-60-H2-CP-GRY-YKE	40	5000K	80	60°	Clear PC	5,780	144
RND2-6L-347-480-5K-T1-H2-CG-GRY-YKE	40	5000K	80	T1	Clear Glass	6,054	146
RND2-6L-347-480-5K-T1-H2-CP-GRY-YKE	40	5000K	80	T1	Clear PC	5,742	139
RND2-6L-347-480-5K-T3-H2-CG-GRY-YKE	40	5000K	80	T3	Clear Glass	5,867	142
RND2-6L-347-480-5K-T3-H2-CP-GRY-YKE	40	5000K	80	T3	Clear PC	5,583	135
RND2-9L-347-480-5K-120-H2-CG-GRY-YKE	60	5000K	80	120°	Clear Glass	8,901	150
RND2-9L-347-480-5K-120-H2-CP-GRY-YKE	60	5000K	80	120°	Clear PC	8,726	145
RND2-9L-347-480-5K-120-H2-DG-GRY-YKE	60	5000K	80	120°	Diffuse Glass	8,117	132
RND2-9L-347-480-5K-120-H2-DP-GRY-YKE	60	5000K	80	120°	Diffuse PC	7,111	119
RND2-9L-347-480-5K-120-H2-DLG-GRY-YKE	60	5000K	80	120°	Drop Lens Glass	7,353	119
RND2-9L-347-480-5K-120-H2-DLP-GRY-YKE	60	5000K	80	120°	Drop Lens PC	6,675	111
RND2-9L-347-480-5K-60-H2-CG-GRY-YKE	60	5000K	80	60°	Clear Glass	9,359	157
RND2-9L-347-480-5K-60-H2-CP-GRY-YKE	60	5000K	80	60°	Clear PC	9,156	152
RND2-9L-347-480-5K-T1-H2-CG-GRY-YKE	60	5000K	80	T1	Clear Glass	9,327	153
RND2-9L-347-480-5K-T1-H2-CP-GRY-YKE	60	5000K	80	T1	Clear PC	8,890	146
RND2-9L-347-480-5K-T3-H2-CG-GRY-YKE	60	5000K	80	T3	Clear Glass	9,072	149
RND2-9L-347-480-5K-T3-H2-CP-GRY-YKE	60	5000K	80	T3	Clear PC	8,594	141

This table lists only selected lumen packages. For additional model parameters, please contact our sales team.
 Note: LXX# = nominal lumens. Verify lumen package before ordering.

Part Number	Wattage (W)	CCT	CRI	Beam	Lens	Lumen Output (Lm)	Efficiency (Lm/W)
Voltage 100-277VAC 90 CRI • STANDARD							
RND2-5L-120-277-5K-120-H2-CG-GRY-YKE CRI90	35	5000K	90	120°	Clear Glass	4,149	119
RND2-5L-120-277-5K-120-H2-CP-GRY-YKE CRI90	35	5000K	90	120°	Clear PC	4,158	118
RND2-5L-120-277-5K-120-H2-DG-GRY-YKE CRI90	35	5000K	90	120°	Diffuse Glass	3,716	106
RND2-5L-120-277-5K-120-H2-DP-GRY-YKE CRI90	35	5000K	90	120°	Diffuse PC	3,400	97
RND2-5L-120-277-5K-120-H2-DLG-GRY-YKE CRI90	35	5000K	90	120°	Drop Lens Glass	3,392	97
RND2-5L-120-277-5K-120-H2-DLP-GRY-YKE CRI90	35	5000K	90	120°	Drop Lens PC	3,166	90
RND2-5L-120-277-5K-60-H2-CG-GRY-YKE CRI90	35	5000K	90	60°	Clear Glass	4,396	125
RND2-5L-120-277-5K-60-H2-CP-GRY-YKE CRI90	35	5000K	90	60°	Clear PC	4,319	123
RND2-5L-120-277-5K-T1-H2-CG-GRY-YKE CRI90	35	5000K	90	T1	Clear Glass	4,450	126
RND2-5L-120-277-5K-T1-H2-CP-GRY-YKE CRI90	35	5000K	90	T1	Clear PC	4,242	120
RND2-5L-120-277-5K-T3-H2-CG-GRY-YKE CRI90	35	5000K	90	T3	Clear Glass	4,300	122
RND2-5L-120-277-5K-T3-H2-CP-GRY-YKE CRI90	35	5000K	90	T3	Clear PC	4,099	116
RND2-7L-120-277-5K-120-H2-CG-GRY-YKE CRI90	45	5000K	90	120°	Clear Glass	5,369	118
RND2-7L-120-277-5K-120-H2-CP-GRY-YKE CRI90	45	5000K	90	120°	Clear PC	5,211	117
RND2-7L-120-277-5K-120-H2-DG-GRY-YKE CRI90	45	5000K	90	120°	Diffuse Glass	4,819	105
RND2-7L-120-277-5K-120-H2-DP-GRY-YKE CRI90	45	5000K	90	120°	Diffuse PC	4,251	95
RND2-7L-120-277-5K-120-H2-DLG-GRY-YKE CRI90	45	5000K	90	120°	Drop Lens Glass	4,394	95
RND2-7L-120-277-5K-120-H2-DLP-GRY-YKE CRI90	45	5000K	90	120°	Drop Lens PC	3,963	89
RND2-7L-120-277-5K-60-H2-CG-GRY-YKE CRI90	45	5000K	90	60°	Clear Glass	5,684	123
RND2-7L-120-277-5K-60-H2-CP-GRY-YKE CRI90	45	5000K	90	60°	Clear PC	5,443	122
RND2-7L-120-277-5K-T1-H2-CG-GRY-YKE CRI90	45	5000K	90	T1	Clear Glass	5,629	124
RND2-7L-120-277-5K-T1-H2-CP-GRY-YKE CRI90	45	5000K	90	T1	Clear PC	5,359	119
RND2-7L-120-277-5K-T3-H2-CG-GRY-YKE CRI90	45	5000K	90	T3	Clear Glass	5,439	121
RND2-7L-120-277-5K-T3-H2-CP-GRY-YKE CRI90	45	5000K	90	T3	Clear PC	5,210	116
RND2-8L-120-277-5K-120-H2-CG-GRY-YKE CRI90	55	5000K	90	120°	Clear Glass	6,602	119
RND2-8L-120-277-5K-120-H2-CP-GRY-YKE CRI90	55	5000K	90	120°	Clear PC	6,485	117
RND2-8L-120-277-5K-120-H2-DG-GRY-YKE CRI90	55	5000K	90	120°	Diffuse Glass	5,867	106
RND2-8L-120-277-5K-120-H2-DP-GRY-YKE CRI90	55	5000K	90	120°	Diffuse PC	5,322	96
RND2-8L-120-277-5K-120-H2-DLG-GRY-YKE CRI90	55	5000K	90	120°	Drop Lens Glass	5,285	95
RND2-8L-120-277-5K-120-H2-DLP-GRY-YKE CRI90	55	5000K	90	120°	Drop Lens PC	4,938	89
RND2-8L-120-277-5K-60-H2-CG-GRY-YKE CRI90	55	5000K	90	60°	Clear Glass	6,943	126
RND2-8L-120-277-5K-60-H2-CP-GRY-YKE CRI90	55	5000K	90	60°	Clear PC	6,841	122
RND2-8L-120-277-5K-T1-H2-CG-GRY-YKE CRI90	55	5000K	90	T1	Clear Glass	6,763	122
RND2-8L-120-277-5K-T1-H2-CP-GRY-YKE CRI90	55	5000K	90	T1	Clear PC	6,426	117
RND2-8L-120-277-5K-T3-H2-CG-GRY-YKE CRI90	55	5000K	90	T3	Clear Glass	6,528	118
RND2-8L-120-277-5K-T3-H2-CP-GRY-YKE CRI90	55	5000K	90	T3	Clear PC	6,274	113
RND2-10L-120-277-5K-120-H2-CG-GRY-YKE CRI90	65	5000K	90	120°	Clear Glass	7,884	121
RND2-10L-120-277-5K-120-H2-CP-GRY-YKE CRI90	65	5000K	90	120°	Clear PC	7,533	116
RND2-10L-120-277-5K-120-H2-DG-GRY-YKE CRI90	65	5000K	90	120°	Diffuse Glass	7,010	108
RND2-10L-120-277-5K-120-H2-DP-GRY-YKE CRI90	65	5000K	90	120°	Diffuse PC	6,178	95
RND2-10L-120-277-5K-120-H2-DLG-GRY-YKE CRI90	65	5000K	90	120°	Drop Lens Glass	6,291	95
RND2-10L-120-277-5K-120-H2-DLP-GRY-YKE CRI90	65	5000K	90	120°	Drop Lens PC	5,789	89
RND2-10L-120-277-5K-60-H2-CG-GRY-YKE CRI90	65	5000K	90	60°	Clear Glass	8,204	127
RND2-10L-120-277-5K-60-H2-CP-GRY-YKE CRI90	65	5000K	90	60°	Clear PC	7,915	121
RND2-10L-120-277-5K-T1-H2-CG-GRY-YKE CRI90	65	5000K	90	T1	Clear Glass	7,876	122
RND2-10L-120-277-5K-T1-H2-CP-GRY-YKE CRI90	65	5000K	90	T1	Clear PC	7,513	116
RND2-10L-120-277-5K-T3-H2-CG-GRY-YKE CRI90	65	5000K	90	T3	Clear Glass	7,761	118
RND2-10L-120-277-5K-T3-H2-CP-GRY-YKE CRI90	65	5000K	90	T3	Clear PC	7,309	112

This table lists only selected lumen packages. For additional model parameters, please contact our sales team.
 Note: LXX# = nominal lumens. Verify lumen package before ordering.

LUMEN TABLE

Part Number	Wattage (W)	CCT	CRI	Beam	Lens	Lumen Output (Lm)	Efficiency (Lm/W)
Voltage 347-480VAC 90 CRI • STANDARD							
RND2-6L-347-480-5K-120-H2-CG-GRY-YKE CRI90	40	5000K	90	120°	Clear Glass	4,617	116
RND2-6L-347-480-5K-120-H2-CP-GRY-YKE CRI90	40	5000K	90	120°	Clear PC	4616	113
RND2-6L-347-480-5K-120-H2-DG-GRY-YKE CRI90	40	5000K	90	120°	Diffuse Glass	4150	103
RND2-6L-347-480-5K-120-H2-DP-GRY-YKE CRI90	40	5000K	90	120°	Diffuse PC	3803	94
RND2-6L-347-480-5K-120-H2-DLG-GRY-YKE CRI90	40	5000K	90	120°	Drop Lens Glass	3775	94
RND2-6L-347-480-5K-120-H2-DLP-GRY-YKE CRI90	40	5000K	90	120°	Drop Lens PC	3550	87
RND2-6L-347-480-5K-60-H2-CG-GRY-YKE CRI90	40	5000K	90	60°	Clear Glass	4883	122
RND2-6L-347-480-5K-60-H2-CP-GRY-YKE CRI90	40	5000K	90	60°	Clear PC	4751	118
RND2-6L-347-480-5K-T1-H2-CG-GRY-YKE CRI90	40	5000K	90	T1	Clear Glass	4976	120
RND2-6L-347-480-5K-T1-H2-CP-GRY-YKE CRI90	40	5000K	90	T1	Clear PC	4720	114
RND2-6L-347-480-5K-T3-H2-CG-GRY-YKE CRI90	40	5000K	90	T3	Clear Glass	4823	117
RND2-6L-347-480-5K-T3-H2-CP-GRY-YKE CRI90	40	5000K	90	T3	Clear PC	4589	111
RND2-9L-347-480-5K-120-H2-CG-GRY-YKE CRI90	60	5000K	90	120°	Clear Glass	7,317	123
RND2-9L-347-480-5K-120-H2-CP-GRY-YKE CRI90	60	5000K	90	120°	Clear PC	7173	119
RND2-9L-347-480-5K-120-H2-DG-GRY-YKE CRI90	60	5000K	90	120°	Diffuse Glass	6672	109
RND2-9L-347-480-5K-120-H2-DP-GRY-YKE CRI90	60	5000K	90	120°	Diffuse PC	5845	98
RND2-9L-347-480-5K-120-H2-DLG-GRY-YKE CRI90	60	5000K	90	120°	Drop Lens Glass	6044	98
RND2-9L-347-480-5K-120-H2-DLP-GRY-YKE CRI90	60	5000K	90	120°	Drop Lens PC	5487	91
RND2-9L-347-480-5K-60-H2-CG-GRY-YKE CRI90	60	5000K	90	60°	Clear Glass	7693	129
RND2-9L-347-480-5K-60-H2-CP-GRY-YKE CRI90	60	5000K	90	60°	Clear PC	7526	125
RND2-9L-347-480-5K-T1-H2-CG-GRY-YKE CRI90	60	5000K	90	T1	Clear Glass	7667	126
RND2-9L-347-480-5K-T1-H2-CP-GRY-YKE CRI90	60	5000K	90	T1	Clear PC	7308	120
RND2-9L-347-480-5K-T3-H2-CG-GRY-YKE CRI90	60	5000K	90	T3	Clear Glass	7457	122
RND2-9L-347-480-5K-T3-H2-CP-GRY-YKE CRI90	60	5000K	90	T3	Clear PC	7064	116

This table lists only selected lumen packages. For additional model parameters, please contact our sales team.
 Note: LXX# = nominal lumens. Verify lumen package before ordering.

LUMEN TABLE

Part Number	Wattage (W)	CCT	CRI	Beam	Lens	Lumen Output (Lm)	Efficiency (Lm/W)
Voltage 100-277VAC 70 CRI							
RND2-35-120-277-5K-120-H2-CG-GRY-YKE CRI70	35	5000K	70	120°	Clear Glass	5,295	160
RND2-35-120-277-5K-120-H2-DG-GRY-YKE CRI70	35	5000K	70	120°	Diffuse Glass	4,755	144
RND2-35-120-277-5K-120-H2-DLG-GRY-YKE CRI70	35	5000K	70	120°	Drop Lens Glass	4,775	144
RND2-35-120-277-5K-60-H2-CG-GRY-YKE CRI70	35	5000K	70	60°	Clear Glass	5,541	167
RND2-45-120-277-5K-120-H2-CG-GRY-YKE CRI70	45	5000K	70	120°	Clear Glass	6,751	159
RND2-45-120-277-5K-120-H2-DG-GRY-YKE CRI70	45	5000K	70	120°	Diffuse Glass	6,070	143
RND2-45-120-277-5K-120-H2-DLG-GRY-YKE CRI70	45	5000K	70	120°	Drop Lens Glass	6,063	142
RND2-45-120-277-5K-60-H2-CG-GRY-YKE CRI70	45	5000K	70	60°	Clear Glass	7,050	166
RND2-55-120-277-5K-120-H2-CG-GRY-YKE CRI70	55	5000K	70	120°	Clear Glass	8,789	162
RND2-55-120-277-5K-120-H2-DG-GRY-YKE CRI70	55	5000K	70	120°	Diffuse Glass	7,907	146
RND2-55-120-277-5K-120-H2-DLG-GRY-YKE CRI70	55	5000K	70	120°	Drop Lens Glass	7,901	146
RND2-55-120-277-5K-60-H2-CG-GRY-YKE CRI70	55	5000K	70	60°	Clear Glass	9,268	171
RND2-65-120-277-5K-120-H2-CG-GRY-YKE CRI70	65	5000K	70	120°	Clear Glass	10,758	159
RND2-65-120-277-5K-120-H2-DG-GRY-YKE CRI70	65	5000K	70	120°	Diffuse Glass	9,635	143
RND2-65-120-277-5K-120-H2-DLG-GRY-YKE CRI70	65	5000K	70	120°	Drop Lens Glass	9,632	143
RND2-65-120-277-5K-60-H2-CG-GRY-YKE CRI70	65	5000K	70	60°	Clear Glass	11,315	167
Voltage 347-480VAC 70 CRI							
RND2-40-347-480-5K-120-H2-CG-GRY-YKE CRI70	40	5000K	70	120°	Clear Glass	6,366	154
RND2-40-347-480-5K-120-H2-DG-GRY-YKE CRI70	40	5000K	70	120°	Diffuse Glass	5,728	139
RND2-40-347-480-5K-120-H2-DLG-GRY-YKE CRI70	40	5000K	70	120°	Drop Lens Glass	5,759	139
RND2-40-347-480-5K-60-H2-CG-GRY-YKE CRI70	40	5000K	70	60°	Clear Glass	6,697	162
RND2-60-347-480-5K-120-H2-CG-GRY-YKE CRI70	60	5000K	70	120°	Clear Glass	10,154	167
RND2-60-347-480-5K-120-H2-DG-GRY-YKE CRI70	60	5000K	70	120°	Diffuse Glass	8,998	148
RND2-60-347-480-5K-120-H2-DLG-GRY-YKE CRI70	60	5000K	70	120°	Drop Lens Glass	9,083	149
RND2-60-347-480-5K-60-H2-CG-GRY-YKE CRI70	60	5000K	70	60°	Clear Glass	10,652	175

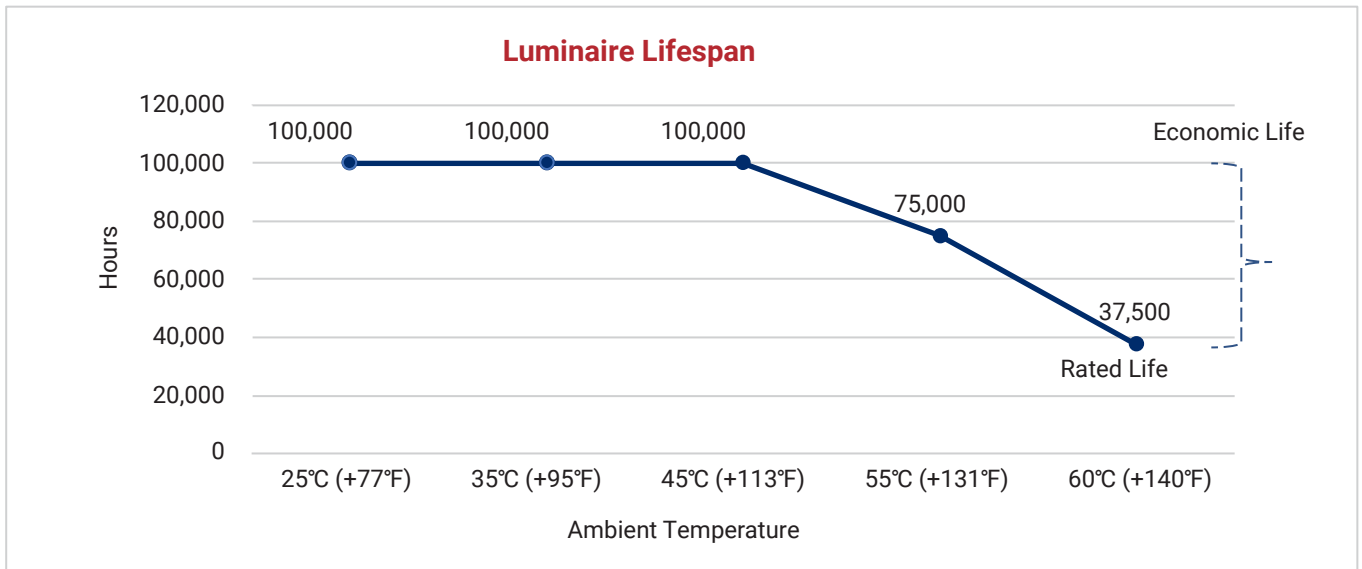
This table lists only selected lumen packages. For additional model parameters, please contact our sales team.
 Note: LXX# = nominal lumens. Verify lumen package before ordering.

LUMEN MAINTENANCE

Hours Ambient	0	15,000	30,000	45,000	60,000	75,000	90,000	100,000	150,000
25°C	100%	97%	94%	91%	87%	84%	81%	79%	70%
35°C	100%	97%	94%	91%	87%	84%	81%	79%	70%
45°C	100%	97%	94%	91%	87%	84%	81%	79%	70%
55°C	100%	97%	93%	89%	86%	82%	79%	77%	67%
60°C	100%	97%	93%	89%	85%	81%	78%	76%	66%

LUMINAIRE LIFESPAN

Ambient Temperature	Luminaire Lifespan (Hours)	Rated Service Life - Years (24/7 Operation)	Rated Service Life - Years (12/7 Operation)
25°C (+77°F)	100,000	11	23
35°C (+95°F)	100,000	11	23
45°C (+113°F)	100,000	11	23
55°C (+131°F)	75,000	9	17
60°C (+140°F)	37,500	4	9



Information shown for reference only and may vary by configuration.

A DIRECT RETROFIT FROM HID TO LED

The RND series LED is easy to retrofit in the same configuration as your existing HID luminaires. For example, a 65-watt Round (RND2-65) delivers virtually the same illumination as its equivalent 200 watt Metal Halide luminaire while providing 80% reduction in energy costs and up to 148,000 hours of continuous operation.








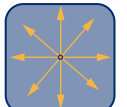
MODELS	Lumen Output (Lm)	MH Equivalent (W)	HPS Equivalent (W)
RND2-5L	5,048	150	150
RND2-7L	6,532	175	225
RND2-8L	7,982	200	225
RND2-10L	9,591	200	250

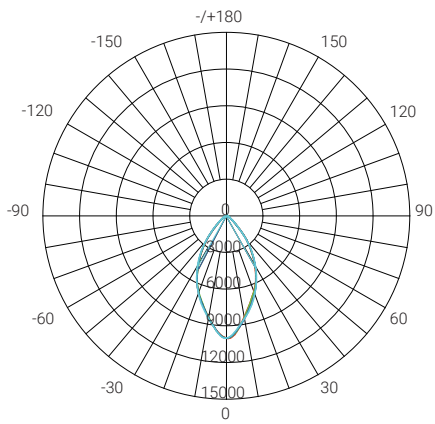
THE RIGHT BEAM PATTERN FOR YOUR APPLICATION

RSL optic package is engineered to deliver maximum footcandles efficiently where you need them, without wasted light or overspill.

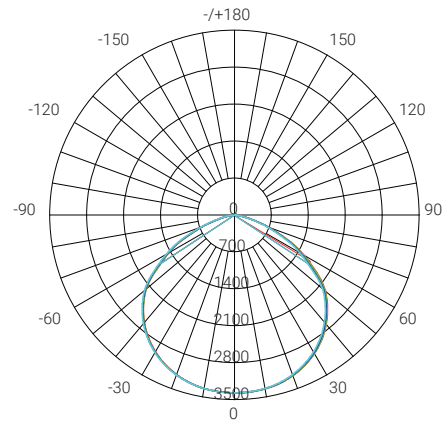
RSL offers complimentary lighting design services for our products using industry-leading AGI32 software, tailored for projects of all sizes in harsh and hazardous locations. We assist you in determining the number of fixtures needed, the types of lights to use, their optimal placement, and how to maximize energy savings—all within budget.

Simply fill out the form (<https://dev.redskylighting.com/lighting-design>) with a few key details, request a layout, and we'll bring your ideas to life within 2-5 business days.

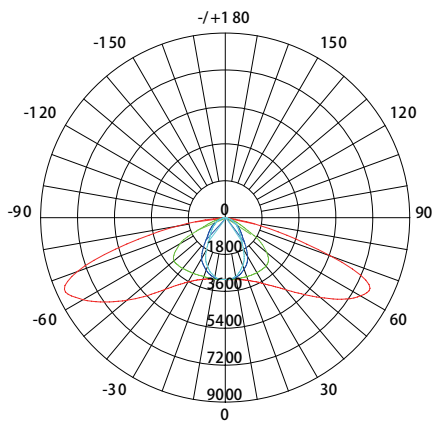
Beam	NEMA/IESNA Type	Beam Description	Beam Projection Distance
30°	NEMA 3	Medium Narrow	
60°	NEMA 4	Medium	
90°	NEMA 5	Medium Wide	
120°	NEMA 6	Wide	
T1	Type I	Asymmetric distributions, well suited for narrow areas, such as Conveyor belts, Aisleways, Catwalks, Loading docks and Tunnels.	
T2	Type II	Asymmetric distributions, well suited for narrow areas, such as roadways, paths and driveways.	
T3	Type III	Asymmetric distributions, well suited for site / area perimeters, wide roadways, and open areas.	
T5	NEMA 7 Type V (Square)	Very Wide: symmetrical pattern with excellent uniformity for large, open areas.	



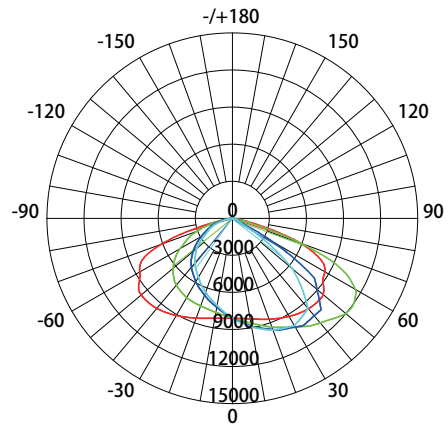
**60°
NEMA 4 - Medium**



**120°
NEMA 6 - Wide**

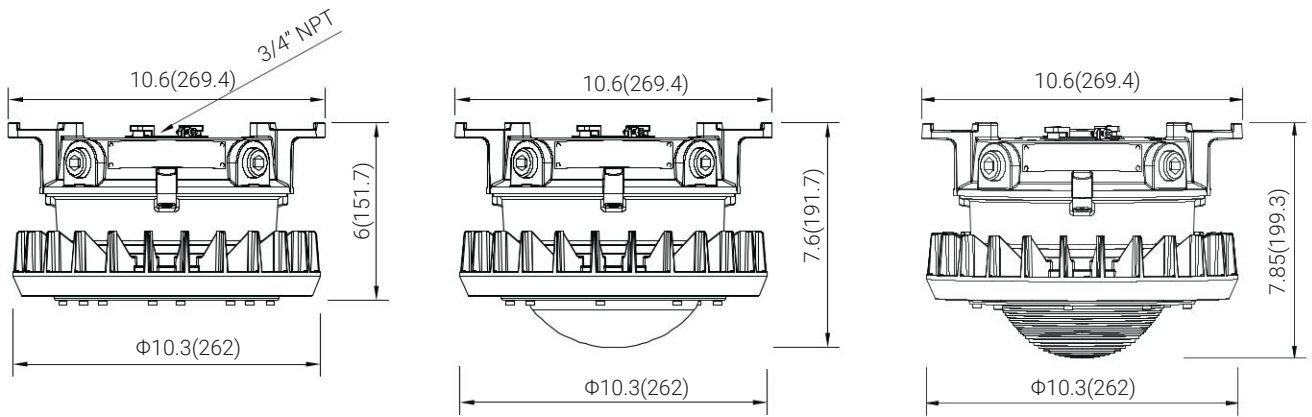


Type I

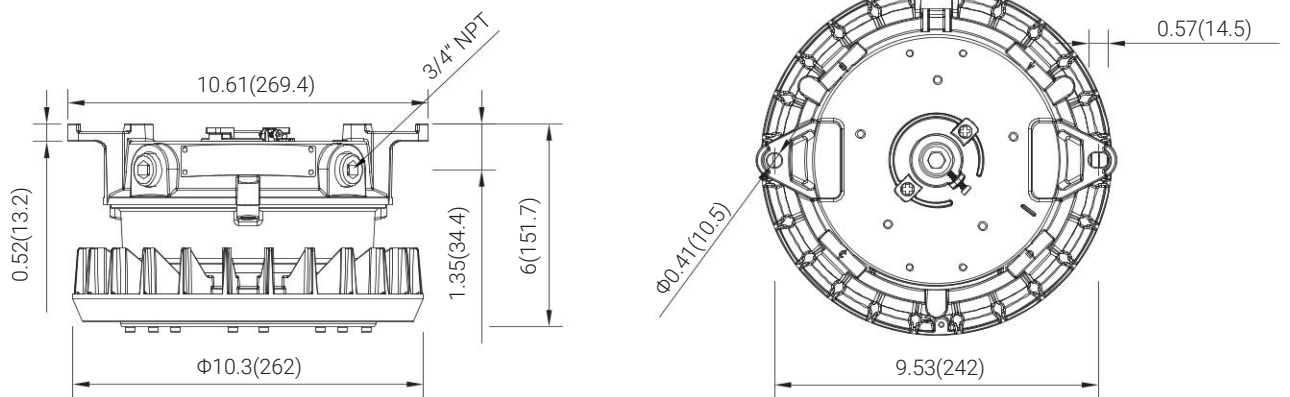


Type III

unit: in(mm)

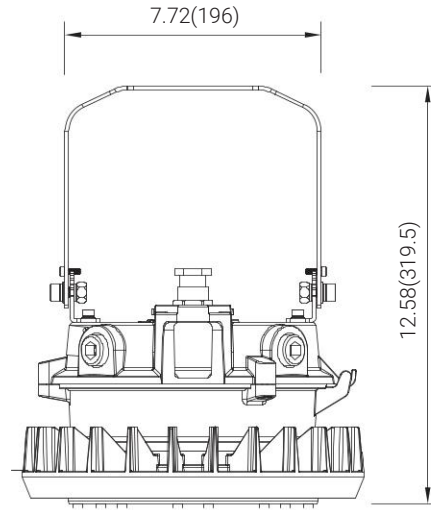
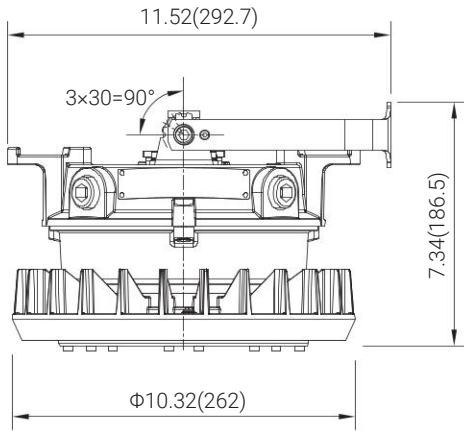
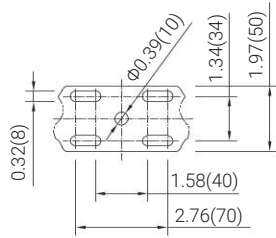


Pendant

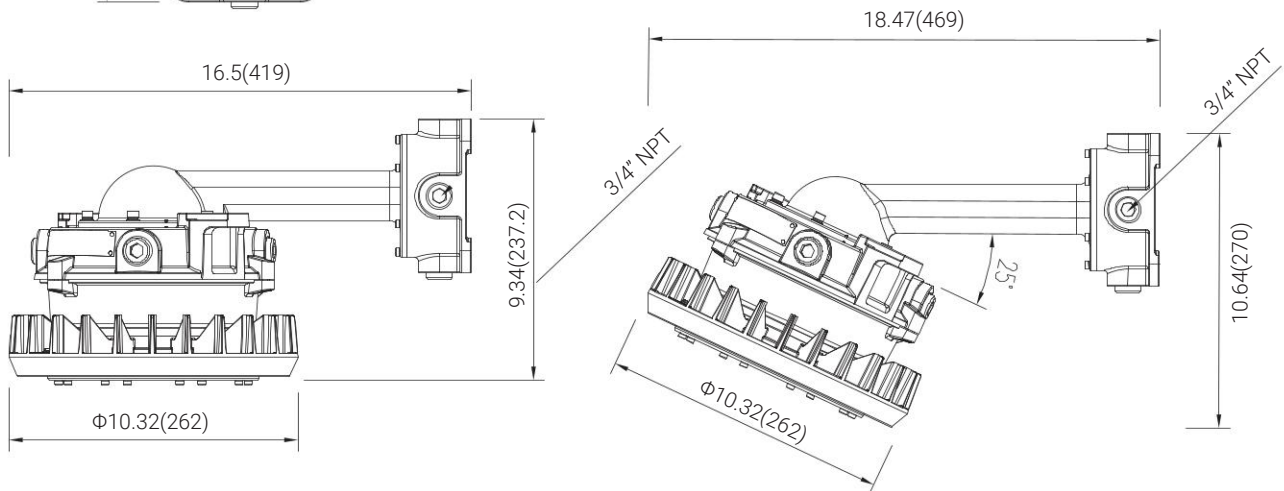
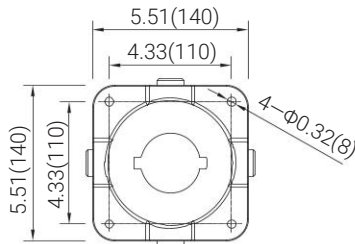


Ceiling

unit: in(mm)

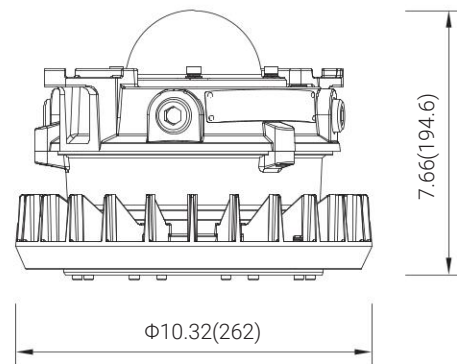
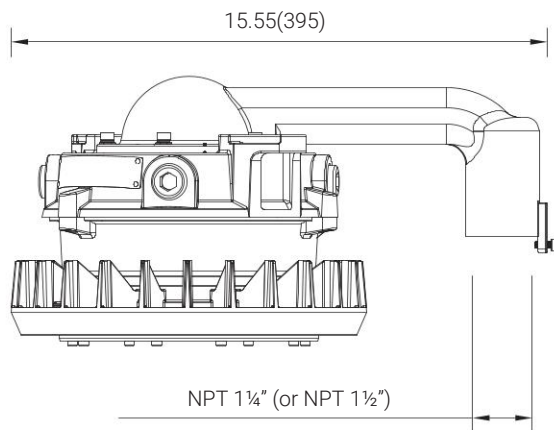
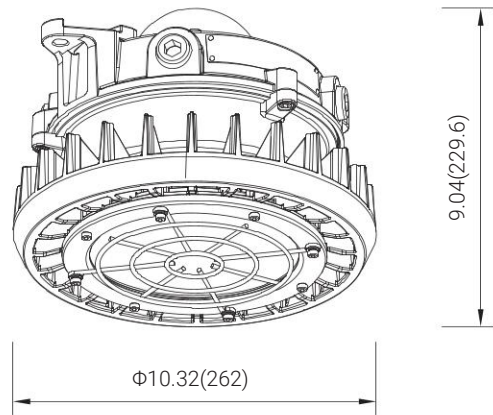
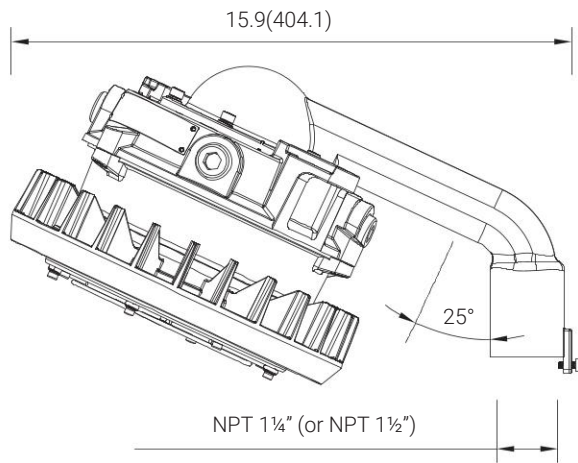


Yoke



Wall

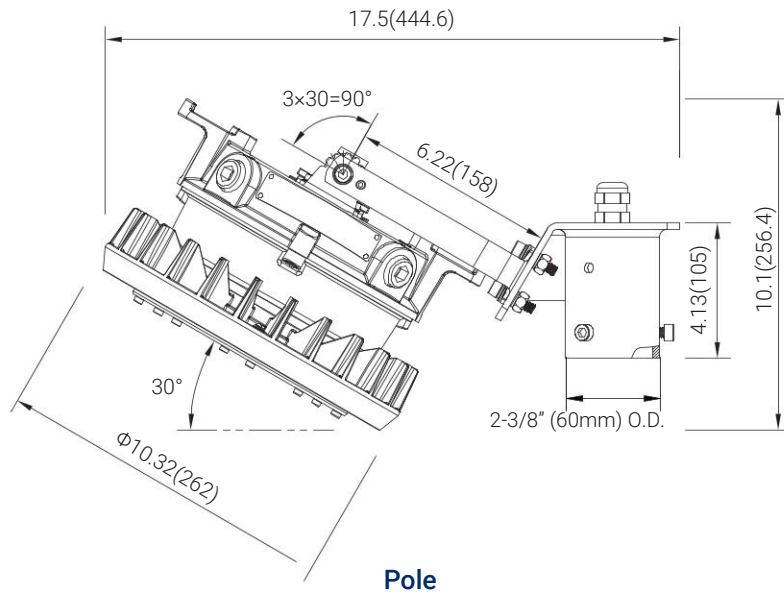
unit: in(mm)



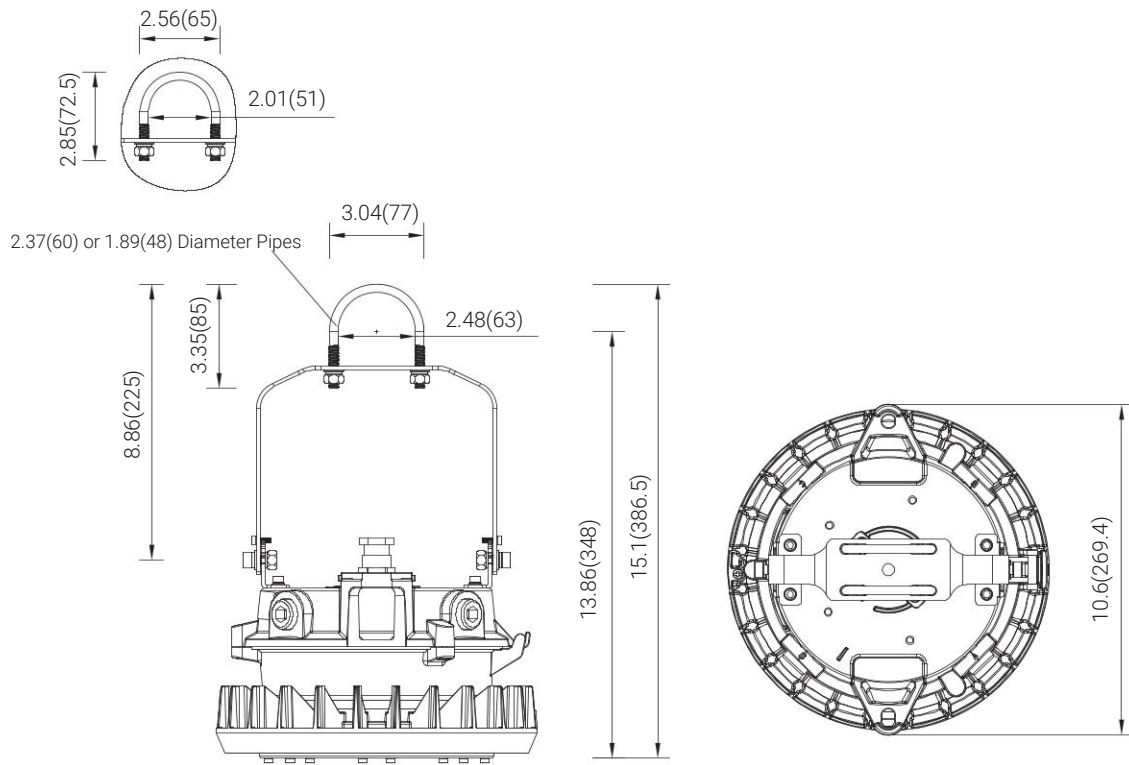
Stanchion

DIMENSIONS

unit: in(mm)



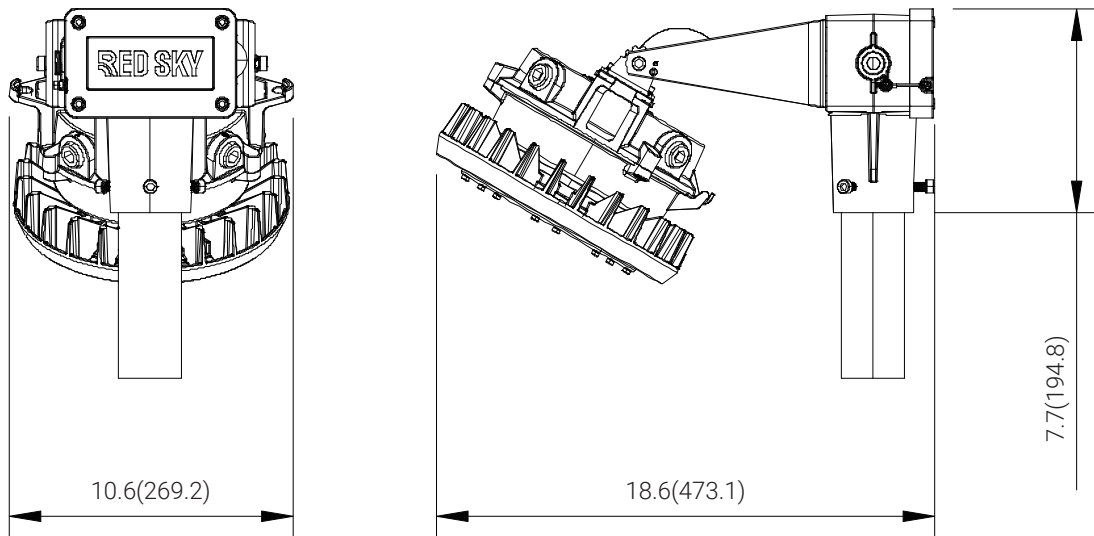
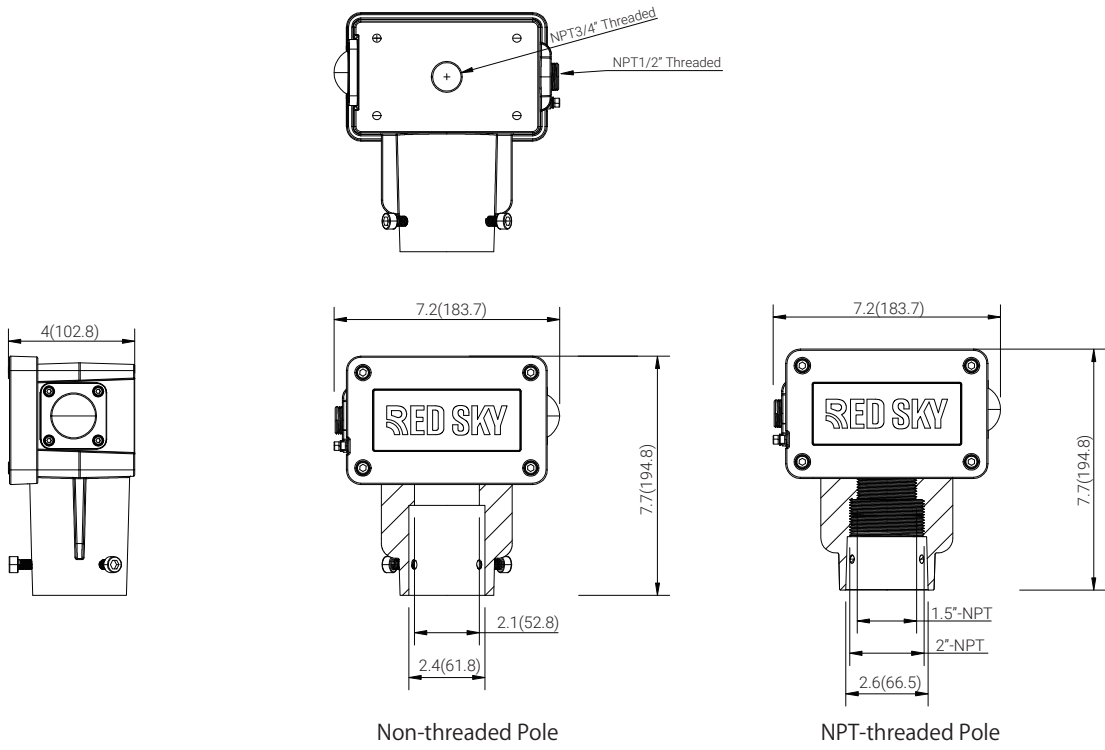
Pole



Pipe

DIMENSIONS

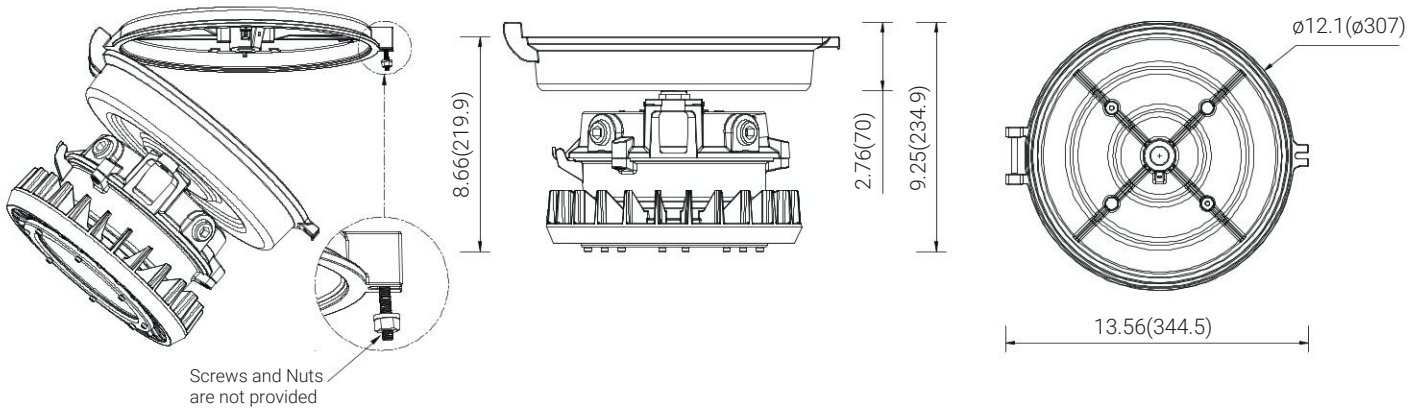
unit: in(mm)



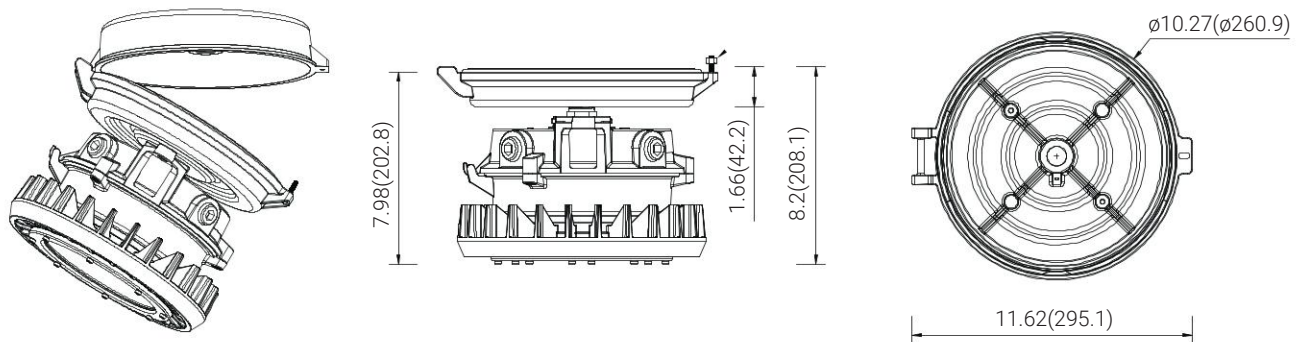
Junction Box

PRODUCTS ACCOMMODATED

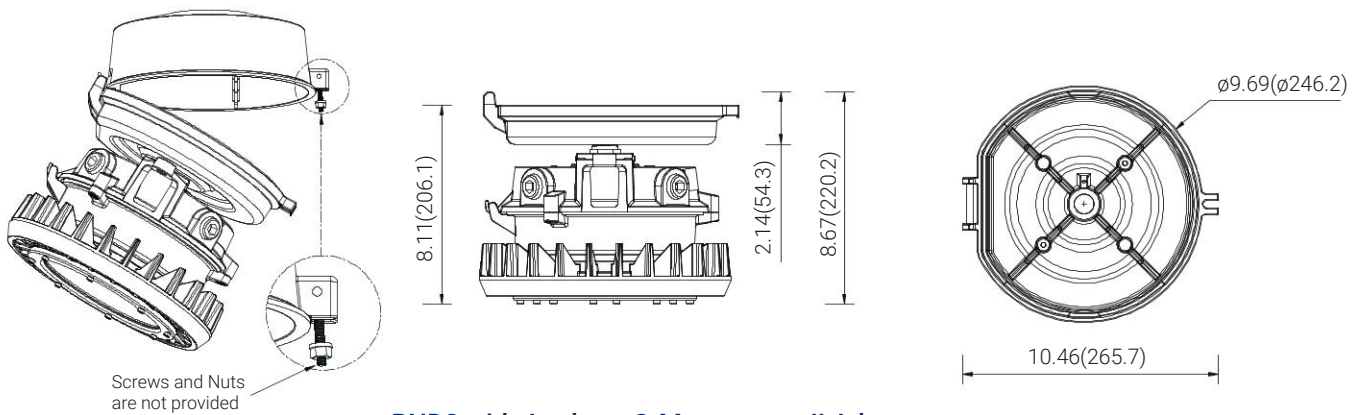
unit: in (mm)



RND2 with Appleton® Mercmaster III Adapter



RND2 with Crouse-Hinds – Champ® Adapter



RND2 with Appleton® Mercmaster II Adapter

HAZARDOUS LOCATION LIGHTING BASICS

Atmosphere Groups

Temperature Classification

Substance	Hazard Class	Division Groups	Zone Groups	Max. Surface Temperatures	NEC® 500 CEC®	NEC® 505/IEC-Group II
Acetylene	Class I Flammable Gases	Group A	IIC	450°C(842°F)	T1	T1
Hydrogen		Group B	IIC	300°C(572°F)	T2	
Ethylene		Group C	IIB	280°C(536°F)	T2A	T2
Propane		Group D	IIA	260°C(500°F)	T2B	
Methane		Group D	IIA ²	230°C(446°F)	T2C	
Combustible Metal Dusts	Group E ¹	IIIC ³	215°C(419°F)	T2D		
Combustible Carbonaceous Dust	Class II Combustible Dusts	Group F	IIIB ³	200°C(392°F)	T3	T3
Combustible Dusts not in Group E or F (Flour, Grain, Wood, Plastics, Chemicals)		Group G	IIIB ³	180°C(256°F)	T3A	
Combustible Fibers and Flyings		Not Applicable	IIIA ³	165°C(329°F)	T3B	
				160°C(320°F)	T3C	
				135°C(275°F)	T4	T4
				120°C(248°F)	T4A	
				100°C(212°F)	T5	T5
				85°C(185°F)	T6	T6

Note 1: Group E is applicable to Class II, Division 1 only.
 Note 2: Methane is a Group IIA Gas for non-mining applications.
 Note 3: Group IIIA, IIIB and IIIC have not been adopted by the Canadian Electrical Code.

Classification of Divisions and Zones

Hazard Level	Division Scheme	Zone Scheme	Definitions
Continuous Hazard	Division 1	Zone 0 / Zone 20	A place in which an explosive atmosphere is continually present
Intermittent Hazard		Zone 1 / Zone 21	A place in which an explosive atmosphere is likely to occur in normal operation
Hazard Under Abnormal Conditions	Division 2	Zone 2 / Zone 22	A place in which an explosive atmosphere is not likely to occur in normal operation, but may occur for short periods

IP Codes

1st No.	Solid Objects
0	No protection
1	Objects greater than 50mm
2	Objects greater than 12.5mm
3	Objects greater than 2.5mm
4	Objects greater than 1mm
5	Dust protected
6	Dust proof
2nd No.	Liquids
0	No protection
1	Vertically dripping
2	Dripping up to 15°
3	Limited spraying
4	Splashing from all directions
5	Hosing jets from all directions
6	Strong hosing jets from all directions
7	Temporary immersion
8	Continuous immersion
9	Steam-jet cleaning

IK Ratings

IK Code	Level of Protection Achieved
IK00	Not protected
IK01	Protected against 0.14 joules impact
IK02	Protected against 0.2 joules impact
IK03	Protected against 0.35 joules impact
IK04	Protected against 0.5 joules impact
IK05	Protected against 0.7 joules impact
IK06	Protected against 1 joules impact
IK07	Protected against 2 joules impact
IK08	Protected against 5 joules impact
IK09	Protected against 10 joules impact
IK10	Protected against 20 joules impact



+1 (262) 456-5002
contact@redskylighting.com
www.redskylighting.com

RED SKY LIGHTING LLC
9370 Pittsburgh Ave.
Rancho Cucamonga, CA 91730, USA

Disclaimer

All product information is subject to change without notice.
Please contact Red Sky Lighting or your sales representative for the most up-to-date specifications.

Rev.07.1 05/26