

ROUND X2 SERIES

AC VERSION

LED LIGHTING FOR HARSH AND HAZARDOUS AREAS

AREA & LOWBAY



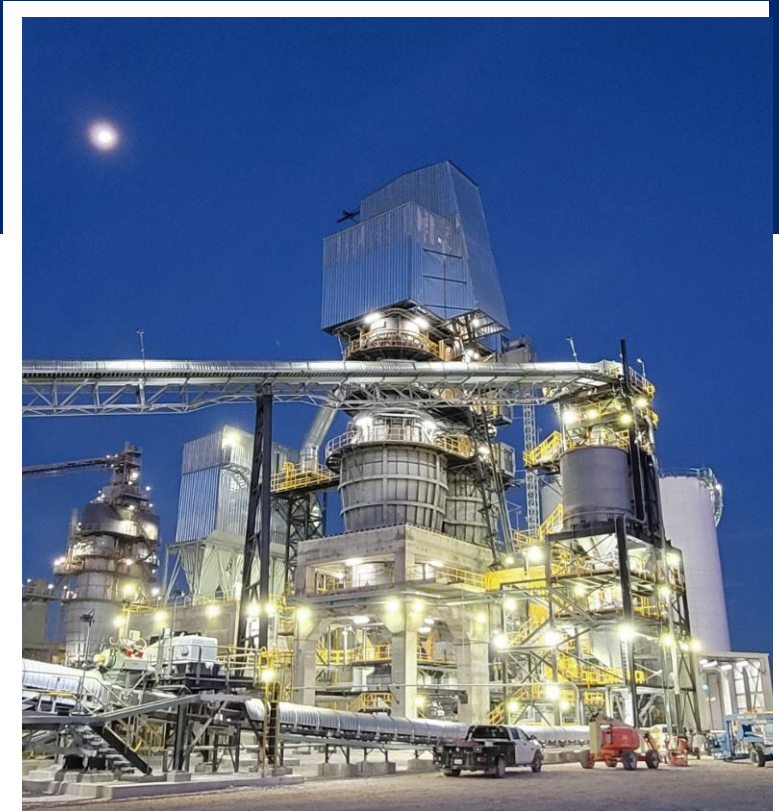
Reliable. Durable. Efficient.
4,000 to 12,000 lumen models

RED SKY
SERIOUSLY SAFE LIGHTS™

ABOUT RED SKY LIGHTING

PIONEERING INDUSTRIAL ILLUMINATION FOR HARSH & HAZARDOUS CONDITIONS

- A leading manufacturer of premium LED lights for demanding work conditions
- Headquartered in California, products assembled in the USA
- Servicing global clients across 4 continents in metal processing, oil & gas, marine, manufacturing
- Renowned for quality, dependability, client care and uncompromising safety standards



WHY CHOOSE RED SKY

❧ SERIOUSLY SAFE LIGHTS

- Rigorously tested in our professional labs
- Surpassing industry certifications and safety protocols
- Crafted with highest grade components for maximum durability

❧ TOP-NOTCH SERVICES

- Team of experts for seamless support
- Energy audit services, lighting simulation services
- Hassle-free return policy and management

❧ FAST DELIVERY

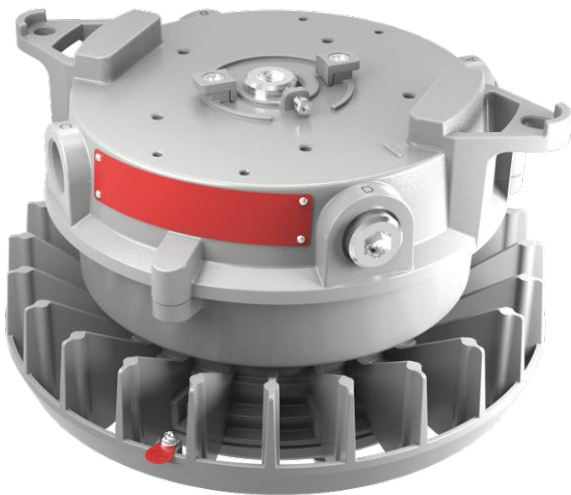
- Majority of orders delivered within 14 days
- Same day shipping for products in stock
- Real-time order tracking for full transparency

❧ SUSTAINABLE SOLUTIONS

- High luminous efficacy LEDs for energy savings
- Conscious product design
- Recyclable materials for products and packaging



FEATURES



Safe and reliable performance

Safe and reliable heat transfer-Offering a T-rating of T6 (Zone 2) / T85°C (Zone 21), LED Life L70>147,000hrs of maintenance-free operation

3 Choices of Light Distributions

60° / 110° / 180° available for different applications from spot to flood for optimal light distribution

RATINGS

Zone 2,21
 IP66
 IK08
 Salt Spray 720 hrs (ISO 9227)

CERTIFICATIONS

ATEX & UKEX

II 3G Ex ec nC nR IIC T4 Gc;II 2D Ex tb IIIC T110°C Db (65W/75W)
 II 3G Ex ec nC nR IIC T6 Gc ;II 2D Ex tb IIIC T85°C Db (25W/45W)

IECEX

Ex ec nC nR IIC T4 Gc;Ex tb IIIC T110°C Db (65W/75W)
 Ex ec nC nR IIC T6 Gc ;Ex tb IIIC T85°C Db (25W/45W)

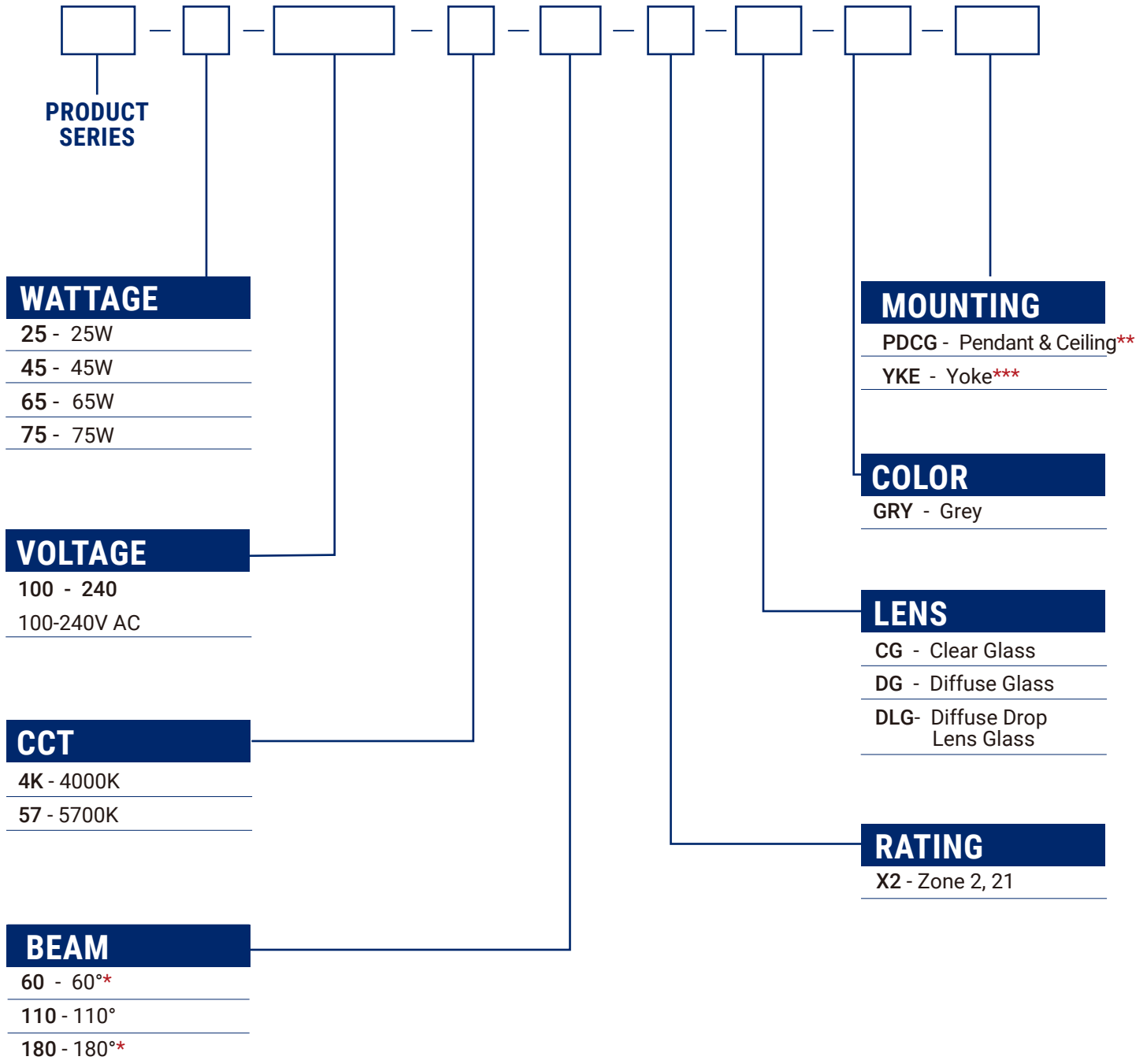
TECHNICAL PARAMETERS

Specification	RND-25-100-240	RND-45-100-240	RND-65-100-240	RND-75-100-240
Electrical Parameters				
Power	25W	45W	65W	75W
Rated Input Current (V AC)	0.127A	0.228A	0.329A	0.379A
Voltage/Frequency	100-240V AC 50/60Hz			
Power Factor	≥0.90			
THD	<20%			
L70	147,000 hrs@55°C			
Dimming	0-10V, Range 10-100%			
Surge Protection	L/N-FG 6KV, L-N 4KV			
Supply Wire	1mm ² -4mm ² , Rated 90°C			
Warranty	5 Years			
Optical Parameters				
Lumen Output*	4,036Lm	7,129Lm	10,405Lm	11,758Lm
Lumen Efficacy*	150Lm/W			
Available Beam Angle	60° / 110° /180°			
Correlated Color Temperature (CCT)	4000K/5700K			
Color Rendering Index (CRI)	Ra>70			
Mechanical Parameters				
Housing Material	Marine Grade Aluminium			
Hardware	Stainless steel 316			
Lens Material	Tempered Glass			
Mounting Options	Pendant, Yoke, Wall, Stanchion, Pole			
Product Weight	10.6lbs/4.8kg			
Package Weight	12.7lbs/5.8kg			
Cable Entry	(5) 3/4" NPT			
Product Dimensions(LxWxH)	10.6×10.3×6in (269.4×262×151.7mm)			
Package Dimensions(LxWxH)	12.7×11.6×8.7in (323×295×220mm)			
Environmental Parameters				
Ambient Operating Temperature	-40°C~+55°C			
Optimal Operating Temperature	Gas – T6; Dust – 85°C		Gas – T4; Dust – 110°C	
EPA wind rating (FT2/m2)	0.929/0.086 (Yoke), 0.917/0.085 (Stanchion)			

* Value calculated based on 5700K and Clear glass ,varies to different spec.

ORDERING INFORMATION

EXAMPLE: RND-45-100-240-57-110-X2-CG-GRY-PDCG

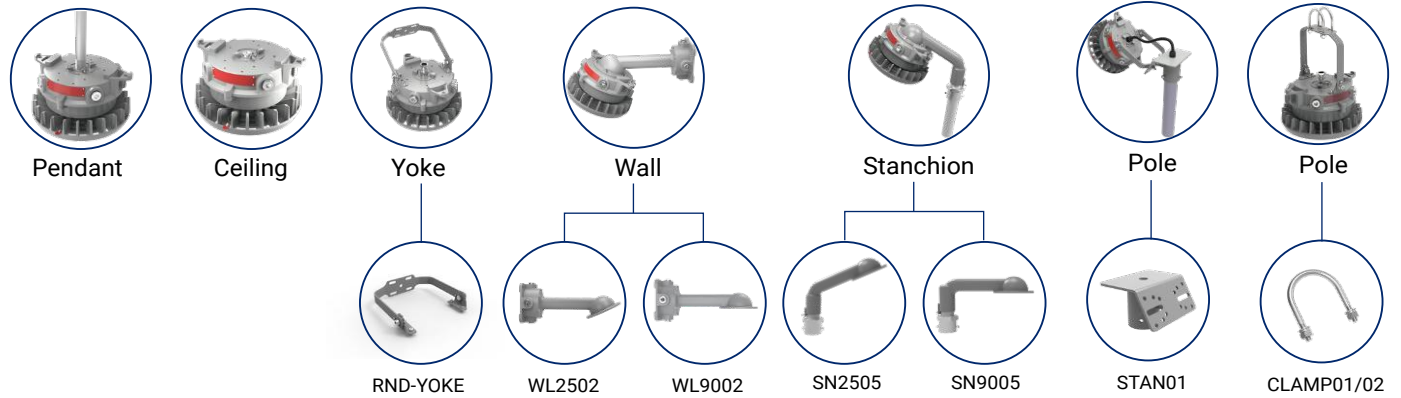


* 60° only with Clear Glass, 180° only with Diffuse Drop Lens Glass

** No accessory required for Pendant & Ceiling Mount

*** RND-YOKE Pre-installed as standard

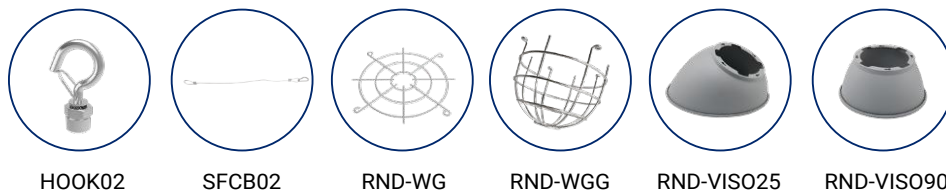
MOUNTING ACCESSORIES



Mounting Method	PN	Description	MPN Code
Yoke	RND-YOKE	Yoke Mount, SUS304, Powder-Coated Grey RAL 7037	210010007
Stanchion	SN2505	Stanchion Mount, 25 Degrees, Adapter, NPT 1-1/2 inch Conversion for 1.9 inch (Φ50 mm) Pole OD, Powder-Coated Grey RAL 7037	210010033
	SN9005	Stanchion Mount, 90 Degrees, Adapter, NPT 1-1/2 inch Conversion for 1.9 inch (Φ50 mm) Pole OD, Powder-Coated Grey RAL 7037	210010034
Wall	WL2502	Wall Mount, 25 Degrees, Powder-Coated Grey RAL 7037	210010036
	WL9002	Wall Mount, 90 Degrees, Powder-Coated Grey RAL 7037	210010035
Wall	STAN01*	Slip-Fit Stanchion Mount Kit for Φ2 inch (2-3/8 inch OD, 60mm OD) Poles, Non-Threaded, SUS304, Powder-Coated Grey RAL 7037	210010031
Pole	CLAMP01	Pipe Clamp Kit for Round Pole 1-7/8 inch OD (48 mm), SUS304	210010011
	CLAMP02	Pipe Clamp Kit for Round Pole 2-3/8 inch OD (60 mm), SUS304	210010010

* Requires A Yoke Mount

OTHER ACCESSORIES



PN	Description	MPN Code
HOOK02	M10 Hook with 3/4 inch NPT Threads, SUS316	210010097
SFCB02	Safety Cable Kit, SS304	210010094
RND-WG	Wire Guard, SUS304	210100104
RND X2-WGG	Wire Guard for Globe Lens, SUS304	210100115
RND-VISO25	Visor, 25 Degrees, Aluminium Alloy, Powder-Coated Grey RAL 7037	210010088
RND-VISO90	Visor, 90 Degrees, Aluminium Alloy, Powder-Coated Grey RAL 7037	210010087

REPLACEMENT PARTS (ORDERED SEPARATELY)

Part Number	Description	MPN Code
RND-25-100-240-Driver	Replacement Driver Kit for RND-25-100-240 Fixtures	303010067
RND-45-100-240-Driver	Replacement Driver Kit for RND-45-100-240 Fixtures	303010068
RND-65-100-240-Driver	Replacement Driver Kit for RND-65-100-240 Fixtures	303010069
RND-75-100-240-Driver	Replacement Driver Kit for RND-75-100-240 Fixtures	303010070
CG002-A-01	Replacement Clear Glass Lens for RND2, RND X2	303030004
DG010-A-01	Replacement Diffuse Glass Lens for RND X2	303030026
DLG010-A-01	Replacement Drop Glass Lens for RND X2	303030027

LUMEN TABLE

PN	Wattage (W)	CCT	Beam	Lens	Lumen Output (Lm)	Efficiency (Lm/W)
Voltage 100-240V AC						
RND-25-100-240-57-60-X2-CG-GRY-YKE	25	5700K	60°	Clear Glass	4,295	168
RND-25-100-240-57-110-X2-CG-GRY-YKE	25	5700K	110°	Clear Glass	4,036	161
RND-25-100-240-57-180-X2-DLG-GRY-YKE	25	5700K	180°	Drop Lens Glass	3,268	130
RND-45-100-240-57-60-X2-CG-GRY-YKE	45	5700K	60°	Clear Glass	7,523	170
RND-45-100-240-57-110-X2-CG-GRY-YKE	45	5700K	110°	Clear Glass	7,129	161
RND-45-100-240-57-180-X2-DLG-GRY-YKE	45	5700K	180°	Drop Lens Glass	5,714	129
RND-65-100-240-57-60-X2-CG-GRY-YKE	65	5700K	60°	Clear Glass	10,958	170
RND-65-100-240-57-110-X2-CG-GRY-YKE	65	5700K	110°	Clear Glass	10,405	159
RND-65-100-240-57-180-X2-DLG-GRY-YKE	65	5700K	180°	Drop Lens Glass	8,351	127
RND-75-100-240-57-60-X2-CG-GRY-YKE	75	5700K	60°	Clear Glass	12,638	169
RND-75-100-240-57-110-X2-CG-GRY-YKE	75	5700K	110°	Clear Glass	11,758	157
RND-75-100-240-57-180-X2-DLG-GRY-YKE	75	5700K	180°	Drop Lens Glass	9,434	125

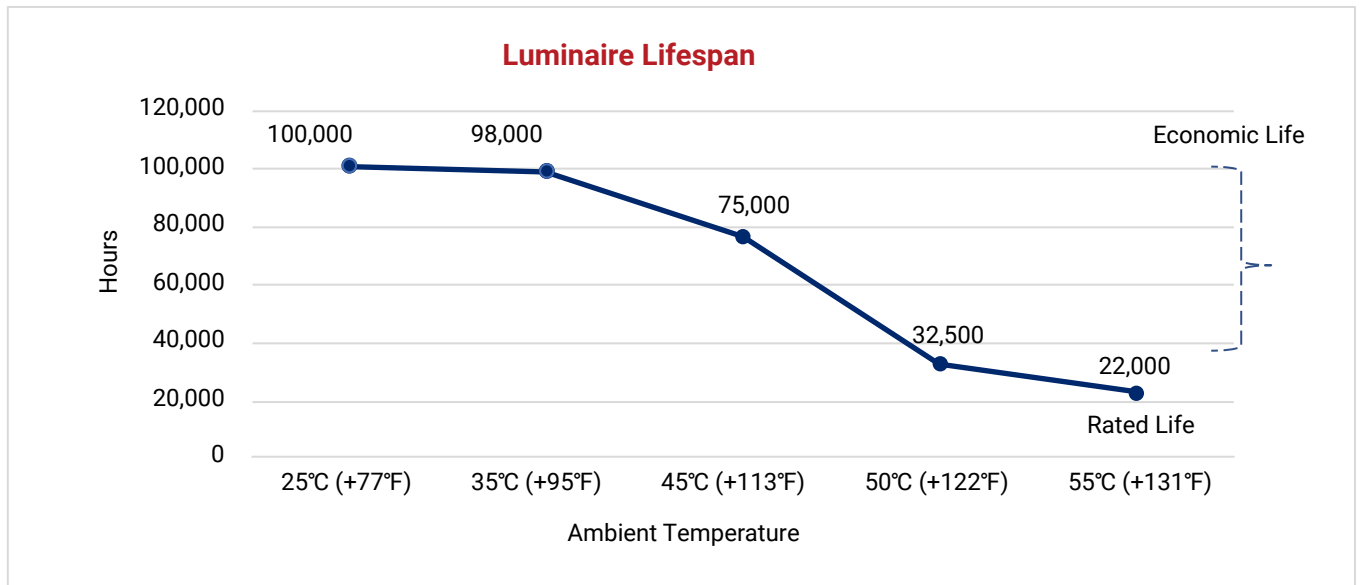
This table lists only selected lumen packages. For additional model parameters, please contact our sales team.
 Note: LXX# = nominal lumens. Verify lumen package before ordering.

LUMEN MAINTENANCE

Ambient \ Hours	0	15,000	30,000	45,000	60,000	75,000	90,000	100,000	150,000
25°C	100%	99%	94%	90%	87%	84%	81%	79%	70%
35°C	100%	99%	94%	90%	87%	84%	81%	79%	70%
45°C	100%	99%	94%	90%	87%	84%	80%	78%	69%
50°C	100%	99%	93%	90%	86%	83%	79%	77%	68%
55°C	100%	99%	93%	89%	85%	82%	78%	76%	66%

LUMINAIRE LIFESPAN

Ambient Temperature	Luminaire Lifespan (Hours)	Rated Service Life - Years (24/7 Operation)	Rated Service Life - Years (12/7 Operation)
25°C (+77°F)	100,000	11	23
35°C (+95°F)	98,000	11	22
45°C (+113°F)	75,000	9	17
50°C (+122°F)	32,500	4	7
55°C (+131°F)	22,000	3	5



Information shown for reference only and may vary by configuration.

A DIRECT RETROFIT FROM HID TO LED

The Round series LED is easy to retrofit in the same configuration as your existing HID luminaires. For example, a 75-watt Round (RND-75) delivers virtually the same illumination as its equivalent 250 watt MH luminaire while providing 70% reduction in energy costs and up to 150,000 hours of continuous operation.


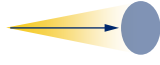
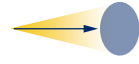
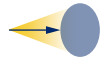



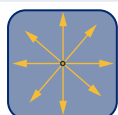
MODELS	Lumen Output (Lm)	MH Equivalent (W)	HPS Equivalent (W)
RND-25	4,036	100	150
RND-45	7,129	175	225
RND-65	10,405	250	310
RND-75	11,758	250	310

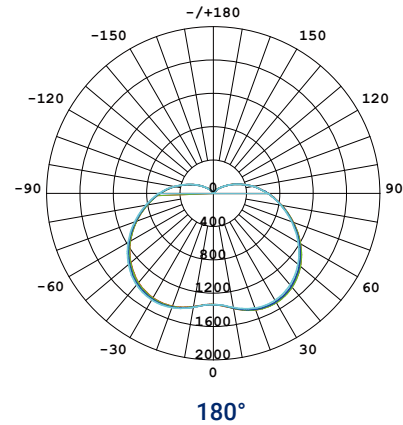
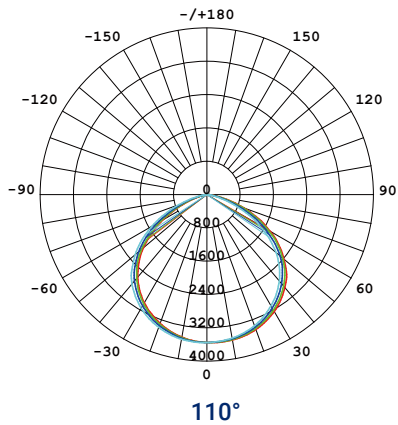
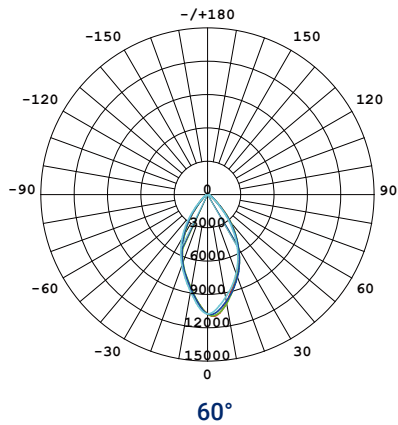
THE RIGHT BEAM PATTERN FOR YOUR APPLICATION

RSL optic package is engineered to deliver maximum footcandles efficiently where you need them, without wasted light or overspill.

RSL offers complimentary lighting design services for our products using industry-leading AGI32 software, tailored for projects of all sizes in harsh and hazardous locations. We assist you in determining the number of fixtures needed, the types of lights to use, their optimal placement, and how to maximize energy savings—all within budget.

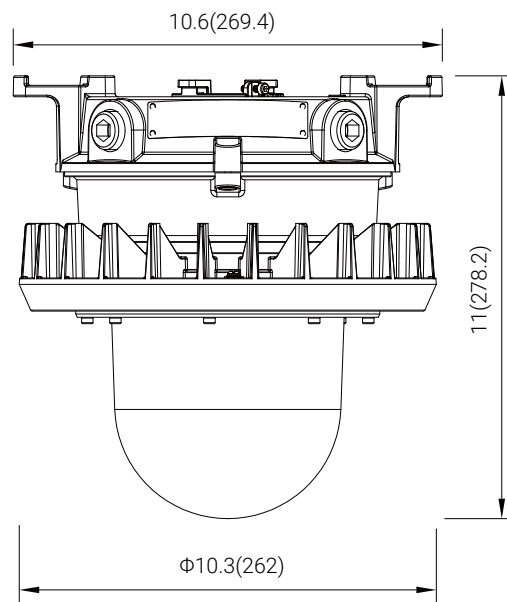
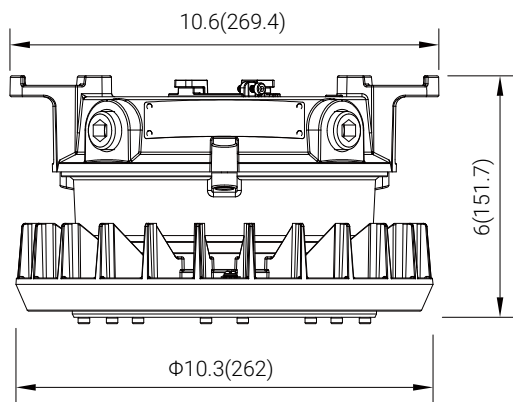
Simply fill out the form (<https://dev.redskylighting.com/lighting-design>) with a few key details, request a layout, and we'll bring your ideas to life within 2-5 business days.

Beam	NEMA/IESNA Type	Beam Description	Beam Projection Distance
30°	NEMA 3	Medium Narrow	
60°	NEMA 4	Medium	
90°	NEMA 5	Medium Wide	
120°	NEMA 6	Wide	
T1	Type I	Asymmetric distributions, well suited for narrow areas, such as Conveyor belts, Aisleways, Catwalks, Loading docks and Tunnels.	
T2	Type II	Asymmetric distributions, well suited for narrow areas, such as roadways, paths and driveways.	
T3	Type III	Asymmetric distributions, well suited for site / area perimeters, wide roadways, and open areas.	
T5	NEMA 7 Type V (Square)	Very Wide: symmetrical pattern with excellent uniformity for large, open areas.	



DIMENSIONS

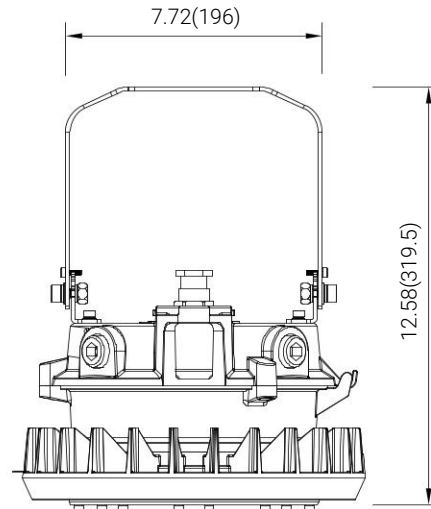
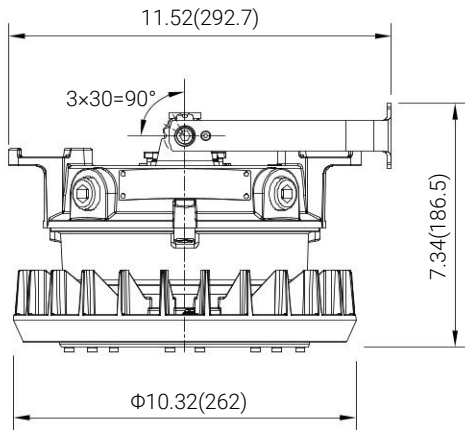
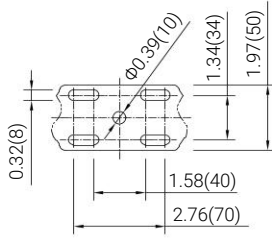
unit: in(mm)



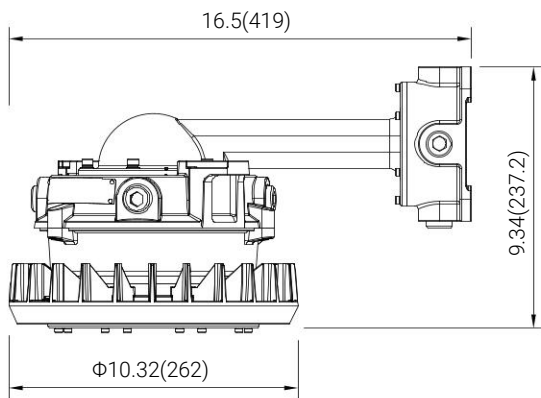
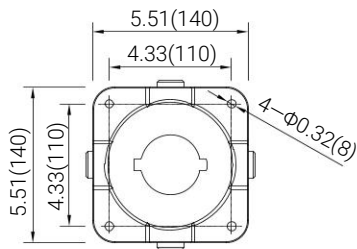
Pendant

DIMENSIONS

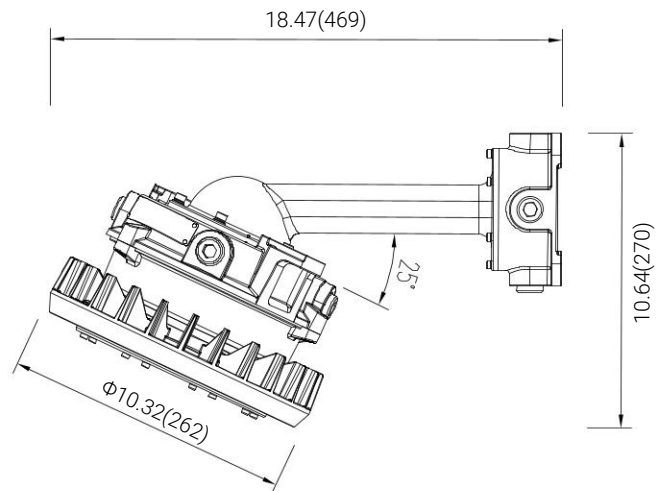
unit: in(mm)



Yoke

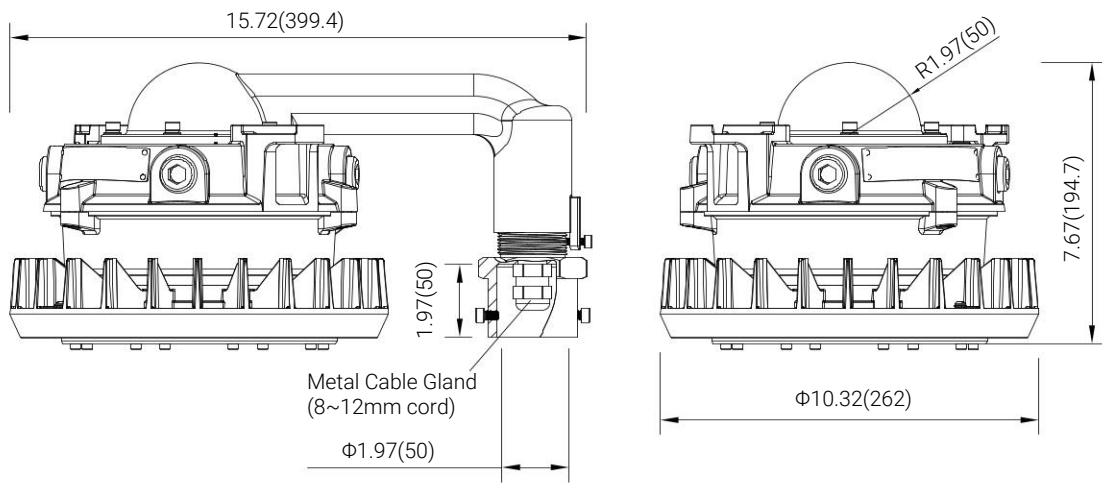


Wall 90°

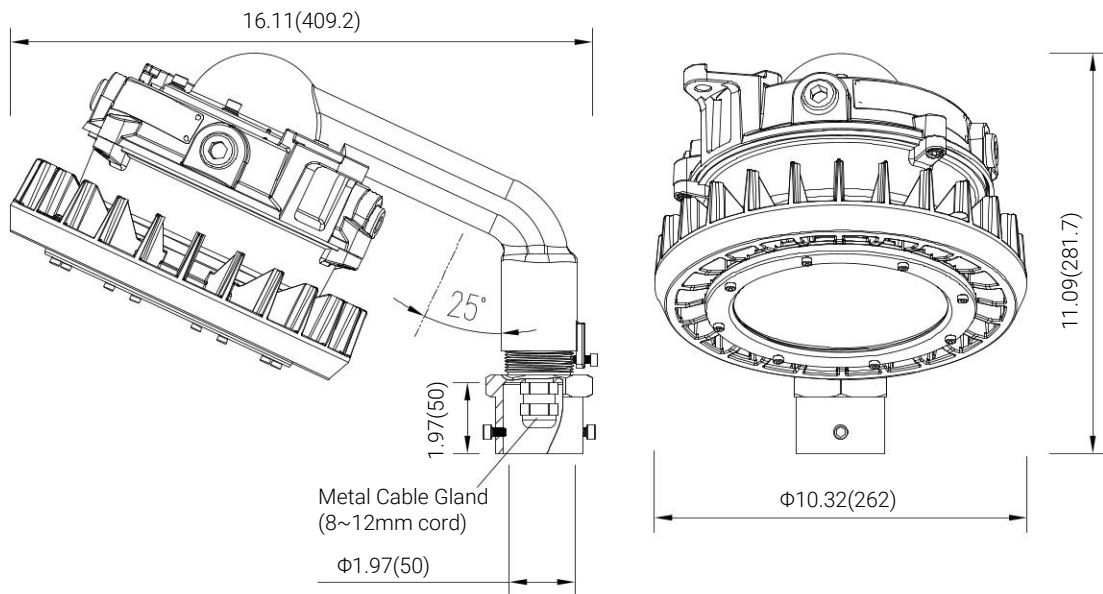


Wall 25°

unit: in(mm)

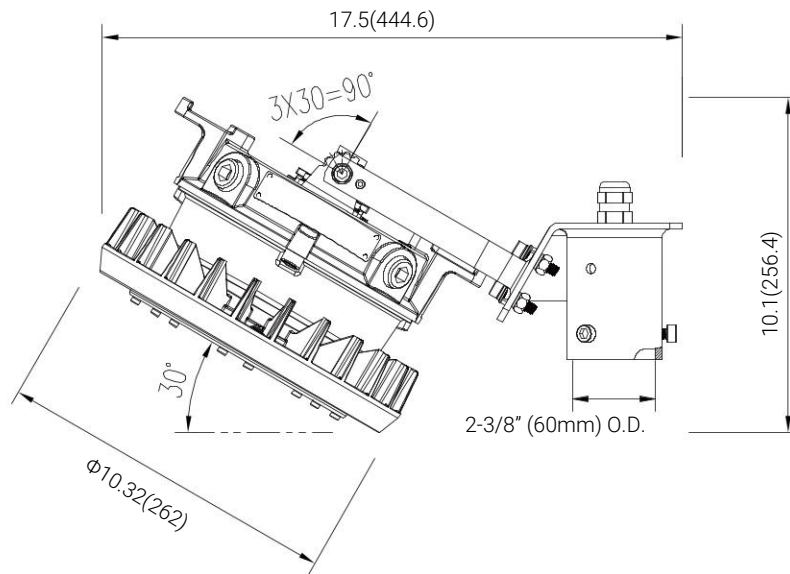


Stanchion 90°

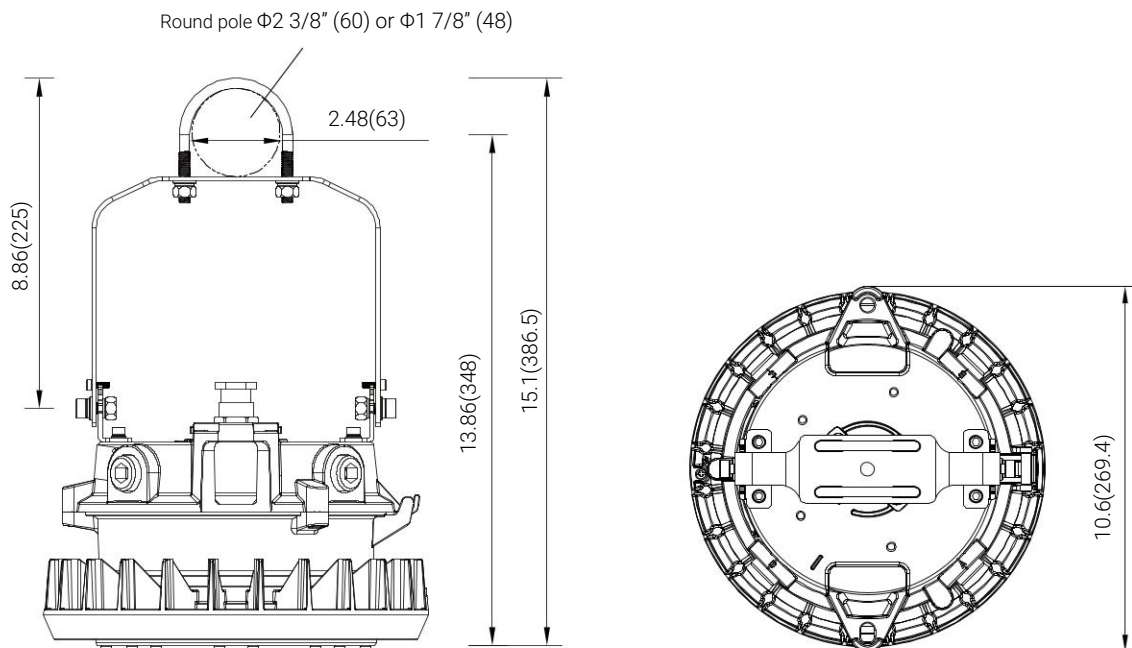


Stanchion 25°

unit: in(mm)



**Pole
STAN01**



**Pole
CLAMP01/02**

HAZARDOUS LOCATION LIGHTING BASICS

Atmosphere Groups

Temperature Classification

Substance	Hazard Class	Division Groups	Zone Groups	Max. Surface Temperatures	NEC® 500 CEC®	NEC® 505/IEC-Group II
Acetylene	Class I Flammable Gases	Group A	IIC	450°C(842°F)	T1	T1
Hydrogen		Group B	IIC	300°C(572°F)	T2	
Ethylene		Group C	IIB	280°C(536°F)	T2A	T2
Propane		Group D	IIA	260°C(500°F)	T2B	
Methane		Group D	IIA ²	230°C(446°F)	T2C	
Combustible Metal Dusts	Group E ¹	IIIC ³	215°C(419°F)	T2D		
Combustible Carbonaceous Dust	Class II Combustible Dusts	Group F	IIIB ³	200°C(392°F)	T3	T3
Combustible Dusts not in Group E or F (Flour, Grain, Wood, Plastics, Chemicals)		Group G	IIIB ³	180°C(256°F)	T3A	
Combustible Fibers and Flyings		Not Applicable	IIIA ³	165°C(329°F)	T3B	
				160°C(320°F)	T3C	
				135°C(275°F)	T4	T4
				120°C(248°F)	T4A	
				100°C(212°F)	T5	T5
				85°C(185°F)	T6	T6

Note 1: Group E is applicable to Class II, Division 1 only.
 Note 2: Methane is a Group IIA Gas for non-mining applications.
 Note 3: Group IIIA, IIIB and IIIC have not been adopted by the Canadian Electrical Code.

Classification of Divisions and Zones

Hazard Level	Division Scheme	Zone Scheme	Definitions
Continuous Hazard	Division 1	Zone 0 / Zone 20	A place in which an explosive atmosphere is continually present
Intermittent Hazard		Zone 1 / Zone 21	A place in which an explosive atmosphere is likely to occur in normal operation
Hazard Under Abnormal Conditions	Division 2	Zone 2 / Zone 22	A place in which an explosive atmosphere is not likely to occur in normal operation, but may occur for short periods

IP Codes

1st No.	Solid Objects
0	No protection
1	Objects greater than 50mm
2	Objects greater than 12.5mm
3	Objects greater than 2.5mm
4	Objects greater than 1mm
5	Dust protected
6	Dust proof
2nd No.	Liquids
0	No protection
1	Vertically dripping
2	Dripping up to 15°
3	Limited spraying
4	Splashing from all directions
5	Hosing jets from all directions
6	Strong hosing jets from all directions
7	Temporary immersion
8	Continuous immersion
9	Steam-jet cleaning

IK Ratings

IK Code	Level of Protection Achieved
IK00	Not protected
IK01	Protected against 0.14 joules impact
IK02	Protected against 0.2 joules impact
IK03	Protected against 0.35 joules impact
IK04	Protected against 0.5 joules impact
IK05	Protected against 0.7 joules impact
IK06	Protected against 1 joules impact
IK07	Protected against 2 joules impact
IK08	Protected against 5 joules impact
IK09	Protected against 10 joules impact
IK10	Protected against 20 joules impact



+1 (262) 456-5002
contact@redskylighting.com
www.redskylighting.com

RED SKY LIGHTING LLC
9370 Pittsburgh Ave.
Rancho Cucamonga, CA 91730, USA

Disclaimer

All product information is subject to change without notice.
Please contact Red Sky Lighting or your sales representative for the most up-to-date specifications.