

BLOCK MINI SERIES H1

LED LIGHTING FOR HAZARDOUS AREAS
AREA & LOWBAY



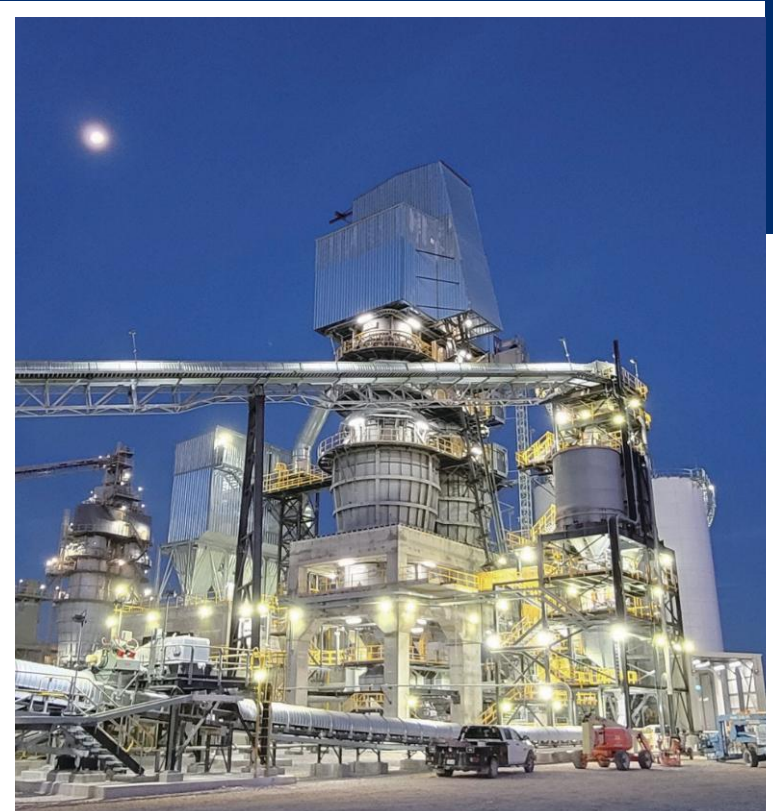
Reliable. Durable. Efficient.
3,000 to 8,100 lumen models

RED SKY
SERIOUSLY SAFE LIGHTS™

ABOUT RED SKY LIGHTING

PIONEERING INDUSTRIAL ILLUMINATION FOR HARSH & HAZARDOUS CONDITIONS

- A leading manufacturer of premium LED lights for demanding work conditions
- Headquartered in California, products assembled in the USA
- Servicing global clients across 4 continents in metal processing, oil & gas, marine, manufacturing
- Renowned for quality, dependability, client care and uncompromising safety standards



WHY CHOOSE RED SKY

❧ SERIOUSLY SAFE LIGHTS

- Rigorously tested in our professional labs
- Surpassing industry certifications and safety protocols
- Crafted with highest grade components for maximum durability

❧ TOP-NOTCH SERVICES

- Team of experts for seamless support
- Energy audit services, lighting simulation services
- Hassle-free return policy and management

❧ FAST DELIVERY

- Majority of orders delivered within 14 days
- Same day shipping for products in stock
- Real-time order tracking for full transparency

❧ SUSTAINABLE SOLUTIONS

- High luminous efficacy LEDs for energy savings
- Conscious product design
- Recyclable materials for products and packaging

BLOCK MINI SERIES



Introducing the Block Mini Series H1 from Red Sky Lighting - a compact and powerful explosion-proof LED luminaire engineered for the most hazardous locations. This versatile lighting solution meets the stringent Class 1 Division 1 standard, certifying it for use in areas where flammable gases, vapors or liquids are present under normal operating conditions.

The factory-sealed Block Mini H1 eliminates the need for external sealing fittings, simplifying installation and maintenance. Its exceptional thermal management system offers a T6 temperature rating and is engineered to perform reliably in high ambient temperatures up to 149°F, providing an impressive L70 rating of over 219,000 hours.

Compact and lightweight, the Block Mini H1 is easy to handle and install, making it ideal for applications with limited space and low mounting heights. Red Sky Lighting's smart lens choices allow you to customize the light distribution with clear, diffused, and Type 2 & 3 options.

The Block Mini Series H1 comes backed by Red Sky Lighting's 10-year warranty, underscoring the company's confidence in this cutting-edge explosion-proof luminaire engineered to the highest standards.



BLOCK MINI SERIES
GEORGIA, USA

FEATURES



Factory Sealed

No external sealing fittings required in Groups B, C and D.

Thermal Management

Safe and reliable heat transfer - Offering a T-rating of T6 (CID1)

Heat sink designed to perform in high ambient temperatures up to +149°F.

L70 >219,000 Hours@149°F

Compact and Light Weight Design

For easy handling, especially when access to limited space with low mounting heights

RATINGS

Class I, Division 1, Groups B, C and D;
 Class I, Division 2, Groups A, B, C and D;
 Class II, Division 1, Groups E, F and G.
 Class II Division 2, Groups F, G
 Class III
 Class I, Zone 1, Group IIB
 Class I, Zone 2, Group IIC
 Zone 21, Group IIIC
 UL 1598 Wet Locations
 UL 1598A Marine Outside Type (Salt Water)
 5G vibration
 IP66& IP67
 IK10 (PC) /IK08 (Glass)
 Salt Spray 720 hrs (ASTM B117)
 NEMA 4X

CERTIFICATIONS

UL844
 UL1598
 UL8750
 UL 1598A
 CSA C22.2 No. 137-18
 CSA C22.2 No. 250.0
 CSA C22.2 No. 250.13
 FCC Part 15, Subpart B
 DLC Premium*

* Not all product variations listed on this page are DLC qualified. Visit www.designlights.org/search to confirm qualification.

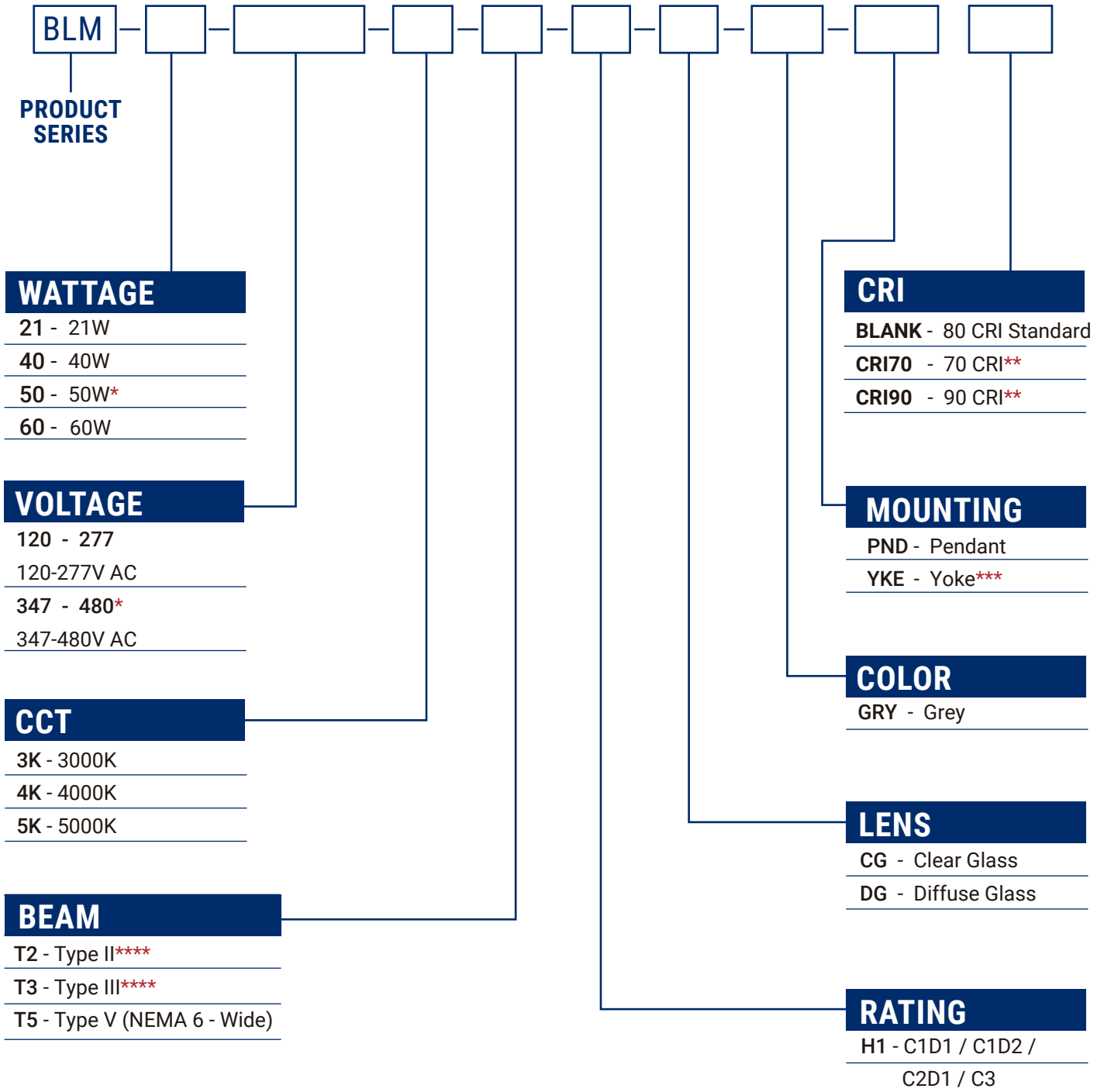
TECHNICAL PARAMETERS

Specification	BLM-H1-21	BLM-H1-40	BLM-H1-50	BLM-H1-60
Electrical Parameters				
Power	21W	40W	50W	60W
Rated Input Current(120V AC)	0.194A	0.370A	/	0.555A
Rated Input Current(277V AC)	0.084A	0.160A	/	0.240A
Rated Input Current(347V AC)	/	/	0.160A	/
Rated Input Current(480V AC)	/	/	0.115A	/
Voltage/Frequency	120-277V AC	120-277V AC	347-480V AC	120-277V AC
Power Factor	≥0.90			
THD	<20%			
L70	219,000 hrs@149°F			127,000 hrs@147°F
Dimming	0-10V, Range 10-100%			
Surge Protection	10KV			
Supply Wire	12-18AWG, Rated 90°C			
Warranty	LEDs: 10 years, Driver: 7 years			
Optical Parameters				
Lumen Output*	2,977Lm	5,617Lm	6,945Lm	8,100Lm
Lumen Efficacy*	140Lm/W			
Available Beam Angle	T2/T3/T5			
Correlated Color Temperature (CCT)	3000K/4000K/5000K			
Color Rendering Index (CRI)	80 CRI			
Mechanical Parameters				
Housing Material	Copper-free (< 0.4%) die-cast aluminum			
Hardware	Stainless steel 316			
Lens Material	Tempered Glass			
Mounting Options	Pendant, Yoke			
Product Weight	10.5lbs/4.8kg	10.8lbs/4.9kg	11.7lbs/5.3kg	11.7lbs/5.3kg
Package Weight	12.6lbs/5.8kg	12.9lbs/5.9kg	13.8lbs/6.3kg	13.8lbs/6.3kg
Cable Entry	(1) 3/4" NPT w/3' 18/6 Leads (L/N/G,Dim+/Dim-/12V)			
Product Dimensions(LxWxH)	9.7x8.3x5.1in (245x210x129mm)			
Package Dimensions(LxWxH)	13.4x11x8.3in (340x280x210mm)			
Environmental Parameters				
Ambient Operating Temperature	-40°C~-+65°C(-40°F~-+149°F)			64°C(147°F)
T-Code Rating	C1D1-T6, CID2-T4A, CIID1-T6	C1D1-T6,CID2-T4,CIID1-T6		C1D1-T5,CID2-T4,CIID1-T5
EPA wind rating (FT2)	0.998 (Yoke)			

* Value calculated based on 5000K, 80 CRI and clear glass ,varies to differrent spec.
70 CRI & 90 CRI optional, DLC available with 70 CRI only.

ORDERING INFORMATION

EXAMPLE: BLM-40-120-277-5K-T5-H1-CG-GRY-PND



* 50W only with 347-480V AC, 347-480V AC only with 50W

** CRI 90 option – expect longer lead time

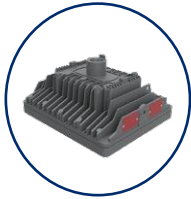
** DLC available with 70 CRI only. Not all product variations listed on this page are DLC qualified.

Visit www.designlights.org/search to confirm qualification.

*** BLM-YOKE Pre-installed

**** Only available with Clear Glass Option

MOUNTING ACCESSORIES



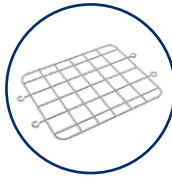
Pendant



Yoke



BLM-YOKE



BLM-WGG



SFCB02

Mounting Method	PN	Description	MPN Code
Yoke	BLM-YOKE	Yoke Mount, SUS304, Powder-Coated Grey RAL 7037	210010049
	BLM-WGG	Wire Guard for Globe Lens, SUS304	210010093
	SFCB02	Safety Cable Kit, SUS304	210010094

REPLACEMENT PARTS (ORDERED SEPARATELY)

Part Number	Description	MPN Code
BLM-21-120-277-Driver	Replacement Driver Kit for BLM-21-120-277 Fixtures	303010016
BLM-40-120-277-Driver	Replacement Driver Kit for BLM-40-120-277 Fixtures	303010017
BLM-60-120-277-Driver	Replacement Driver Kit for BLM-60-120-277 Fixtures	303010018
BLM-50-347-480-Driver	Replacement Driver Kit for BLM-50-347-480 Fixtures	303010019
CG001-A-01	Replacement Clear Glass Lens for BLM H1/BLM H2	303030001
DG001-A-01	Replacement Diffuse Glass Lens for BLM H1/BLM H2	303030002

LUMEN TABLE

PN	Wattage (W)	CCT	CRI	Beam	Lens	Lumen Output (Lm)	Efficiency (Lm/W)
----	-------------	-----	-----	------	------	-------------------	-------------------

Voltage 100-277VAC 80 CRI • STANDARD

BLM-21-120-277-5K-T2-H1-CG-GRY-PND	21	5000K	80	T2	Clear Glass	2,983	133
BLM-21-120-277-5K-T3-H1-CG-GRY-PND	21	5000K	80	T3	Clear Glass	2,842	127
BLM-21-120-277-5K-T5-H1-CG-GRY-PND	21	5000K	80	T5	Clear Glass	2,977	137
BLM-21-120-277-5K-T5-H1-DG-GRY-PND	21	5000K	80	T5	Diffuse Glass	2,615	117
BLM-40-120-277-5K-T2-H1-CG-GRY-PND	40	5000K	80	T2	Clear Glass	5,553	137
BLM-40-120-277-5K-T3-H1-CG-GRY-PND	40	5000K	80	T3	Clear Glass	5,226	128
BLM-40-120-277-5K-T5-H1-CG-GRY-PND	40	5000K	80	T5	Clear Glass	5,617	139
BLM-40-120-277-5K-T5-H1-DG-GRY-PND	40	5000K	80	T5	Diffuse Glass	4,915	121
BLM-60-120-277-5K-T2-H1-CG-GRY-PND	60	5000K	80	T2	Clear Glass	8,231	136
BLM-60-120-277-5K-T3-H1-CG-GRY-PND	60	5000K	80	T3	Clear Glass	7,752	129
BLM-60-120-277-5K-T5-H1-CG-GRY-PND	60	5000K	80	T5	Clear Glass	8,100	137
BLM-60-120-277-5K-T5-H1-DG-GRY-PND	60	5000K	80	T5	Diffuse Glass	7,274	129

Voltage 347-480VAC 80 CRI • STANDARD

BLM-50-347-480-5K-T2-H1-CG-GRY-PND	50	5000K	80	T2	Clear Glass	6,974	134
BLM-50-347-480-5K-T3-H1-CG-GRY-PND	50	5000K	80	T3	Clear Glass	6,394	123
BLM-50-347-480-5K-T5-H1-CG-GRY-PND	50	5000K	80	T5	Clear Glass	6,945	136
BLM-50-347-480-5K-T5-H1-DG-GRY-PND	50	5000K	80	T5	Diffuse Glass	6,169	119

Voltage 100-277VAC 70 CRI

BLM-21-120-277-5K-T2-H1-CG-GRY-PND CRI70	21	5000K	70	T2	Clear Glass	3,364	156
BLM-21-120-277-5K-T3-H1-CG-GRY-PND CRI70	21	5000K	70	T3	Clear Glass	3,210	148
BLM-21-120-277-5K-T5-H1-CG-GRY-PND CRI70	21	5000K	70	T5	Clear Glass	3,290	152
BLM-21-120-277-5K-T5-H1-DG-GRY-PND CRI70	21	5000K	70	T5	Diffuse Glass	2,824	131
BLM-40-120-277-5K-T2-H1-CG-GRY-PND CRI70	40	5000K	70	T2	Clear Glass	6,162	153
BLM-40-120-277-5K-T3-H1-CG-GRY-PND CRI70	40	5000K	70	T3	Clear Glass	5,991	149
BLM-40-120-277-5K-T5-H1-CG-GRY-PND CRI70	40	5000K	70	T5	Clear Glass	6,499	161
BLM-40-120-277-5K-T5-H1-DG-GRY-PND CRI70	40	5000K	70	T5	Diffuse Glass	5,207	130
BLM-60-120-277-5K-T2-H1-CG-GRY-PND CRI70	60	5000K	70	T2	Clear Glass	8,113	147
BLM-60-120-277-5K-T3-H1-CG-GRY-PND CRI70	60	5000K	70	T3	Clear Glass	7,839	143
BLM-60-120-277-5K-T5-H1-CG-GRY-PND CRI70	60	5000K	70	T5	Clear Glass	8,514	154
BLM-60-120-277-5K-T5-H1-DG-GRY-PND CRI70	60	5000K	70	T5	Diffuse Glass	7,132	122

Voltage 347-480VAC 70 CRI

BLM-50-347-480-5K-T2-H1-CG-GRY-PND CRI70	50	5000K	70	T2	Clear Glass	6,949	146
BLM-50-347-480-5K-T3-H1-CG-GRY-PND CRI70	50	5000K	70	T3	Clear Glass	6,520	137
BLM-50-347-480-5K-T5-H1-CG-GRY-PND CRI70	50	5000K	70	T5	Clear Glass	7,179	151
BLM-50-347-480-5K-T5-H1-DG-GRY-PND CRI70	50	5000K	70	T5	Diffuse Glass	5,881	124

This table lists only selected lumen packages. For additional model parameters, please contact our sales team.
 Note: LXX# = nominal lumens. Verify lumen package before ordering.

LUMEN TABLE

PN	Wattage (W)	CCT	CRI	Beam	Lens	Lumen Output (Lm)	Efficiency (Lm/W)
Voltage 100-277VAC 90 CRI							
BLM-21-120-277-5K-T2-H1-CG-GRY-PND CRI90	21	5000K	90	T2	Clear Glass	2,792	129
BLM-21-120-277-5K-T3-H1-CG-GRY-PND CRI90	21	5000K	90	T3	Clear Glass	2,664	123
BLM-21-120-277-5K-T5-H1-CG-GRY-PND CRI90	21	5000K	90	T5	Clear Glass	2,731	126
BLM-21-120-277-5K-T5-H1-DG-GRY-PND CRI90	21	5000K	90	T5	Diffuse Glass	2,344	109
BLM-40-120-277-5K-T2-H1-CG-GRY-PND CRI90	40	5000K	90	T2	Clear Glass	5,114	127
BLM-40-120-277-5K-T3-H1-CG-GRY-PND CRI90	40	5000K	90	T3	Clear Glass	4,973	124
BLM-40-120-277-5K-T5-H1-CG-GRY-PND CRI90	40	5000K	90	T5	Clear Glass	5,394	134
BLM-40-120-277-5K-T5-H1-DG-GRY-PND CRI90	40	5000K	90	T5	Diffuse Glass	4,322	108
BLM-60-120-277-5K-T2-H1-CG-GRY-PND CRI90	60	5000K	90	T2	Clear Glass	6,734	122
BLM-60-120-277-5K-T3-H1-CG-GRY-PND CRI90	60	5000K	90	T3	Clear Glass	6,506	119
BLM-60-120-277-5K-T5-H1-CG-GRY-PND CRI90	60	5000K	90	T5	Clear Glass	7,067	128
BLM-60-120-277-5K-T5-H1-DG-GRY-PND CRI90	60	5000K	90	T5	Diffuse Glass	5,920	101
Voltage 347-480VAC 90 CRI							
BLM-50-347-480-5K-T2-H1-CG-GRY-PND CRI90	50	5000K	90	T2	Clear Glass	5,767	121
BLM-50-347-480-5K-T3-H1-CG-GRY-PND CRI90	50	5000K	90	T3	Clear Glass	5,411	114
BLM-50-347-480-5K-T5-H1-CG-GRY-PND CRI90	50	5000K	90	T5	Clear Glass	5,959	125
BLM-50-347-480-5K-T5-H1-DG-GRY-PND CRI90	50	5000K	90	T5	Diffuse Glass	4,881	103

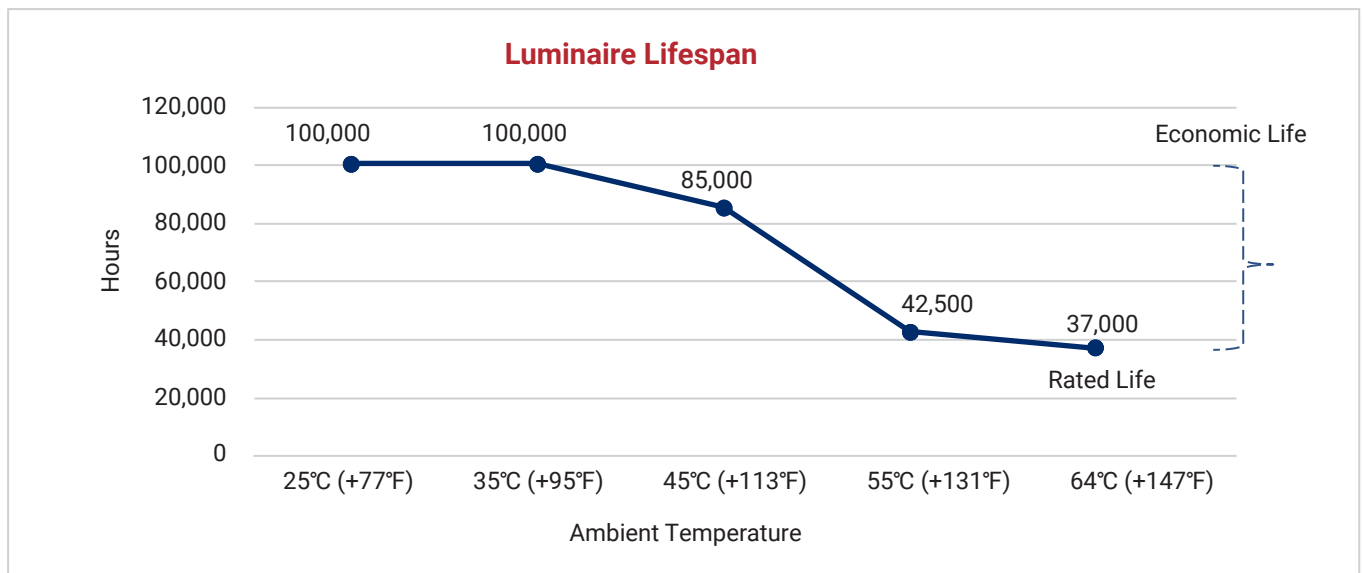
This table lists only selected lumen packages. For additional model parameters, please contact our sales team.
 Note: LXX# = nominal lumens. Verify lumen package before ordering.

LUMEN MAINTENANCE

Ambient \ Hours	0	15,000	30,000	45,000	60,000	75,000	90,000	100,000	150,000
25°C	100%	99%	98%	97%	96%	95%	94%	94%	90%
35°C	100%	99%	98%	96%	95%	94%	93%	92%	88%
45°C	100%	98%	97%	95%	94%	92%	91%	90%	85%
55°C	100%	98%	96%	94%	92%	90%	88%	87%	81%
64°C	100%	97%	93%	89%	85%	82%	78%	76%	66%

LUMINAIRE LIFESPAN

Ambient Temperature	Luminaire Lifespan (Hours)	Rated Service Life - Years (24/7 Operation)	Rated Service Life - Years (12/7 Operation)
25°C (+77°F)	100,000	11	23
35°C (+95°F)	100,000	11	23
45°C (+113°F)	85,000	10	19
55°C (+131°F)	42,500	5	10
64°C (+147°F)	37,000	4	8



Information shown for reference only and may vary by configuration.

A DIRECT RETROFIT FROM HID TO LED

The BLM series LED is easy to retrofit in the same configuration as your existing HID luminaires. For example, a 60-watt Block Mini (BLM-60) delivers virtually the same illumination as its equivalent 250 watt HPS luminaire while providing 80% reduction in energy costs and up to 130,000 hours of continuous operation.




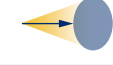



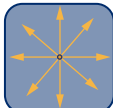
MODELS	Lumen Output (Lm)	MH Equivalent (W)	HPS Equivalent (W)
BLM-21	2,977	100	150
BLM-40	5,617	150	200
BLM-50	6,945	175	225
BLM-60	8,100	200	250

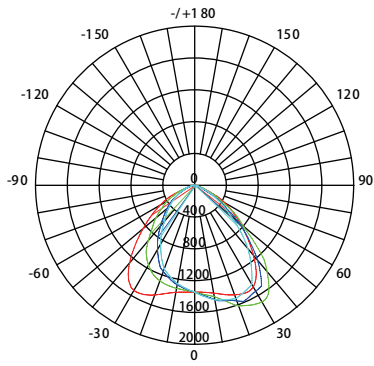
THE RIGHT BEAM PATTERN FOR YOUR APPLICATION

RSL optic package is engineered to deliver maximum footcandles efficiently where you need them, without wasted light or overspill.

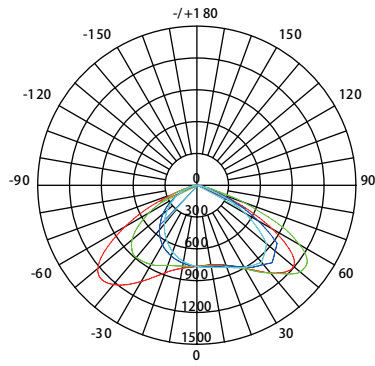
RSL offers complimentary lighting design services for our products using industry-leading AGI32 software, tailored for projects of all sizes in harsh and hazardous locations. We assist you in determining the number of fixtures needed, the types of lights to use, their optimal placement, and how to maximize energy savings—all within budget.

Simply fill out the form (<https://dev.redskylighting.com/lighting-design>) with a few key details, request a layout, and we'll bring your ideas to life within 2-5 business days.

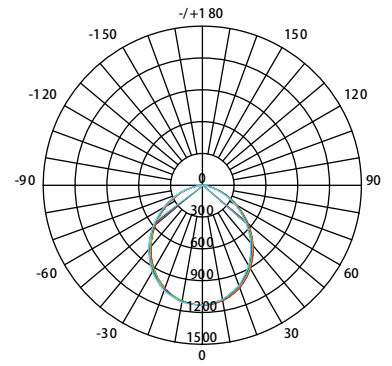
Beam	NEMA/IESNA Type	Beam Description	Beam Projection Distance
30°	NEMA 3	Medium Narrow	
60°	NEMA 4	Medium	
90°	NEMA 5	Medium Wide	
120°	NEMA 6	Wide	
T1	Type I	Asymmetric distributions, well suited for narrow areas, such as Conveyor belts, Aisleways, Catwalks, Loading docks and Tunnels.	
T2	Type II	Asymmetric distributions, well suited for narrow areas, such as roadways, paths and driveways.	
T3	Type III	Asymmetric distributions, well suited for site / area perimeters, wide roadways, and open areas.	
T5	NEMA 7 Type V (Square)	Very Wide: symmetrical pattern with excellent uniformity for large, open areas.	



Type II



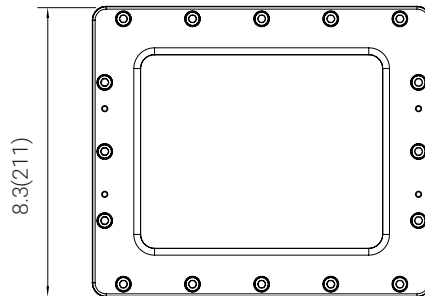
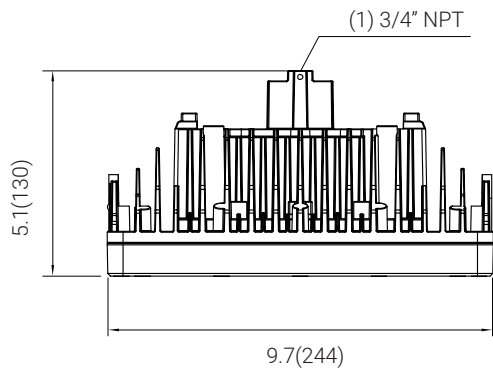
Type III



Type V (NEMA 6 - Wide)

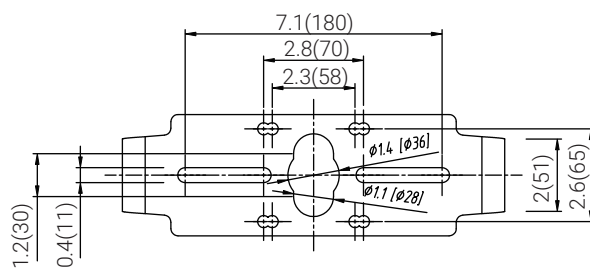
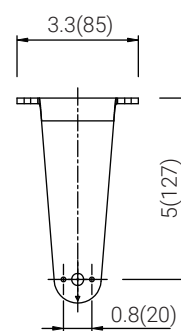
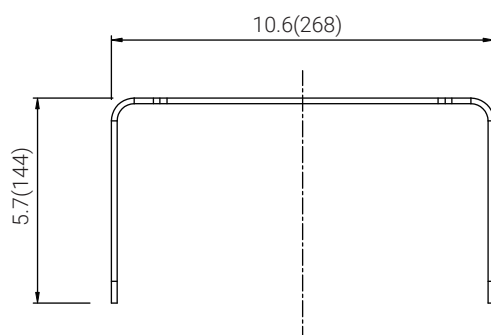
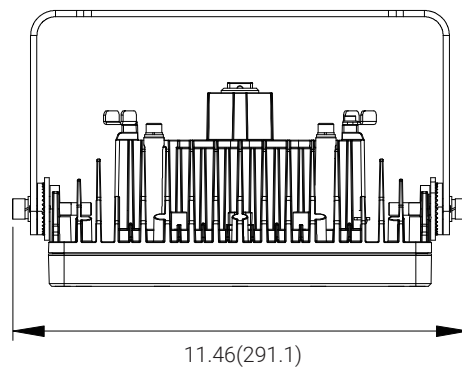
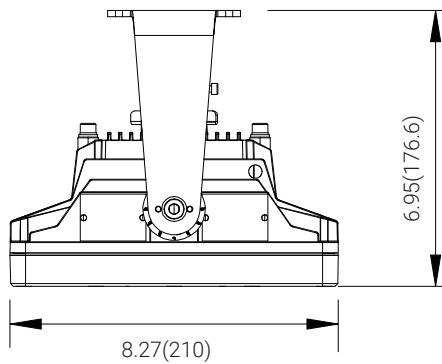
DIMENSIONS

unit: in(mm)



Pendant

unit: in(mm)



Yoke

HAZARDOUS LOCATION LIGHTING BASICS

Atmosphere Groups

Temperature Classification

Substance	Hazard Class	Division Groups	Zone Groups	Max. Surface Temperatures	NEC® 500 CEC®	NEC® 505/IEC-Group II
Acetylene	Class I Flammable Gases	Group A	IIC	450°C(842°F)	T1	T1
Hydrogen		Group B	IIC	300°C(572°F)	T2	
Ethylene		Group C	IIB	280°C(536°F)	T2A	T2
Propane		Group D	IIA	260°C(500°F)	T2B	
Methane		Group D	IIA ²	230°C(446°F)	T2C	
Combustible Metal Dusts	Class II Combustible Dusts	Group E ¹	IIIC ³	215°C(419°F)	T2D	T3
Combustible Carbonaceous Dust		Group F	IIIB ³	200°C(392°F)	T3	
Combustible Dusts not in Group E or F (Flour, Grain, Wood, Plastics, Chemicals)		Group G	IIIB ³	180°C(256°F)	T3A	
Combustible Fibers and Flyings				Class III Fibers and Flyings	Not Applicable	
				160°C(320°F)	T3C	T4
				135°C(275°F)	T4	
				120°C(248°F)	T4A	T4
				100°C(212°F)	T5	T5
				85°C(185°F)	T6	T6

Note 1: Group E is applicable to Class II, Division 1 only.
 Note 2: Methane is a Group IIA Gas for non-mining applications.
 Note 3: Group IIIA, IIIB and IIIC have not been adopted by the Canadian Electrical Code.

Classification of Divisions and Zones

Hazard Level	Division Scheme	Zone Scheme	Definitions
Continuous Hazard	Division 1	Zone 0 / Zone 20	A place in which an explosive atmosphere is continually present
Intermittent Hazard		Zone 1 / Zone 21	A place in which an explosive atmosphere is likely to occur in normal operation
Hazard Under Abnormal Conditions	Division 2	Zone 2 / Zone 22	A place in which an explosive atmosphere is not likely to occur in normal operation, but may occur for short periods

IP Codes

1st No.	Solid Objects
0	No protection
1	Objects greater than 50mm
2	Objects greater than 12.5mm
3	Objects greater than 2.5mm
4	Objects greater than 1mm
5	Dust protected
6	Dust proof
2nd No.	Liquids
0	No protection
1	Vertically dripping
2	Dripping up to 15°
3	Limited spraying
4	Splashing from all directions
5	Hosing jets from all directions
6	Strong hosing jets from all directions
7	Temporary immersion
8	Continuous immersion
9	Steam-jet cleaning

IK Ratings

IK Code	Level of Protection Achieved
IK00	Not protected
IK01	Protected against 0.14 joules impact
IK02	Protected against 0.2 joules impact
IK03	Protected against 0.35 joules impact
IK04	Protected against 0.5 joules impact
IK05	Protected against 0.7 joules impact
IK06	Protected against 1 joules impact
IK07	Protected against 2 joules impact
IK08	Protected against 5 joules impact
IK09	Protected against 10 joules impact
IK10	Protected against 20 joules impact



+1 (262) 456-5002
contact@redskylighting.com
www.redskylighting.com

RED SKY LIGHTING LLC
9370 Pittsburgh Ave.
Rancho Cucamonga, CA 91730, USA

Disclaimer

All product information is subject to change without notice.
Please contact Red Sky Lighting or your sales representative for the most up-to-date specifications.

Rev.06 04/26