

RETROFIT WITH ROUND SERIES

HAZARDOUS LOCATION



ADAPTERS FOR:

Champ VMV & VMVL
Appleton Mercmaster II
Appleton Mercmaster III

RED SKY
SERIOUSLY SAFE LIGHTS™

ABOUT RED SKY LIGHTING

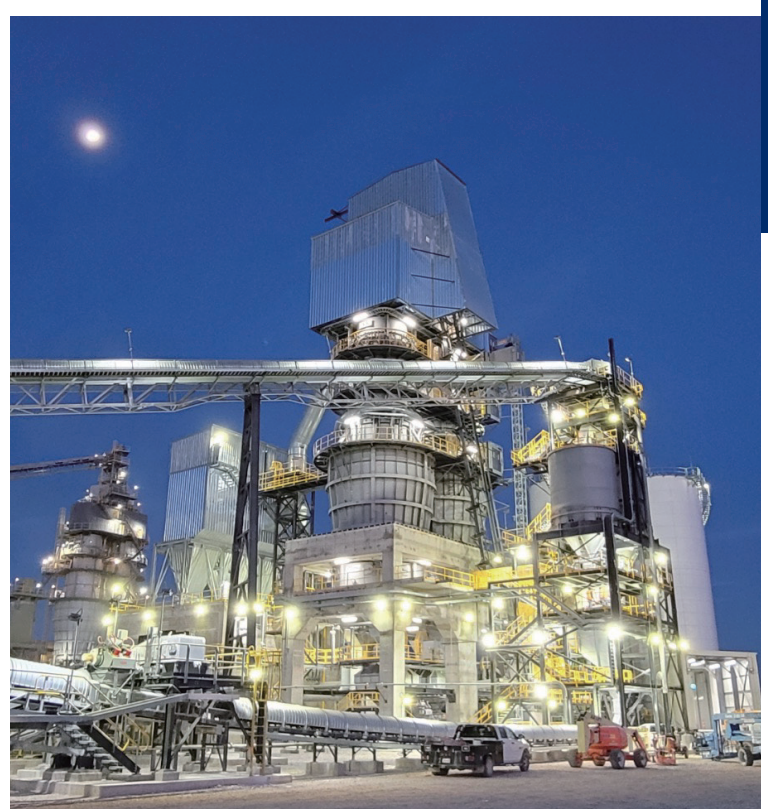
PIONEERING INDUSTRIAL ILLUMINATION FOR HARSH & HAZARDOUS CONDITIONS

A leading manufacturer of premium LED lights for demanding work conditions

Headquartered in California, products assembled in the USA

Servicing global clients across 4 continents in metal processing, oil & gas, marine, manufacturing

Renowned for quality, dependability, client care and uncompromising safety standards



WHY CHOOSE RED SKY

❧ SERIOUSLY SAFE LIGHTS

- Rigorously tested in our professional labs
- Surpassing industry certifications and safety protocols
- Crafted with highest grade components for maximum durability

❧ TOP-NOTCH SERVICES

- Team of experts for seamless support
- Energy audit services, lighting simulation services
- Hassle-free return policy and management

❧ FAST DELIVERY

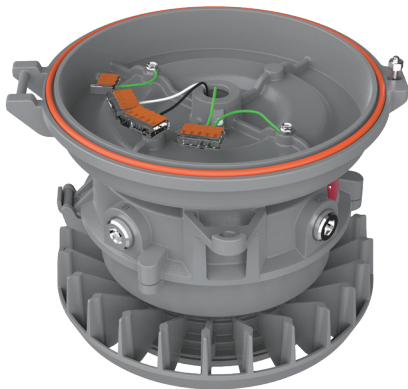
- Majority of orders delivered within 14 days
- Same day shipping for products in stock
- Real-time order tracking for full transparency






❧ SUSTAINABLE SOLUTIONS

- High luminous efficacy LEDs for energy savings
- Conscious product design
- Recyclable materials for products and packaging



FEATURES



-  Ideal for harsh and hazardous applications
-  One-person installation for quick, hassle-free upgrades from existing HID's to LEDs
-  Smart design allows for easy conversion to Crouse-Hinds Champ VMV, Appleton Mercmaster II,III
-  Easily convert wall, ceiling and stanchion mounts without accessing conduit system
-  Plug & Play: Fixture ships with WAGO connectors, wires, and adapter pre-installed for quick, hassle-free installation.

RATINGS

Class I, Division 2, Groups A, B, C, D
Class II, Division 1 Groups E, F, G
Class II, Division 2, Groups F, G
Class III
Class I, Zone 2, Group IIC
Zone 21, Group IIIC
UL 1598C Wet Locations
NEMA 4X(Fixture only)
IP66(Fixture only)
IK08(Glass)
IK10(PC)
Salt Spray 720 hrs (ASTM B117)

CERTIFICATIONS

UL844
UL1598C
CSA C22.2 No. 250.1
CSA C22.2 No. 137
FCC Part 15, Subpart B

TECHNICAL PARAMETERS

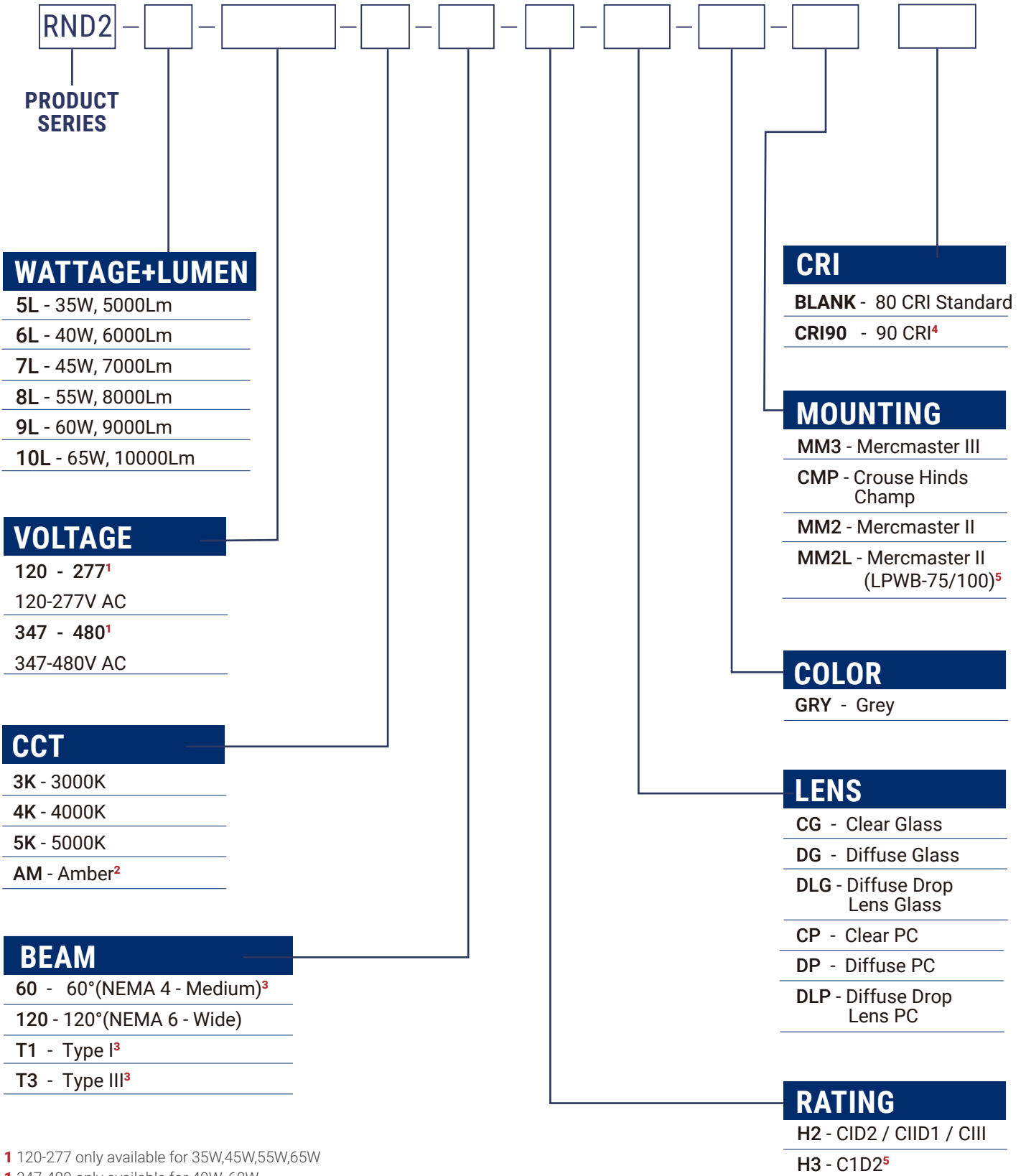
Specification	RND2-5L	RND2-6L	RND2-7L	RND2-8L	RND2-9L	RND2-10L
Electrical Parameters						
Power	35W	40W	45W	55W	60W	65W
Rated Input Current(120V AC)	0.324A	/	0.416A	0.509A	/	0.601A
Rated Input Current(277V AC)	0.140A	/	0.180A	0.220A	/	0.260A
Rated Input Current(347V AC)	/	0.128A	/	/	0.192A	/
Rated Input Current(480V AC)	/	0.092A	/	/	0.138A	/
Voltage(V AC)	120-277	347-480	120-277	120-277	347-480	120-277
Frequency	50/60Hz					
Power Factor	≥0.90					
THD	<20%					
L70	127,000 hrs@140°F					
Dimming	0-10V, Range 10-100%				/	0-10V, Range 10-100%
Surge Protection	10KV					
Supply Wire	12-18AWG, Rated 90°C					
Warranty	LEDs: 10 years, Driver: 7 years					
Optical Parameters						
Lumen Output*	5,048Lm	5,617Lm	6,532Lm	7,982Lm	8,901Lm	9,591Lm
Lumen Efficacy*	150Lm/W					
Available Beam Angle	60°/120°/T1/T3					
Correlated Color Temperature (CCT)	3000K/4000K/5000K/Amber					
Color Rendering Index (CRI)	80 CRI					
Mechanical Parameters						
Housing Material	Die-cast aluminum					
Hardware	Stainless steel 316					
Lens Material	Tempered Glass / Polycarbonate					
Mounting Cover Options	MM3/CMP/MM2/MM2L**					
Product Weight	MM3-16.09lbs/7.3kg, CMP-14.77lbs/6.7kg, MM2-14.33lbs/6.5kg					
Package Weight	MM3-18.74lbs/8.5kg, CMP-17.42lbs/7.9kg, MM2-16.98lbs/7.7kg					
Cable Entry	(4) 3/4" NPT					
Product Dimensions(L×W×H)	MM3-13.6×12.1×9.3 in (345×307×235 mm) CMP-11.6×10.3×8.2 in (295×261×208 mm) MM2-10.5×9.7×8.7 in (266×246×220 mm)					
Package Dimensions(L×W×H)	12.8×12.8×10.4 in (325×325×265 mm)					
Environmental Parameters						
Ambient Operating Temperature	-40°F ~ +140°F (-40°C ~ 60°C)					
T-Code Rating	CID2 - T4A, CIID1 - T5					
EPA wind rating (FT2/m ²)	1.520/0.141					

* Value calculated based on 5000K, 80 CRI and clear glass ,varies to different spec.

** MM2L only available with C1D2

ORDERING INFORMATION

EXAMPLE: RND2-6L-120-277-5K-60-H3-CG-GRY-MM3



¹ 120-277 only available for 35W,45W,55W,65W

¹ 347-480 only available for 40W, 60W

² Only available with Beam 120

³ Only available with Clear Glass & Clear PC

⁴ CRI90 expects longer leadtime

⁵ MM2L only available with H3, H3 only available for MM2L

RETROFIT OPTIONS

Appleton® Mercmaster III



Pendant	Ceiling	Wall	Stanchion
KPA-75, 100	KPC-75	KPWB-75	KPS-125
KPAF-75, 100	KPC-100	KPWB-100	KPS-150
KPCH-75, 100			KPST-125
			KPST-150

Eaton's Crouse-Hinds-Champ®



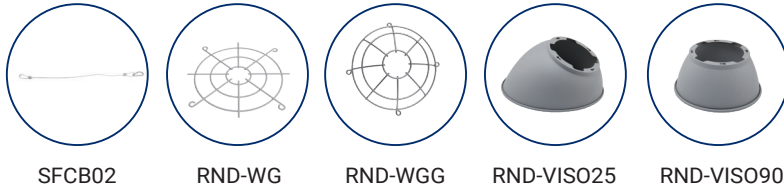
Pendant	Ceiling	Wall	Stanchion	Quad Mount
APM2	CM2	TWM2	JM5	QM25
APM3	CM3	TWM3	PM5	
HPM2				

Appleton® Mercmaster II



Pendant	Ceiling	Wall	Stanchion
LPA-75	LPC-75	LPWB-75	LPS-125
LPA-100	LPC-100	LPWB-100	LPS-150

MOUNTING ACCESSORIES



PN	Description	MPN Code
SFCB02	Safety Cable Kit, SUS304	210010094
RND-WG	Wire Guard, SUS304	210100104
RND2-WGG	Wire Guard for Globe Lens, SUS304	210100105
RND-VISO25	Visor, 25 Degrees, Aluminium Alloy, Powder-Coated Grey RAL 7037	210010088
RND-VISO90	Visor, 90 Degrees, Aluminium Alloy, Powder-Coated Grey RAL 7037	210010087

REPLACEMENT PARTS (ORDERED SEPARATELY)

Part Number	Description	MPN Code
RND2-35-120-277-Driver	Replacement Driver Kit for RND2-35-120-277 Fixtures	303010028
RND2-45-120-277-Driver	Replacement Driver Kit for RND2-45-120-277 Fixtures	303010029
RND2-55-120-277-Driver	Replacement Driver Kit for RND2-55-120-277 Fixtures	303010030
RND2-65-120-277-Driver	Replacement Driver Kit for RND2-65-120-277 Fixtures	303010031
RND2-40-347-480-Driver	Replacement Driver Kit for RND2-40-347-480V Fixtures	303010032
RND2-60-347-480-Driver	Replacement Driver Kit for RND2-60-347-480V Fixtures	303010033
CG002-A-01	Replacement Clear Glass Lens for RND2, RND X2	303030004
DG002-A-01	Replacement Diffuse Glass Lens for RND2	303030005
DLG002-A-01	Replacement Drop Glass Lens for RND2	303030006
DLP002-A-01	Replacement Diffuse Drop Lens PC Diffuser for RND2	303030032
CP002-A-01	Replacement Clear PC Lens for RND2	303030033
DP002-A-01	Replacement Diffuse PC Lens for RND2	303030034
RTR002-A-01	Retrofit adapter, Powder-coated Grey RAL 7037, compatible with Eaton's Crouse-Hinds – Champ®	201010116
RTR002-B-01	Retrofit adapter, Powder-coated Grey RAL 7037, compatible with Appleton® Mercmaster II	201010118
RTR002-C-01	Retrofit adapter, Powder-coated Grey RAL 7037, compatible with Appleton® Mercmaster III	201010117

A DIRECT RETROFIT FROM HID TO LED

The RND series LED is easy to retrofit in the same configuration as your existing HID luminaires. For example, a 65-watt Round (RND2-65) delivers virtually the same illumination as its equivalent 200 watt Metal Halide luminaire while providing 80% reduction in energy costs and up to 148,000 hours of continuous operation.



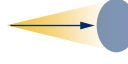
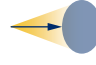
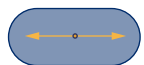

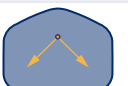
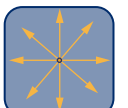
MODELS	Lumen Output (Lm)	MH Equivalent (W)	HPS Equivalent (W)
RND2-5L	5,048	150	150
RND2-7L	6,532	175	225
RND2-8L	7,982	200	225
RND2-10L	9,591	200	250

THE RIGHT BEAM PATTERN FOR YOUR APPLICATION

RSL optic package is engineered to deliver maximum footcandles efficiently where you need them, without wasted light or overspill.

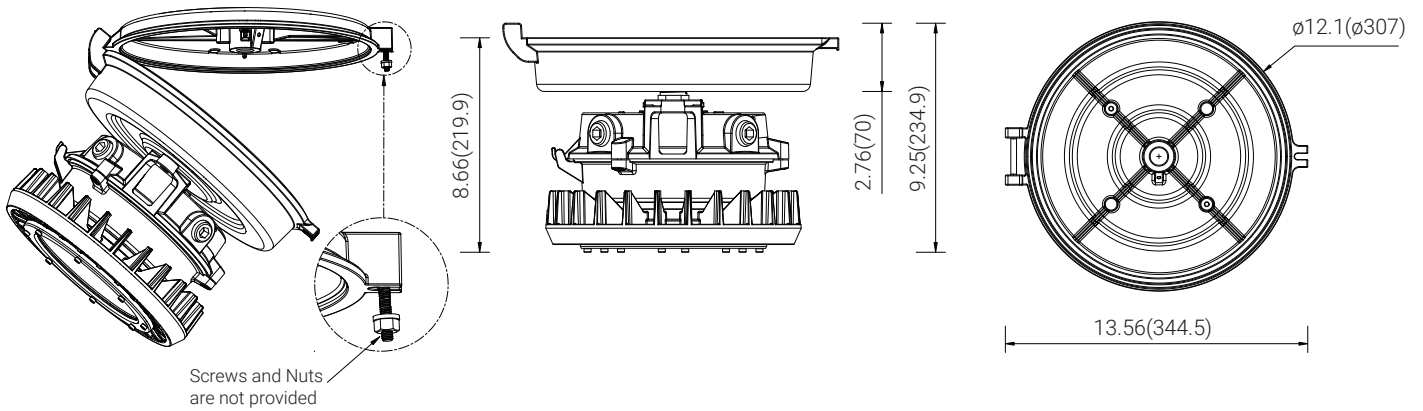
RSL offers complimentary lighting design services for our products using industry-leading AGI32 software, tailored for projects of all sizes in harsh and hazardous locations. We assist you in determining the number of fixtures needed, the types of lights to use, their optimal placement, and how to maximize energy savings—all within budget.

Simply fill out the form (<https://dev.redskylighting.com/lighting-design>) with a few key details, request a layout, and we'll bring your ideas to life within 2-5 business days.

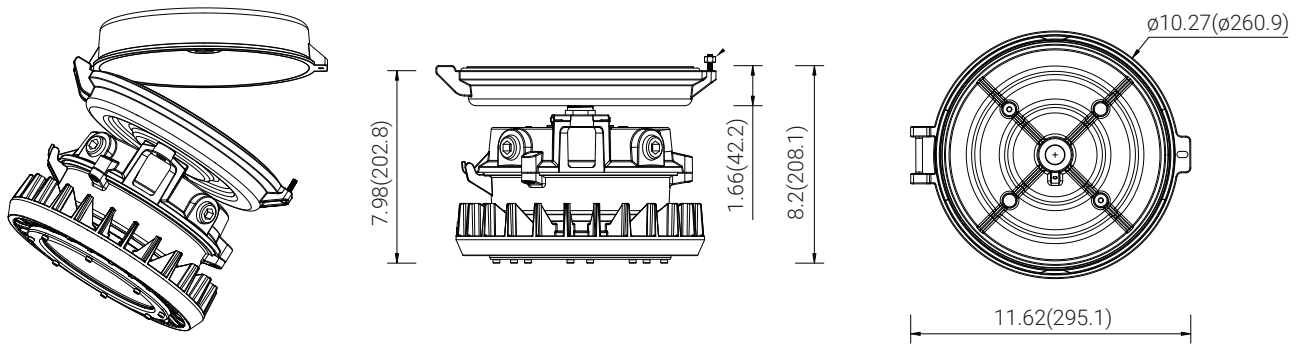
Beam	NEMA/IESNA Type	Beam Description	Beam Projection Distance
30°	NEMA 3	Medium Narrow	
60°	NEMA 4	Medium	
90°	NEMA 5	Medium Wide	
120°	NEMA 6	Wide	
T1	Type I	Asymmetric distributions, well suited for narrow areas, such as Conveyor belts, Aisleways, Catwalks, Loading docks and Tunnels.	
T2	Type II	Asymmetric distributions, well suited for narrow areas, such as roadways, paths and driveways.	
T3	Type III	Asymmetric distributions, well suited for site / area perimeters, wide roadways, and open areas.	
T5	NEMA 7 Type V (Square)	Very Wide: symmetrical pattern with excellent uniformity for large, open areas.	

PRODUCTS ACCOMMODATED

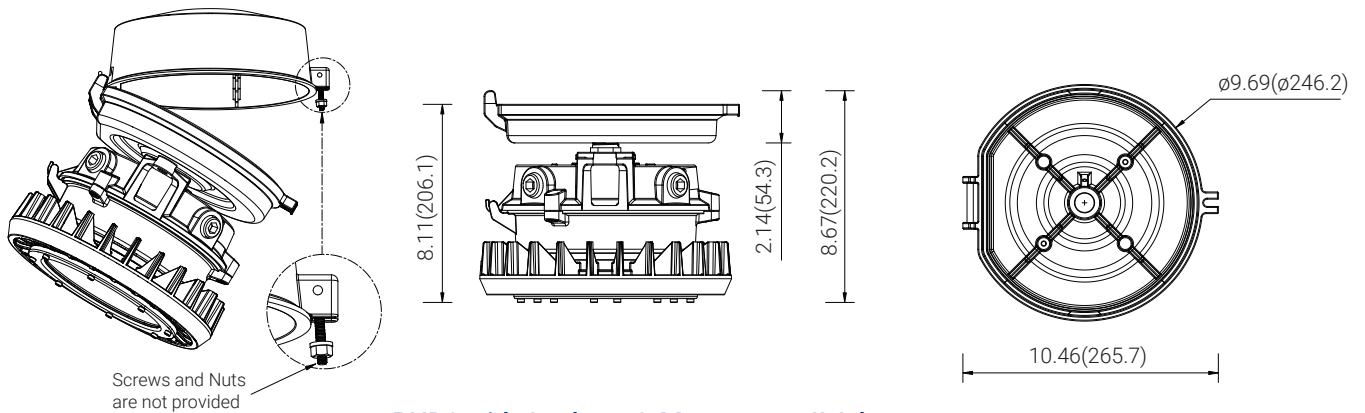
unit: in (mm)



RND2 with Appleton® Mercmaster III Adapter



RND2 with Crouse-Hinds – Champ® Adapter



RND2 with Appleton® Mercmaster II Adapter

HAZARDOUS LOCATION LIGHTING BASICS

Atmosphere Groups

Temperature Classification

Substance	Hazard Class	Division Groups	Zone Groups	Max. Surface Temperatures	NEC®500 CEC®	NEC®505/IEC-Group II
Acetylene	Class I Flammable Gases	Group A	IIC	450°C(842°F)	T1	T1
Hydrogen		Group B	IIC	300°C(572°F)	T2	
Ethylene		Group C	IIB	280°C(536°F)	T2A	T2
Propane		Group D	IIA	260°C(500°F)	T2B	
Methane		Group D	IIA ²	230°C(446°F)	T2C	
Combustible Metal Dusts	Class II Combustible Dusts	Group E ¹	IIIC ³	215°C(419°F)	T2D	T3
Combustible Carbonaceous Dust		Group F	IIIB ³	200°C(392°F)	T3	
Combustible Dusts not in Group E or F (Flour, Grain, Wood, Plastics, Chemicals)		Group G	IIIB ³	180°C(256°F)	T3A	
Combustible Fibers and Flyings				Class III Fibers and Flyings	Not Applicable	
				160°C(320°F)	T3C	
				135°C(275°F)	T4	T4
				120°C(248°F)	T4A	
				100°C(212°F)	T5	T5
				85°C(185°F)	T6	T6

Note 1: Group E is applicable to Class II, Division 1 only.
 Note 2: Methane is a Group IIA Gas for non-mining applications.
 Note 3: Group IIIA, IIIB and IIIC have not been adopted by the Canadian Electrical Code.

Classification of Divisions and Zones

Hazard Level	Division Scheme	Zone Scheme	Definitions
Continuous Hazard	Division 1	Zone 0 / Zone 20	A place in which an explosive atmosphere is continually present
Intermittent Hazard		Zone 1 / Zone 21	A place in which an explosive atmosphere is likely to occur in normal operation
Hazard Under Abnormal Conditions	Division 2	Zone 2 / Zone 22	A place in which an explosive atmosphere is not likely to occur in normal operation, but may occur for short periods

IP Codes

1st No.	Solid Objects
0	No protection
1	Objects greater than 50mm
2	Objects greater than 12.5mm
3	Objects greater than 2.5mm
4	Objects greater than 1mm
5	Dust protected
6	Dust proof
2nd No.	Liquids
0	No protection
1	Vertically dripping
2	Dripping up to 15°
3	Limited spraying
4	Splashing from all directions
5	Hosing jets from all directions
6	Strong hosing jets from all directions
7	Temporary immersion
8	Continuous immersion
9	Steam-jet cleaning

IK Ratings

IK Code	Level of Protection Achieved
IK00	Not protected
IK01	Protected against 0.14 joules impact
IK02	Protected against 0.2 joules impact
IK03	Protected against 0.35 joules impact
IK04	Protected against 0.5 joules impact
IK05	Protected against 0.7 joules impact
IK06	Protected against 1 joules impact
IK07	Protected against 2 joules impact
IK08	Protected against 5 joules impact
IK09	Protected against 10 joules impact
IK10	Protected against 20 joules impact



+1 (262) 456-5002
contact@redskylighting.com
www.redskylighting.com

RED SKY LIGHTING LLC
9370 Pittsburgh Ave.
Rancho Cucamonga, CA 91730, USA

Disclaimer

All product information is subject to change without notice.
Please contact Red Sky Lighting or your sales representative for the most up-to-date specifications.

Rev.01 03/26