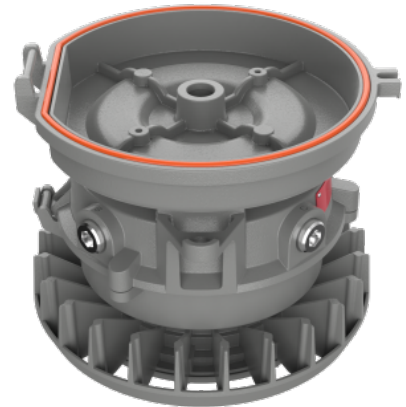


LED LUMINAIRE RETROFIT KITS

General Safety Information

- To reduce the risk of death, personal injury or property damage from fire, electric shock, falling parts, cuts/abrasions and other hazards, please read all warnings and instructions included with and on the fixture box and all fixture labels.
- Before installing, servicing, or performing routine maintenance upon this equipment, please follow these general precautions.
- Commercial installation, service and maintenance of luminaires should be performed by a qualified licensed electrician.
- DO NOT INSTALL DAMAGED PRODUCT!
- Make sure that the supply voltage is the same as the luminaire voltage.
- Do not install where the marked operating temperatures exceed the ignition temperatures of the hazardous atmosphere.
- Do not operate in ambient temperatures above those indicated on the luminaire nameplate.
- All gasket seals must be clean and undamaged.



WARNING:

RISK OF ELECTRICAL SHOCK

- Luminaire shall have provision for connection to threaded rigid metal conduit or other wiring methods in accordance with Article 502 in the National Electrical Code, NFPA 70.
- Turn off electrical power at fuse or circuit breaker box before wiring luminaire to the power supply.
- Turn off the power when you perform any maintenance.
- Verify that supply voltage is correct by comparing it with the luminaire label information.
- Make sure all electrical and grounded connections in accordance with the National Electrical Code and any applicable local code requirements and Hazloc requirements and suitable for wiring system.
- All wiring connections should be capped with UL approved wire connectors.
- Luminaire must be supplied by a wiring system with an equipment grounding conductor.

LED LUMINAIRE RETROFIT KITS

CAUTION:

RISK OF INJURY

Tightly close when energized for safety;
Do not open the luminaire after installation;
Always wear gloves and safety glasses
when removing luminaire from carton,
installing, servicing or performing maintenance.
Avoid direct eye exposure to the light source
while it is on.
Properly handle small parts and destroy
packing material, as these may be hazardous to
children.

RISK OF FIRE

Keep combustible and other materials that can burn
away from luminaire and lamp/lens.
MIN 90°C SUPPLY CONDUCTORS.

Compliance:

UL1598C/ UL844/ CSA C22.2 No. 250.1 / CSA C22.2 No. 137

ENCLOSURE ONLY WHEN USED WITH COMPATIBLE MOUNTING HOOD.

This RND2 series is suitable for use in the following hazardous (classified) areas as defined by the National Electrical Code (NEC) and Canadian Electrical Code (CEC):

Hazardous Locations

Class I, Division 2, Groups A, B, C, D

Class II, Division 1, Groups E, F, G

Class II, Division 2, Groups F, G

Class III

SIMULTANEOUS PRESENCE

Environmental Ratings

Suitable for wet locations

IP66, NEMA 4X (Fixture only)

Refer to the fixture nameplate for specific classification information, maximum ambient temperature suitability and corresponding operating temperature (T-Code).

LED LUMINAIRE RETROFIT KITS

APPLICATION

Retrofit with RND2 are designed for 1-for-1 retrofit installation and replacement in hazardous and ordinary locations without opening the conduit system, being able to mount directly to the pre-existing existing top hat from 3 legacy brands.

Retrofit with RND2 are compatible with the following existing top hat:

Eaton's Crouse-Hinds-Champ®				
Pendant	Ceiling	Wall	Stanchion	Quad Mount
APM2	CM2	TWM2	JM5	QM25
APM3	CM3	TWM3	PM5	
HPM2				

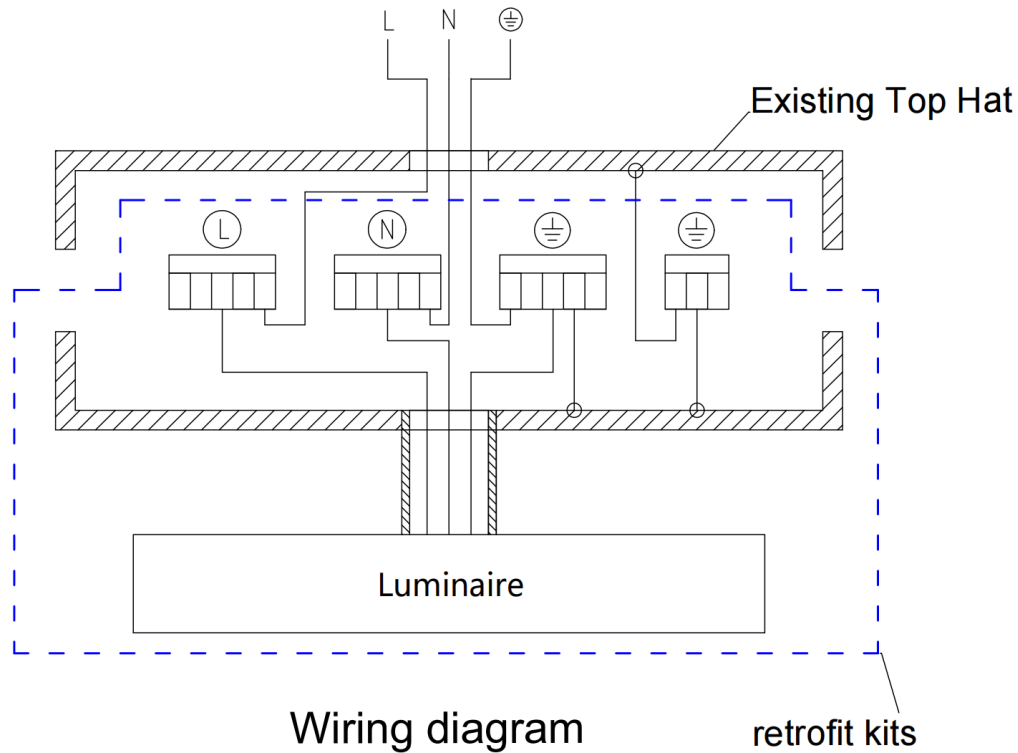
Appleton® Mercmaster III			
Pendant	Ceiling	Wall	Stanchion
KPA- 75, 100	KPC-75	KPWB-75	KPS-125
KPAF-75, 100	KPC-100	KPWB-100	KPS-150
KPCH-75, 100			KPST-125
			KPST-150

Appleton® Mercmaster II			
Pendant	Ceiling	Wall	Stanchion
LPA-75	LPC-75	LPWB-75	LPS-125
LPA-100	LPC-100	LPWB-100	LPS-150

LPWB series is only Suitable for Class I, Division 2.

LED LUMINAIRE RETROFIT KITS

General Wiring Diagram:



Note: Retrofit kits include Wago terminal blocks and pre-wired harnesses, but does not include the original wire harness for the existing top hat.

Caution: When replacing the wiring for the existing top hat, the grounding wire on the top hat must be properly connected.

Models:

LED LUMINAIRE RETROFIT KITS

RND2 Series

RND2 - 1 - 2 - 3 - 3A - 4 - 5 - 6 - 7 - 8 - 9

1 =Wattage + Lumen

(5L - 35 W, 5,000Lm

6L - 40 W, 6,000Lm

7L - 45 W, 7,000Lm

8L - 55 W, 8,000Lm

9L - 60 W, 9,000Lm

10L - 65 W, 10,000Lm)

2 = Voltage (120-277 Vac*, 347-480 Vac*)

3 = CCT (3K-3000K,4K- 4000K, 5k-5000K, AM-Amber**)

3A = Internal Code (Blank - Standard, HAR-Custom)

4 = Beam (60-60°***,120-120°,T1-Type I***, T3-Type III***,)

5 = Rating (H2-C1D2/C2D1/C3, H3-CID2****)

6 = Lens (CG - Clear Glass, DG=Diffuse glass, DLG - Diffuse Drop Lens Glass, CP=Clear PC, DP=Diffuse PC,DLP=Diffuse Drop Lens PC)

7 = Color (GRY=Grey)

8 = Mounting (MM3-Mercmaster III, CMP-Crouse-Hinds Champ, MM2-Mercmaster II, MM2L - Mercmaster II (LPWB-75/100) ****)

9=CRI (BLANK – 80 CRI Standard, CRI90 – 90 CRI*****)

* 120-277 only available for 35W,45W,55W,65W. 347-480 only available for 40W, 60W

** Only available with beam120°

*** Only available with Clear Glass & Clear PC

**** MM2L only available with H3, H3 only available for MM2L

***** CRI 90 option – expect longer lead time.

Not all product variations listed on this page are DLC qualified. Visit www.designlights.org/search to confirm qualification.

Operating characteristic:

Rated voltage	Power	Model	Ambient Temp	T-Code	
				C1D2	C2D1
120-277V AC	35W	RND2-5L	-40°C~+60°C	T4A	T5
	45W	RND2-7L			
	55W	RND2-8L			
	65W	RND2-10L			
347-480V AC	40W	RND2-6L			
	60W	RND2-9L			

Installation & Operation

RED SKY LIGHTING LLC

9370 Pittsburgh Ave Rancho Cucamonga, CA 91730, USA

+1 (262) 456-5002 / contact@redskylighting.com / www.redskylighting.com

LED LUMINAIRE RETROFIT KITS

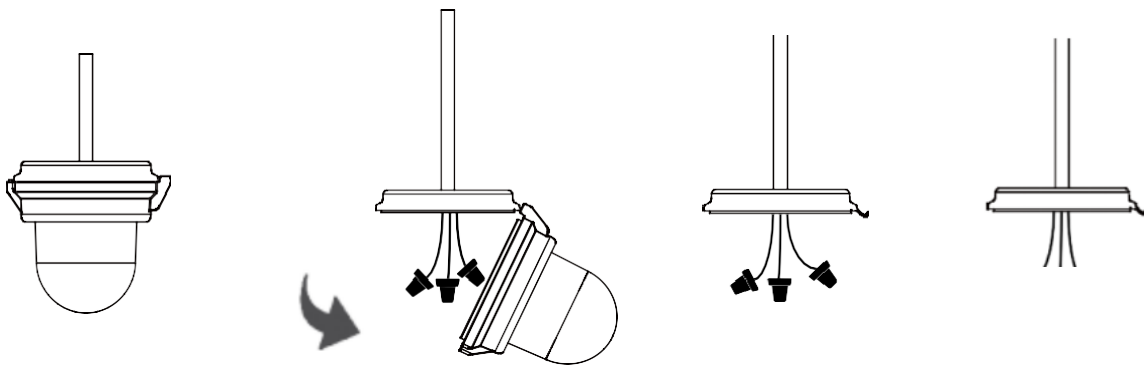
Wiring mode 1 (Inside Top Chamber - Standard)

STEP 1: Before replacing a new luminaire, confirm that the host luminaire must pass the UL844, CSA C22.2#137&UL 1598, CSA C22.2 No. 250.0 certification, otherwise it is not allowed to be replaced.

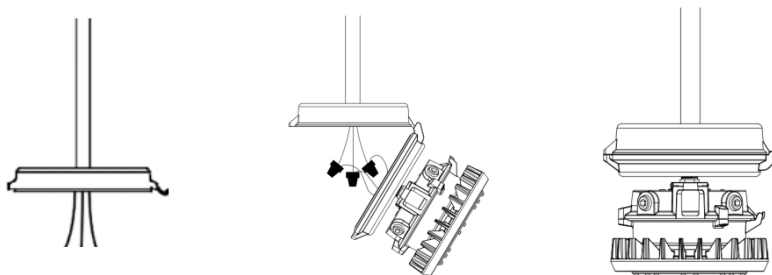
STEP 2: Make sure the power is turned off, the fixture you are replacing is de-energized; Disconnect the existing wiring; Remove the old fixture housing (including the old gasket) from the existing top hat. Remove the original connection terminal.

Check whether the threads between the existing top hat and the conduit are loose.

Inspect the existing top hat seal surfaces for damage and ensure that all gaskets and sealing surfaces are clean and free of debris. Wipe with a damp lint free cloth and then dry fully before installation.



STEP 3: Hang the assembled luminaire and adapter onto the hinge hook of the hood; Connect the supply wire, the grounding wire of the existing top hat, and the terminal of the retrofit kits in accordance with the wiring diagram. ensure that the existing top hat is connected to earth ground; Tighten all electrical connections.

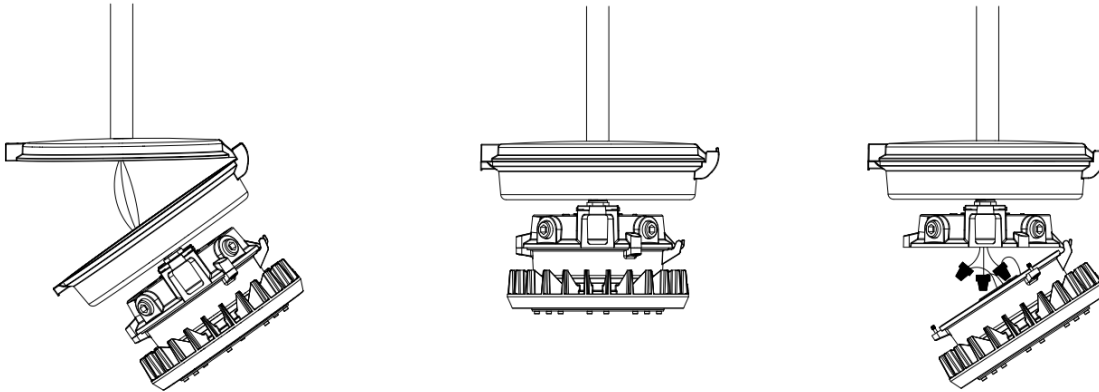


STEP 4: Seal the adapter onto the existing top hat by tightening the closing screw to recommended torque 60 in-lbs (6.78 N-m), making sure that all wires are safely inside and positioned appropriately.

STEP 5: Turn power on and verify proper operation of the luminaire.

LED LUMINAIRE RETROFIT KITS

Wiring mode 2 (Inside Fixture - Optional)



STEP 1: Hang the hinge shaft of retrofit kits on the existing top hat, thread the line in the existing top hat through the lower cover, close the upper and lower covers and lock the fastening bolts.

STEP 2: Open the driver tank of the luminaire and connect the field power line to the luminaire wire lead (Wago connector) according to the wiring diagram. Close the tank cover, making sure that all wires are safely inside the tank. Tighten three captive closing screws.

STEP 3: Turn power on and verify proper operation of the luminaire.

Label Placement Guide

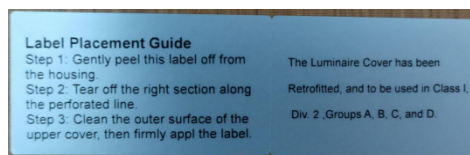
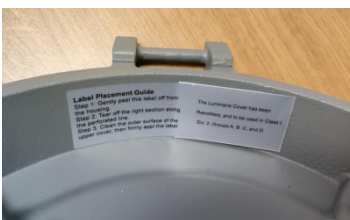
Please follow the instructions on the label located inside the housing.

Steps are as follows.

STEP 1: Gently peel this label off from the housing.

STEP 2: Tear off the right section along the perforated line.

STEP 3: Clean the outer surface of the upper cover, then firmly apply the label.



LED LUMINAIRE RETROFIT KITS

Servicing

To avoid personal injury, disconnect power to the light and allow the unit to cool down before performing maintenance.

Perform visual, electrical, and mechanical inspections on a regular basis. The environment and frequency of use should determine this. However, it is recommended that checks should be made at least once a year. Frequency of use and environment should determine this.

The external lens and Adapter should be cleaned periodically to ensure continued luminaire performance. Clean the lens and Adapter with a clean, damp, non-abrasive, lint-free cloth. If this is not sufficient, use a mild soap or a liquid cleaner. Do not use an abrasive, strong alkaline or acid cleaner as damage may occur.

Inspect the cooling fins on the luminaire to ensure that they are free of any contamination (i.e. excessive dust build-up). Clean with a non-abrasive cloth if needed.

Mechanically check to make sure all parts are properly assembled.

Electrically check to make sure that all connections are clean and tight.

Warranty

We warrant that each of our LED lighting luminaire and parts (the “Product(s)”) that are purchased while this Warranty is in effect will be free from defects in materials and workmanship for the period specified in the table below (the “Warranty Period”). The Warranty Period runs from the date of original purchase from its authorized distributor/dealer.

We will repair, or at our option, replace the defective product (exterior finish, housing and heat sinks, lens, LED engine, power supply) during the standard warranty period. This warranty applies only to the repair or replacement of the product and only when the product is properly handled, installed and maintained according to our instructions.

This warranty excludes defects resulting from improper installation, acts of God, fire, vandalism or civil disturbances, power surges or improper power supply, and corrosive environment installations.

This warranty does not cover equipment, systems or components from other manufacturers that the Purchaser uses in conjunction with the Product. Any repair, alteration or modification of the Product, including replacement of Product components with components of other manufacturers will void the warranty in its entirety

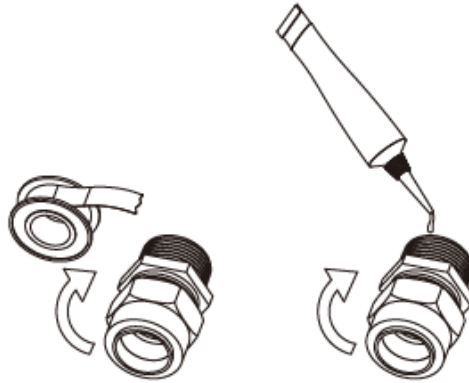
Product	Which Model Nos. are Covered by this Warranty	Warranty Period
RND2 Series	RND2 XXX-xxx-xxx	LEDs: 10 years Driver: 7 years

LED LUMINAIRE RETROFIT KITS

NPT Assembly Instructions:

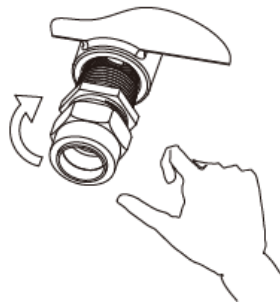
STEP 1: Inspect the port and fitting to ensure that both are free of contaminants and excessive burrs and nicks.

STEP 2: Apply a stripe of an anaerobic liquid pipe sealant around the male threads leaving the first two threads uncovered. If no liquid sealant is available, wrap Teflon tape (width of 12.7mm and thickness of 0.1mm) 2.5 - 3 turns in a clockwise direction, viewed from the pipe end, leaving the rest two threads uncovered.

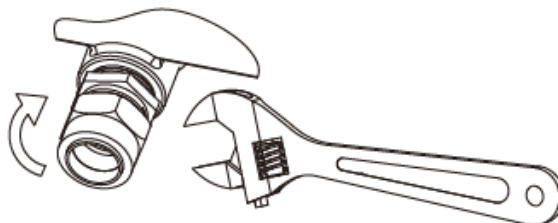


CAUTION: Teflon tape and some pipe sealants are destructive to hydraulic components. Always use extreme caution and follow manufacturer's recommendations for proper application of any sealant to prevent contamination.

STEP 3: Screw the fitting tight into the port.



STEP 4: Wrench tighten the fitting to the correct Turns Past Finger Tight position. A properly assembled fittings total thread engagement should be ≥ 5 turns.



CAUTION: Never back off an installed pipe fitting to achieve proper alignment.

Loosening installed pipe fittings will corrupt the seal and contribute to leakage and failure.

(*Applicable standard: ASME B1.20.1-2013)

LED LUMINAIRE RETROFIT KITS

The following warnings:

- 1a. "WARNING – RISK OF FIRE OR ELECTRIC SHOCK. THIS PRODUCT MUST BE INSTALLED IN ACCORDANCE WITH THE APPLICABLE INSTALLATION CODE BY A PERSON FAMILIAR WITH THE CONSTRUCTION AND OPERATION OF THE PRODUCT AND THE HAZARDS INVOLVED."
- 1b. "WARNING – RISK OF FIRE OR ELECTRIC SHOCK. INSTALL THIS KIT ONLY IN THE LUMINAIRE THAT HAS THE CONSTRUCTION FEATURES AND DIMENSIONS SHOWN IN THE PHOTOGRAPHS AND/OR DRAWINGS."
- 1c. "DO NOT MAKE OR ALTER ANY OPEN HOLES IN AN ENCLOSURE OF WIRING OR ELECTRICAL COMPONENTS DURING KIT INSTALLATION."
- 1d. "WARNING – TO PREVENT WIRING DAMAGE OR ABRASION, DO NOT EXPOSE WIRING TO EDGES OF SHEET METAL OR OTHER SHARP OBJECTS."
- 1e. "THIS RETROFIT KIT IS ACCEPTED AS A COMPONENT OF A LUMINAIRE WHERE THE SUITABILITY OF THE COMBINATION SHALL BE DETERMINED BY AUTHORITIES HAVING JURISDICTION.", "PRODUCT MUST BE INSTALLED BY A QUALIFIED ELECTRICIAN IN ACCORDANCE WITH THE APPLICABLE AND APPROPRIATE ELECTRICAL CODES. THE INSTALLATION GUIDE DOES NOT SUPERSEDE LOCAL OR NATIONAL REGULATIONS FOR ELECTRICAL INSTALLATIONS."
- 1f. "THIS DEVICE IS NOT INTENDED FOR USE WITH EMERGENCY EXITS."
- 1g. "Installers should examine all parts that are not intended to be replaced by the retrofit kit for damage and replace any damaged parts prior to installation of the retrofit kit."
- 1h. "WARNING – Risk of fire. Input ratings may need to be determined based on any configuration(s) permitted by the installation instructions. Regardless of the configuration(s) of the retrofit kit, the input ratings of the overall retrofit kit shall not exceed the marked input ratings of the host luminaire"
- 1i. "The installation instructions shall indicate the environmental locations the retrofit kit is suitable for Wet locations"
- 1j. "Prior to installation, review all environmental designation locations in the retrofit kit installation instructions. Only install in damp or wet locations if so indicated in the installation instructions."
- 1k. "RETROFIT ONLY WITH (Manufacturer) (Catalog Number) LUMINAIRE FITTINGS."
See Table I, Table II, Table III and Table IV for details.
- 1L. "WARNING - Risk of fire or electric shock. Luminaire wiring and electrical parts may be damaged when drilling for installation of LED retrofit kit. Check for enclosed wiring and components."

LED LUMINAIRE RETROFIT KITS

Table I					
Retrofit Cat. No.		RND2, followed by “-CMP”			
Listed Fitting Manufacturer		Cooper Crouse-Hinds(E10925)			
Listed Mounting Cover Type and Cat. No	Pendant	Ceiling	Wall	Stanchion	Quad Mount
	APM2	CM2	TWM2	JM5	QM25
	APM3	CM3	TWM3	PM5	/
	HPM2	/	/	/	/

Table II				
Retrofit Cat. No.		RND2, followed by “-MM3”		
Listed Fitting Manufacturer		APPLETON GROUP(E10444)		
Listed Mounting Cover Type and Cat. No	Pendant	Ceiling	Wall	Stanchion
	KPA- 75, 100	KPC-75	KPWB-75	KPS-125
	KPAF-75, 100	KPC-100	KPWB-100	KPS-150
	KPCH-75, 100	/	/	KPST-125
	/	/	/	KPST-150

Table III				
Retrofit Cat. No.		RND2, followed by -MM2”		
Listed Fitting Manufacturer		APPLETON GROUP(E10444)		
Listed Mounting Cover Type and Cat. No	Pendant	Ceiling	Wall	Stanchion
	LPA-75	LPC-75	/	LPS-125
	LPA-100	LPC-100	/	LPS-150

Table IV				
Retrofit Cat. No.		RND2, followed by -MM2L”		
Listed Fitting Manufacturer		APPLETON GROUP(E10444)		
Listed Mounting Cover Type and Cat. No	Pendant	Ceiling	Wall	Stanchion
	/	/	LPWB-75	/
	/	/	LPWB-100	/