

ROUND X2 SERIES

DC VERSION

LED LIGHTING FOR HARSH AND HAZARDOUS AREAS
AREA & LOWBAY



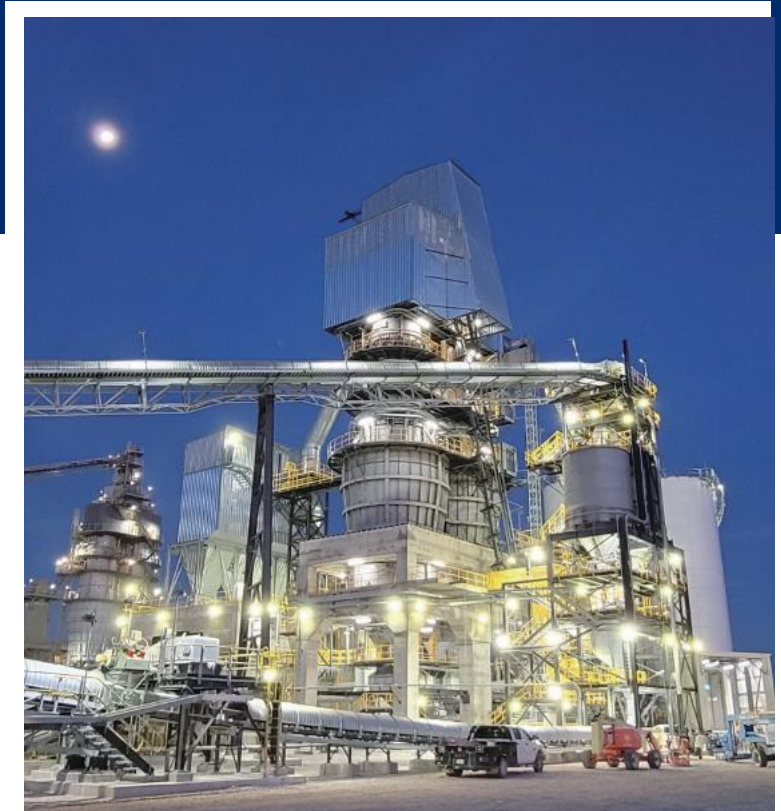
Reliable. Durable. Efficient.
4,000 to 10,500 lumen models

RED SKY
SERIOUSLY SAFE LIGHTS™

ABOUT RED SKY LIGHTING

PIONEERING INDUSTRIAL ILLUMINATION FOR HARSH & HAZARDOUS CONDITIONS

- A leading manufacturer of premium LED lights for demanding work conditions
- Headquartered in California, products assembled in the USA
- Servicing global clients across 4 continents in metal processing, oil & gas, marine, manufacturing
- Renowned for quality, dependability, client care and uncompromising safety standards



WHY CHOOSE RED SKY

❧ SERIOUSLY SAFE LIGHTS

- Rigorously tested in our professional labs
- Surpassing industry certifications and safety protocols
- Crafted with highest grade components for maximum durability

❧ TOP-NOTCH SERVICES

- Team of experts for seamless support
- Energy audit services, lighting simulation services
- Hassle-free return policy and management

❧ FAST DELIVERY

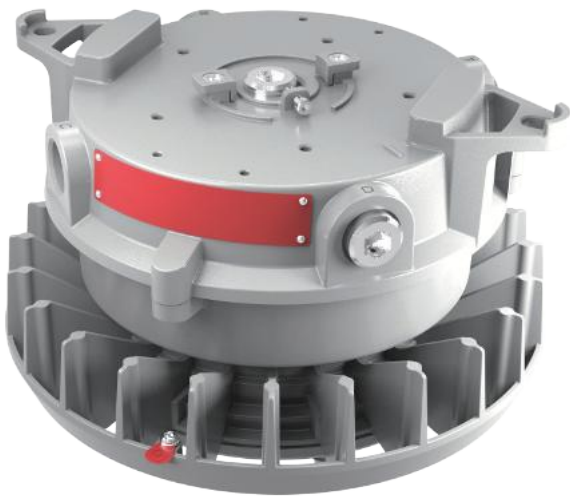
- Majority of orders delivered within 14 days
- Same day shipping for products in stock
- Real-time order tracking for full transparency

❧ SUSTAINABLE SOLUTIONS

- High luminous efficacy LEDs for energy savings
- Conscious product design
- Recyclable materials for products and packaging



FEATURES



Safe and reliable performance

Safe and reliable heat transfer-Offering a T-rating of T6 (Zone 2) / T85°C (Zone 21), LED Life L70>147,000 hrs of maintenance-free operation

3 Choices of Light Distributions

60° / 110° / 180° available for different applications from spot to flood for optimal light distribution

RATINGS

Zone 2,21
IP66
IK08
Salt Spray 720 hrs (ISO 9227)

CERTIFICATIONS

ATEX & UKEX

II 3G Ex ec nC nR IIC T4 Gc;II 2D Ex tb IIIC T110°C Db (65W)
II 3G Ex ec nC nR IIC T6 Gc ;II 2D Ex tb IIIC T85°C Db (25W/45W)

IECEX

Ex ec nC nR IIC T4 Gc;Ex tb IIIC T110°C Db (65W)
Ex ec nC nR IIC T6 Gc ;Ex tb IIIC T85°C Db (25W/45W)

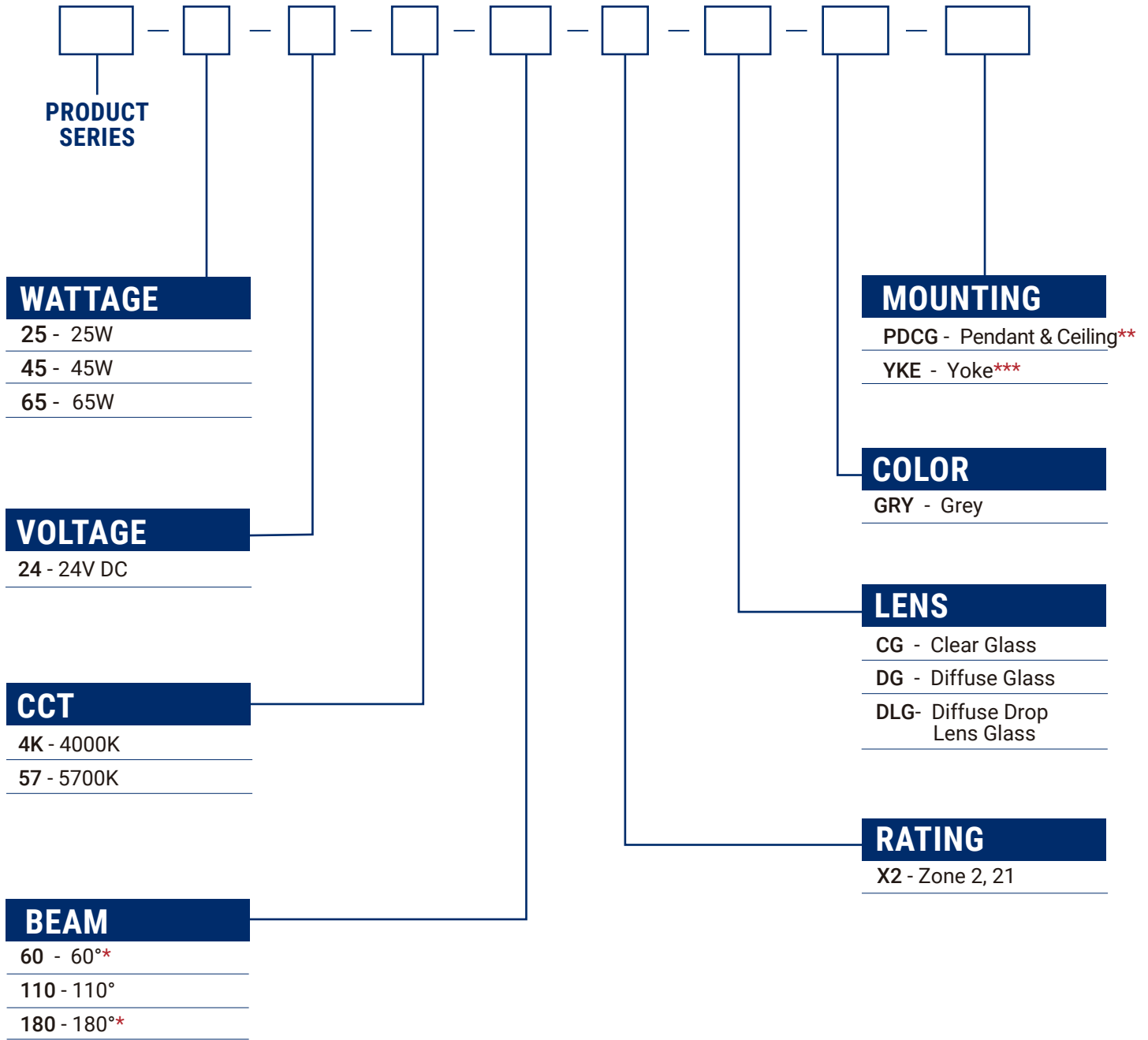
TECHNICAL PARAMETERS

| Specification | RND-25-24 | RND-45-24 | RND-65-24 |
|------------------------------------|---|-----------|------------------------|
| Electrical Parameters | | | |
| Power | 25W | 45W | 65W |
| Rated Input Current (V AC) | 1.042A | 1.875A | 2.709A |
| Voltage/Frequency | 24V DC | | |
| L70 | 147,000 hrs@55°C | | |
| Dimming | 0-10V | | |
| Supply Wire | 1mm ² -4mm ² , Rated 90°C | | |
| Warranty | 3 Years | | |
| Optical Parameters | | | |
| Lumen Output* | 4,096Lm | 7,067Lm | 10,209Lm |
| Lumen Efficacy* | 150Lm/W | | |
| Available Beam Angle | 60° / 110° / 180° | | |
| Correlated Color Temperature (CCT) | 4000K/5700K | | |
| Color Rendering Index (CRI) | Ra>70 | | |
| Mechanical Parameters | | | |
| Housing Material | Marine Grade Aluminium | | |
| Hardware | Stainless steel 316 | | |
| Lens Material | Tempered Glass | | |
| Mounting Options | Pendant, Yoke, Wall, Stanchion, Pole | | |
| Product Weight | 10.6lbs/4.8kg | | |
| Package Weight | 12.7lbs/5.8kg | | |
| Cable Entry | (5) 3/4" NPT | | |
| Product Dimensions(LxWxH) | 10.6x10.3x6in (269.4x262x151.7mm) | | |
| Package Dimensions(LxWxH) | 12.7x11.6x8.7in (323x295x220mm) | | |
| Environmental Parameters | | | |
| Ambient Operating Temperature | -40°C~+55°C | | |
| Optimal Operating Temperature | Gas – T6; Dust – 85°C | | Gas – T4; Dust – 110°C |
| EPA wind rating (FT2/m2) | 0.929/0.086 (Yoke), 0.917/0.085 (Stanchion) | | |

* Value calculated based on 5700K and Clear glass ,varies to different spec.

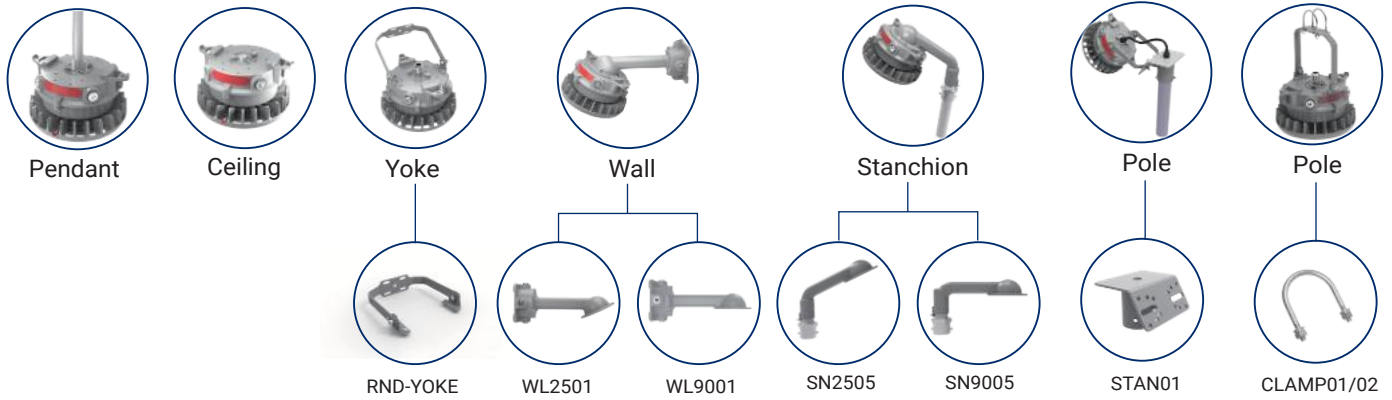
ORDERING INFORMATION

EXAMPLE: RND-45-24-57-110-X2-CG-GRY-PDCG



* 60° only with Clear Glass, 180° only with Diffuse Drop Lens Glass
 ** No accessory required for Pendant & Ceiling Mount
 *** RND-YOKE Pre-installed as standard

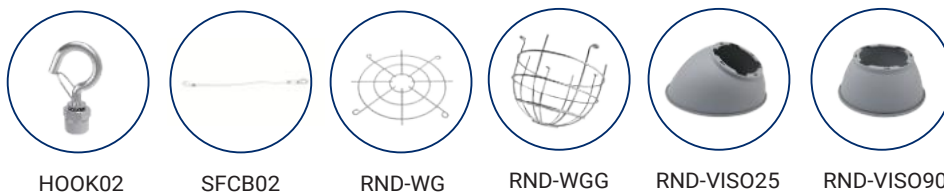
MOUNTING ACCESSORIES



| Mounting Method | PN | Description | MPN Code |
|-----------------|----------|--|-----------|
| Yoke | RND-YOKE | Yoke Mount, SUS304, Powder-Coated Grey RAL 7037 | 210010007 |
| Stanchion | SN2505 | Stanchion Mount, 25 Degrees, Adapter, NPT 1-1/2 inch Conversion for 1.9 inch (Φ50 mm) Pole OD, Powder-Coated Grey RAL 7037 | 210010033 |
| | SN9005 | Stanchion Mount, 90 Degrees, Adapter, NPT 1-1/2 inch Conversion for 1.9 inch (Φ50 mm) Pole OD, Powder-Coated Grey RAL 7037 | 210010034 |
| Wall | WL2502 | Wall Mount, 25 Degrees, Powder-Coated Grey RAL 7037 | 210010036 |
| | WL9002 | Wall Mount, 90 Degrees, Powder-Coated Grey RAL 7037 | 210010035 |
| Wall | STAN01* | Slip-Fit Stanchion Mount Kit for Φ2 inch (2-3/8 inch OD, 60mm OD) Poles, Non-Threaded, SUS304, Powder-Coated Grey RAL 7037 | 210010031 |
| Pole | CLAMP01 | Pipe Clamp Kit for Round Pole 1-7/8 inch OD (48 mm), SUS304 | 210010011 |
| | CLAMP02 | Pipe Clamp Kit for Round Pole 2-3/8 inch OD (60 mm), SUS304 | 210010010 |

* Requires A Yoke Mount

OTHER ACCESSORIES



| PN | Description | MPN Code |
|------------|---|-----------|
| HOOK02 | M10 Hook with 3/4 inch NPT Threads, SUS316 | 210010097 |
| SFCB02 | Safety Cable Kit, SS304 | 210010094 |
| RND-WG | Wire Guard, SUS304 | 210100104 |
| RND X2-WGG | Wire Guard for Globe Lens, SUS304 | 210100115 |
| RND-VISO25 | Visor, 25 Degrees, Aluminium Alloy, Powder-Coated Grey RAL 7037 | 210010088 |
| RND-VISO90 | Visor, 90 Degrees, Aluminium Alloy, Powder-Coated Grey RAL 7037 | 210010087 |

REPLACEMENT PARTS (ORDERED SEPARATELY)

| Part Number | Description | MPN Code |
|------------------|---|-----------|
| RND-25-24-Driver | Replacement Driver Kit for RND-25-24 Fixtures | 303010071 |
| RND-45-24-Driver | Replacement Driver Kit for RND-45-24 Fixtures | 303010072 |
| RND-65-24-Driver | Replacement Driver Kit for RND-65-24 Fixtures | 303010073 |
| CG002-A-01 | Replacement Clear Glass Lens for RND2, RND X2 | 303030004 |
| DG010-A-01 | Replacement Diffuse Glass Lens for RND X2 | 303030026 |
| DLG010-A-01 | Replacement Drop Glass Lens for RND X2 | 303030027 |

LUMEN TABLE

| PN | Wattage (W) | CCT | Beam | Lens | Lumen Output (Lm) | Efficiency (Lm/W) |
|---------------------------------|-------------|-------|------|-----------------|-------------------|-------------------|
| Voltage 24V DC | | | | | | |
| RND-25-24-57-60-X2-CG-GRY-YKE | 25 | 5700K | 60° | Clear Glass | 4,212 | 175 |
| RND-25-24-57-110-X2-CG-GRY-YKE | 25 | 5700K | 110° | Clear Glass | 4,096 | 158 |
| RND-25-24-57-180-X2-DLG-GRY-YKE | 25 | 5700K | 180° | Drop Lens Glass | 3,307 | 128 |
| RND-45-24-57-60-X2-CG-GRY-YKE | 45 | 5700K | 60° | Clear Glass | 7,613 | 165 |
| RND-45-24-57-110-X2-CG-GRY-YKE | 45 | 5700K | 110° | Clear Glass | 7,067 | 159 |
| RND-45-24-57-180-X2-DLG-GRY-YKE | 45 | 5700K | 180° | Drop Lens Glass | 5,907 | 125 |
| RND-65-24-57-60-X2-CG-GRY-YKE | 65 | 5700K | 60° | Clear Glass | 10,762 | 165 |
| RND-65-24-57-110-X2-CG-GRY-YKE | 65 | 5700K | 110° | Clear Glass | 10,209 | 149 |
| RND-65-24-57-180-X2-DLG-GRY-YKE | 65 | 5700K | 180° | Drop Lens Glass | 8,230 | 120 |

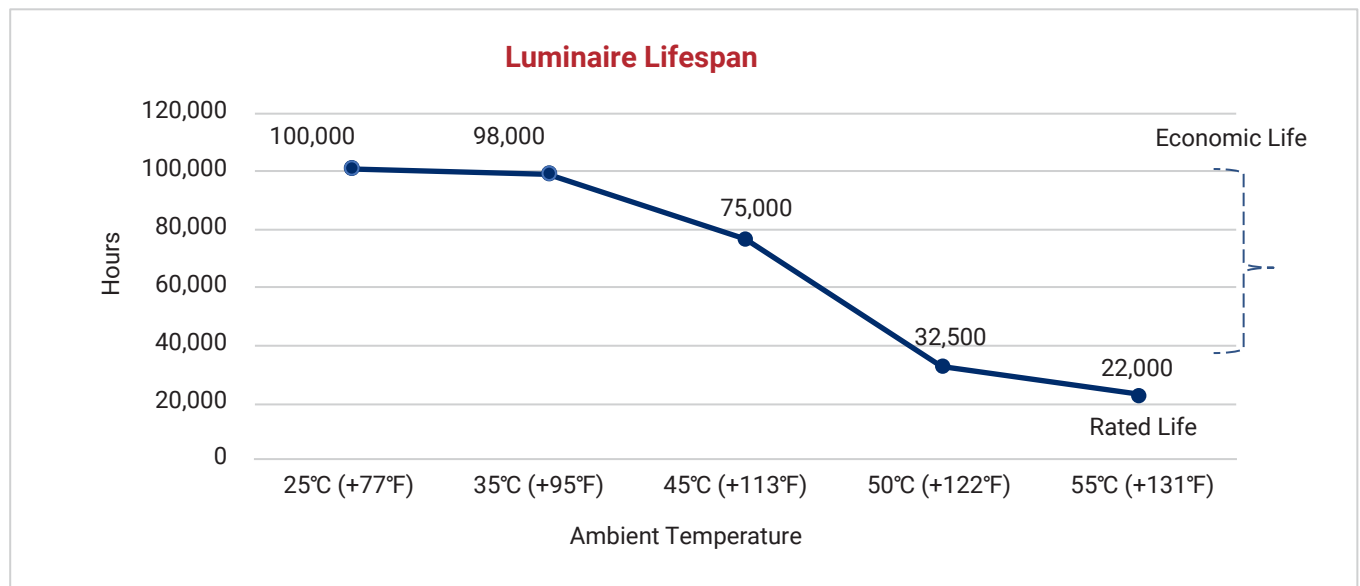
This table lists only selected lumen packages. For additional model parameters, please contact our sales team.
 Note: LXX# = nominal lumens. Verify lumen package before ordering.

LUMEN MAINTENANCE

| Hours Ambient | 0 | 15,000 | 30,000 | 45,000 | 60,000 | 75,000 | 90,000 | 100,000 | 150,000 |
|------------------|------|--------|--------|--------|--------|--------|--------|---------|---------|
| 25°C | 100% | 99% | 94% | 90% | 87% | 84% | 81% | 79% | 70% |
| 35°C | 100% | 99% | 94% | 90% | 87% | 84% | 81% | 79% | 70% |
| 45°C | 100% | 99% | 94% | 90% | 87% | 84% | 80% | 78% | 69% |
| 50°C | 100% | 99% | 93% | 90% | 86% | 83% | 79% | 77% | 68% |
| 55°C | 100% | 99% | 93% | 89% | 85% | 82% | 78% | 76% | 66% |

LUMINAIRE LIFESPAN

| Ambient Temperature | Luminaire Lifespan (Hours) | Rated Service Life - Years (24/7 Operation) | Rated Service Life - Years (12/7 Operation) |
|---------------------|----------------------------|---|---|
| 25°C (+77°F) | 100,000 | 11 | 23 |
| 35°C (+95°F) | 98,000 | 11 | 22 |
| 45°C (+113°F) | 75,000 | 9 | 17 |
| 50°C(+122°F) | 32,500 | 4 | 7 |
| 55°C(+131°F) | 22,000 | 3 | 5 |



Information shown for reference only and may vary by configuration.

A DIRECT RETROFIT FROM HID TO LED

The Round series LED is easy to retrofit in the same configuration as your existing HID luminaires. For example, a 75-watt Round (RND-75) delivers virtually the same illumination as its equivalent 250 watt MH luminaire while providing 70% reduction in energy costs and up to 150,000 hours of continuous operation.



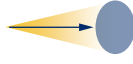
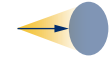


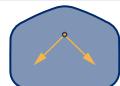
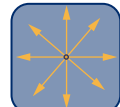
| MODELS | Lumen Output (Lm) | MH Equivalent (W) | HPS Equivalent (W) |
|--------|-------------------|-------------------|--------------------|
| RND-25 | 4,036 | 100 | 150 |
| RND-45 | 7,129 | 175 | 225 |
| RND-65 | 10,405 | 250 | 310 |
| RND-75 | 11,758 | 250 | 310 |

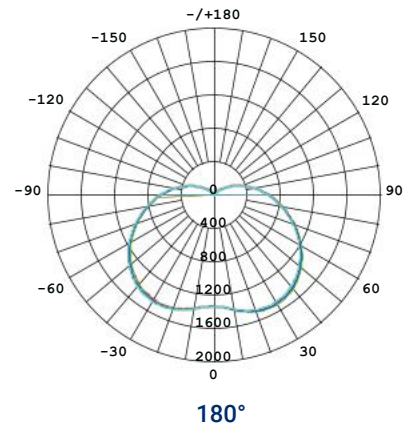
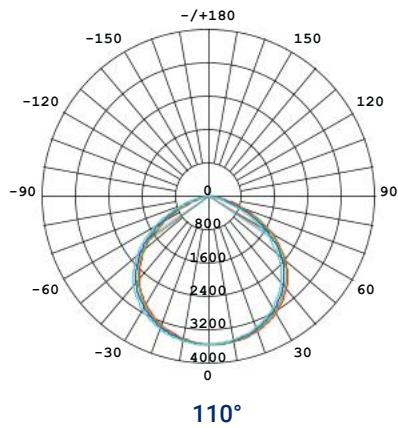
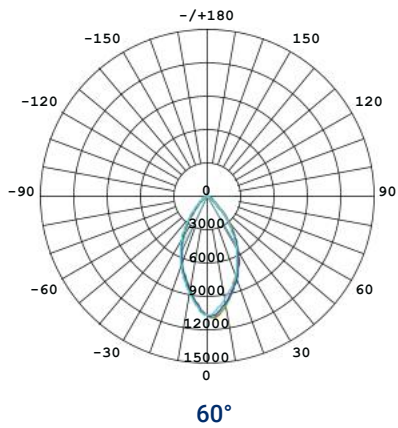
THE RIGHT BEAM PATTERN FOR YOUR APPLICATION

RSL optic package is engineered to deliver maximum footcandles efficiently where you need them, without wasted light or overspill.

RSL offers complimentary lighting design services for our products using industry-leading AGI32 software, tailored for projects of all sizes in harsh and hazardous locations. We assist you in determining the number of fixtures needed, the types of lights to use, their optimal placement, and how to maximize energy savings—all within budget.

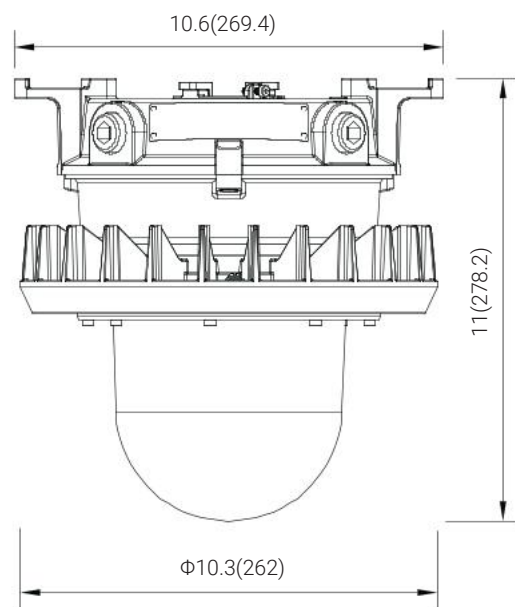
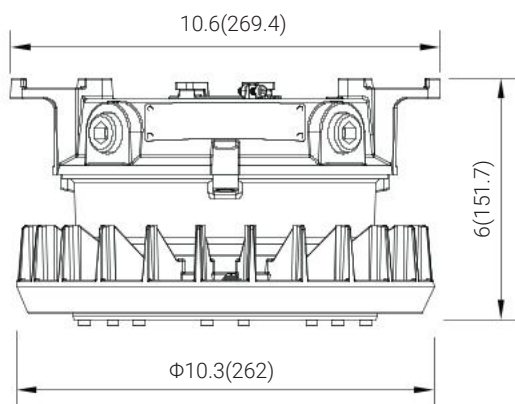
Simply fill out the form (<https://dev.redskylighting.com/lighting-design>) with a few key details, request a layout, and we'll bring your ideas to life within 2-5 business days.

| Beam | NEMA/IESNA Type | Beam Description | Beam Projection Distance |
|------|---------------------------|---|---|
| 30° | NEMA 3 | Medium Narrow |  |
| 60° | NEMA 4 | Medium |  |
| 90° | NEMA 5 | Medium Wide |  |
| 120° | NEMA 6 | Wide |  |
| T1 | Type I | Asymmetric distributions, well suited for narrow areas, such as Conveyor belts, Aisleways, Catwalks, Loading docks and Tunnels. |  |
| T2 | Type II | Asymmetric distributions, well suited for narrow areas, such as roadways, paths and driveways. |  |
| T3 | Type III | Asymmetric distributions, well suited for site / area perimeters, wide roadways, and open areas. |  |
| T5 | NEMA 7 Type V (Square) | Very Wide: symmetrical pattern with excellent uniformity for large, open areas. |  |



DIMENSIONS

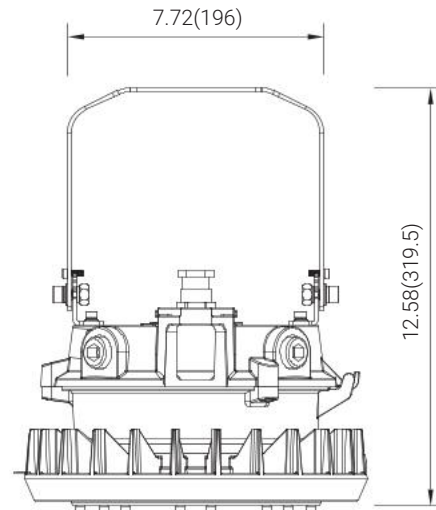
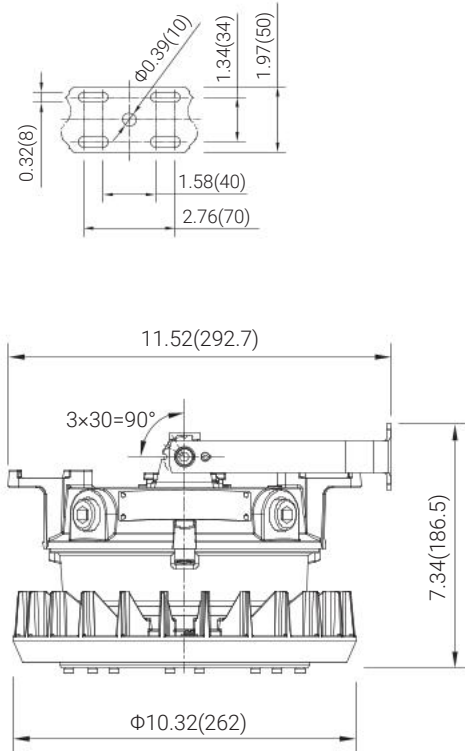
unit: in(mm)



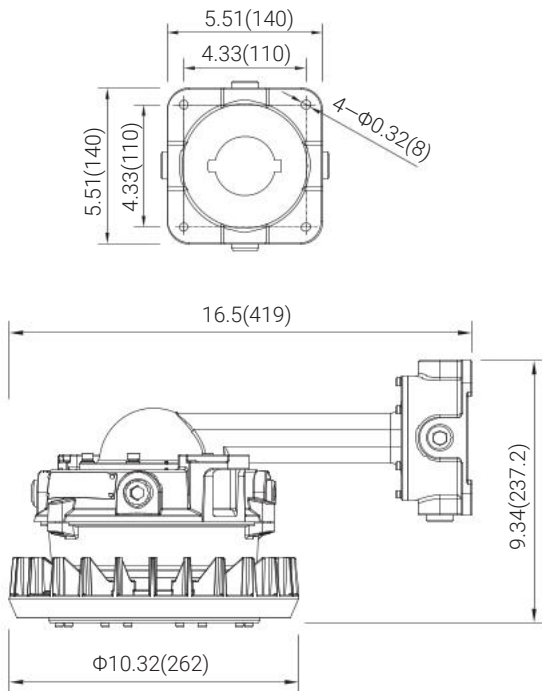
Pendant

DIMENSIONS

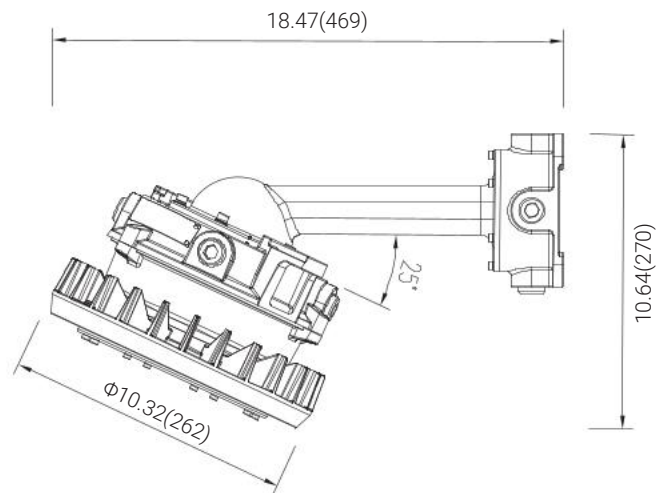
unit: in(mm)



Yoke

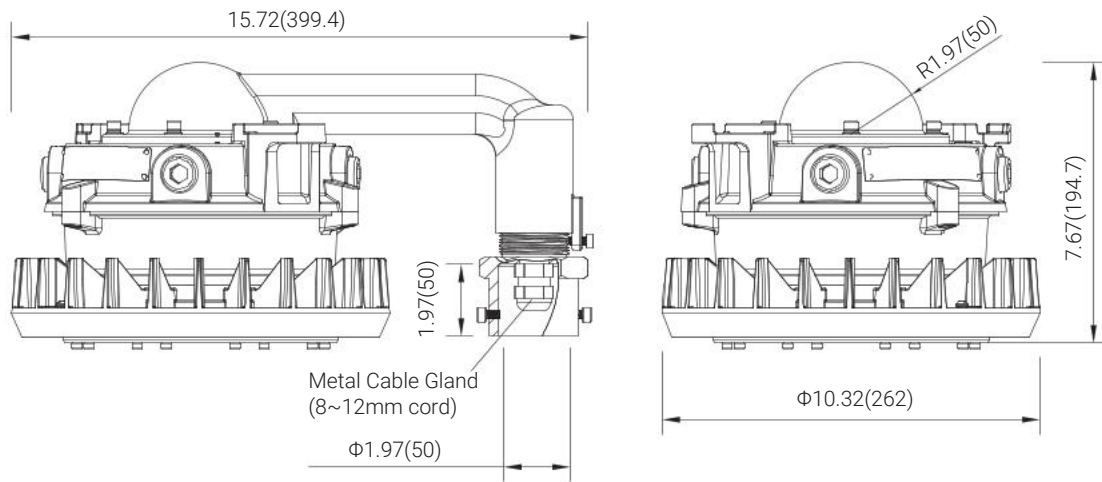


Wall 90°

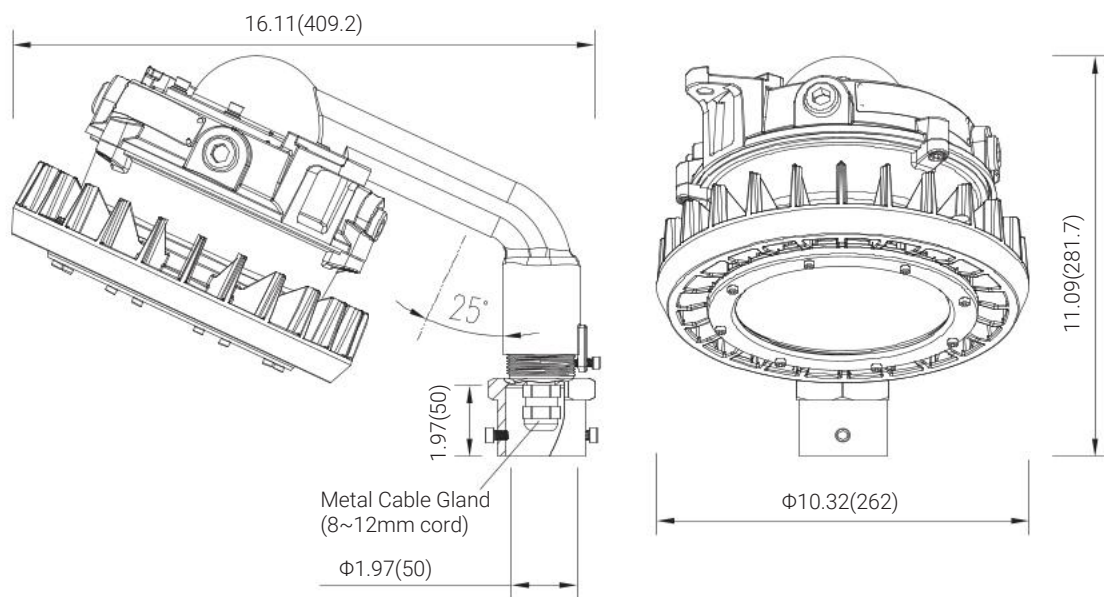


Wall 25°

unit: in(mm)

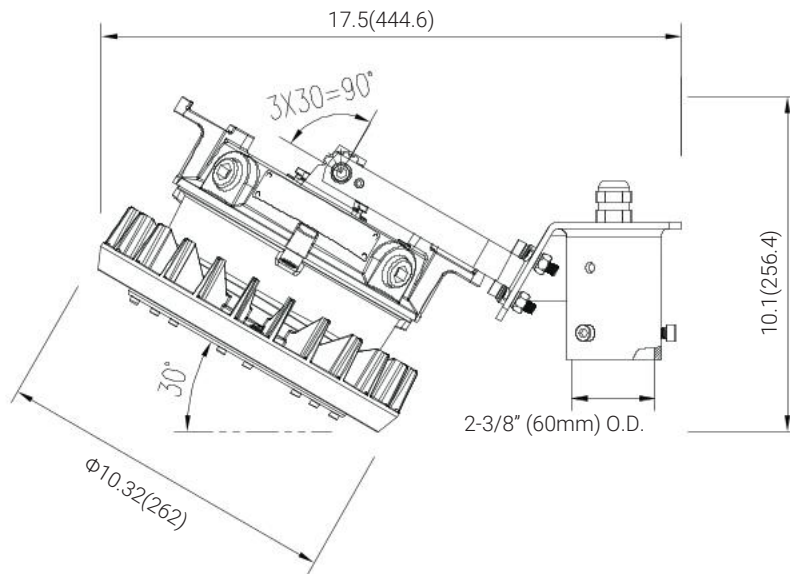


Stanchion 90°

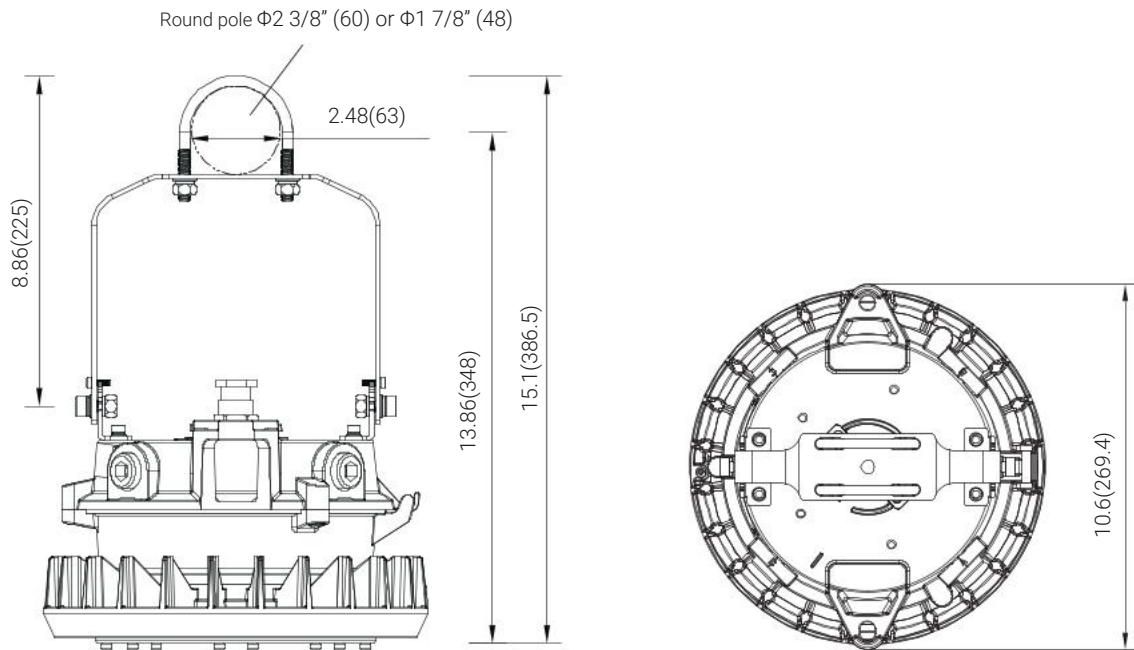


Stanchion 25°

unit: in(mm)



Pole
STAN01



Pole
CLAMP01/02

HAZARDOUS LOCATION LIGHTING BASICS

Atmosphere Groups

Temperature Classification

| Substance | Hazard Class | Division Groups | Zone Groups | Max. Surface Temperatures | NEC® 500 CEC® | NEC® 505/IEC-Group II |
|--|----------------------------------|-------------------|-------------------|---------------------------|---------------|-----------------------|
| Acetylene | Class I Flammable Gases | Group A | IIC | 450°C(842°F) | T1 | T1 |
| Hydrogen | | Group B | IIC | 300°C(572°F) | T2 | |
| Ethylene | | Group C | IIB | 280°C(536°F) | T2A | T2 |
| Propane | | Group D | IIA | 260°C(500°F) | T2B | |
| Methane | | Group D | IIA ² | 230°C(446°F) | T2C | |
| Combustible Metal Dusts | Group E ¹ | IIIC ³ | 215°C(419°F) | T2D | | |
| Combustible Carbonaceous Dust | Class II Combustible Dusts | Group F | IIIB ³ | 200°C(392°F) | T3 | T3 |
| Combustible Dusts not in Group E or F (Flour, Grain, Wood, Plastics, Chemicals) | | Group G | IIIB ³ | 180°C(256°F) | T3A | |
| Combustible Fibers and Flyings | | Not Applicable | IIIA ³ | 165°C(329°F) | T3B | |
| | | | | 160°C(320°F) | T3C | |
| | | | | 135°C(275°F) | T4 | T4 |
| | | | | 120°C(248°F) | T4A | |
| | | | | 100°C(212°F) | T5 | T5 |
| | | | | 85°C(185°F) | T6 | T6 |

Note 1: Group E is applicable to Class II, Division 1 only.
 Note 2: Methane is a Group IIA Gas for non-mining applications.
 Note 3: Group IIIA, IIIB and IIIC have not been adopted by the Canadian Electrical Code.

Classification of Divisions and Zones

| Hazard Level | Division Scheme | Zone Scheme | Definitions |
|----------------------------------|-----------------|------------------|--|
| Continuous Hazard | Division 1 | Zone 0 / Zone 20 | A place in which an explosive atmosphere is continually present |
| Intermittent Hazard | | Zone 1 / Zone 21 | A place in which an explosive atmosphere is likely to occur in normal operation |
| Hazard Under Abnormal Conditions | Division 2 | Zone 2 / Zone 22 | A place in which an explosive atmosphere is not likely to occur in normal operation, but may occur for short periods |

IP Codes

| 1st No. | Solid Objects |
|---------|--|
| 0 | No protection |
| 1 | Objects greater than 50mm |
| 2 | Objects greater than 12.5mm |
| 3 | Objects greater than 2.5mm |
| 4 | Objects greater than 1mm |
| 5 | Dust protected |
| 6 | Dust proof |
| 2nd No. | Liquids |
| 0 | No protection |
| 1 | Vertically dripping |
| 2 | Dripping up to 15° |
| 3 | Limited spraying |
| 4 | Splashing from all directions |
| 5 | Hosing jets from all directions |
| 6 | Strong hosing jets from all directions |
| 7 | Temporary immersion |
| 8 | Continuous immersion |
| 9 | Steam-jet cleaning |

IK Ratings

| IK Code | Level of Protection Achieved |
|---------|--------------------------------------|
| IK00 | Not protected |
| IK01 | Protected against 0.14 joules impact |
| IK02 | Protected against 0.2 joules impact |
| IK03 | Protected against 0.35 joules impact |
| IK04 | Protected against 0.5 joules impact |
| IK05 | Protected against 0.7 joules impact |
| IK06 | Protected against 1 joules impact |
| IK07 | Protected against 2 joules impact |
| IK08 | Protected against 5 joules impact |
| IK09 | Protected against 10 joules impact |
| IK10 | Protected against 20 joules impact |



+1 (262) 456-5002
contact@redskylighting.com
www.redskylighting.com

RED SKY LIGHTING LLC
9370 Pittsburgh Ave.
Rancho Cucamonga, CA 91730, USA

Disclaimer

All product information is subject to change without notice.
Please contact Red Sky Lighting or your sales representative for the most up-to-date specifications.