

ROUND MAX HARSH SERIES

LED LIGHTING FOR HARSH INDUSTRIAL ENVIRONMENTS



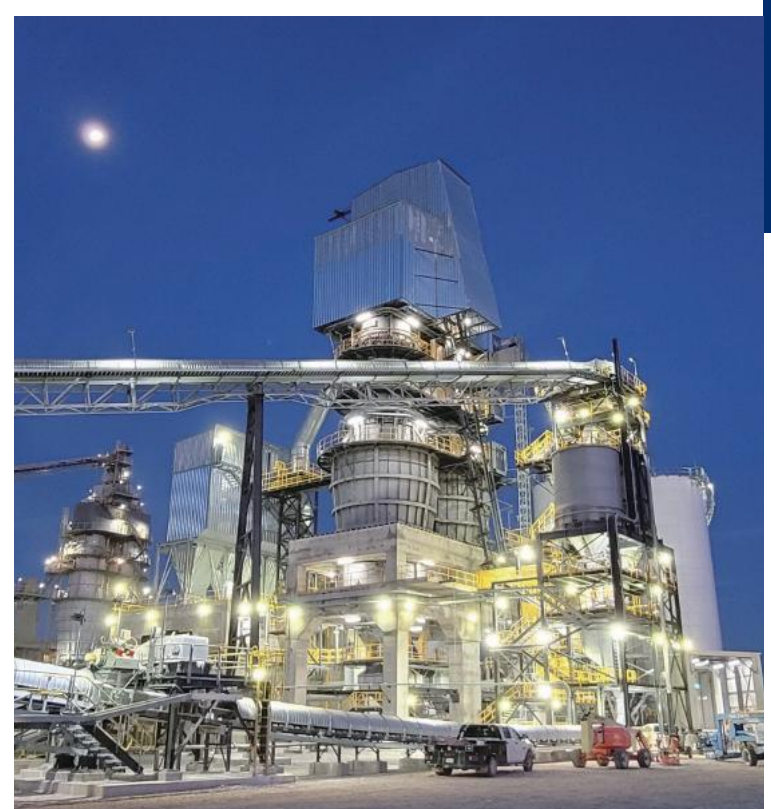
Reliable. Durable. Efficient.
12,000 to 26,000 lumen models

RED SKY
SERIOUSLY SAFE LIGHTS™

ABOUT RED SKY LIGHTING

PIONEERING INDUSTRIAL ILLUMINATION FOR HARSH & HAZARDOUS CONDITIONS

- A leading manufacturer of premium LED lights for demanding work conditions
- Headquartered in California, products assembled in the USA
- Servicing global clients across 4 continents in metal processing, oil & gas, marine, manufacturing
- Renowned for quality, dependability, client care and uncompromising safety standards



WHY CHOOSE RED SKY

↳ SERIOUSLY SAFE LIGHTS

- Rigorously tested in our professional labs
- Surpassing industry certifications and safety protocols
- Crafted with highest grade components for maximum durability

↳ TOP-NOTCH SERVICES

- Team of experts for seamless support
- Energy audit services and lighting simulation services
- Hassle-free return policy and management

↳ FAST DELIVERY

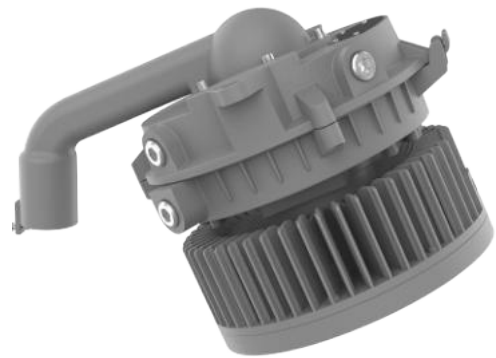
- Majority of orders delivered within 14 days
- Same day shipping for products in stock
- Real-time order tracking for full transparency

↳ SUSTAINABLE SOLUTIONS

- High luminous efficacy LEDs for energy savings
- Conscious product design
- Recyclable materials for products and packaging

ROUND MAX HARSH SERIES

UNMATCHED POWER AND BRIGHTNESS
– ROUND MAX HARSH SERIES BRINGS
BIG PERFORMANCE TO THE ROUND
SERIES LINEUP.



Prepare to transform your lighting solution with the extraordinary Round Max Harsh Series. It embodies the very essence of power and brightness. Designed for both indoor mid to high bay and outdoor general area applications, the Round Max Harsh Series is here to revolutionize your lighting experience.

With an impressive output of up to 26,000 lumens and equipped with type I, III, V, 30° and 60° optics, the Round Max Harsh Series effortlessly outshines the competition. It reduces the number of fixtures required for the same area, while delivering unparalleled brightness. Thanks to its innovative design and engineering, the Round Max Harsh Series offers swift installation, taking as little as 60 seconds to install. It's the perfect choice for illuminating shipyards, power plants, heavy manufacturing facilities, and other rugged industrial environments.





ROUND MAX SERIES
ALCOHOL FACTORY, KENTUCKY

FEATURES



Quick Installation
60 seconds installation time



Flexible Installation
7 different mounting options



Instant Illumination and Restrike
Four lumen outputs provide 320-1000W HID/MH equivalent lighting (12,000 to 26,000Lm)
Polycarbonate and tempered glass with three different optics

RATINGS

UL 1598 Wet Locations
UL 1598A Marine Outside Type (Salt Water)
IP66
IK08 (Glass) / IK10 (PC)
Salt Spray 720 hrs (ASTM B117)
NEMA 4X

CERTIFICATIONS

UL1598
UL1598A
CSA C22.2 No.250.0
DLC Standard*
FCC Part 15, Subpart B

* Not all product variations listed on this page are DLC qualified. Visit www.designlights.org/search to confirm qualification.

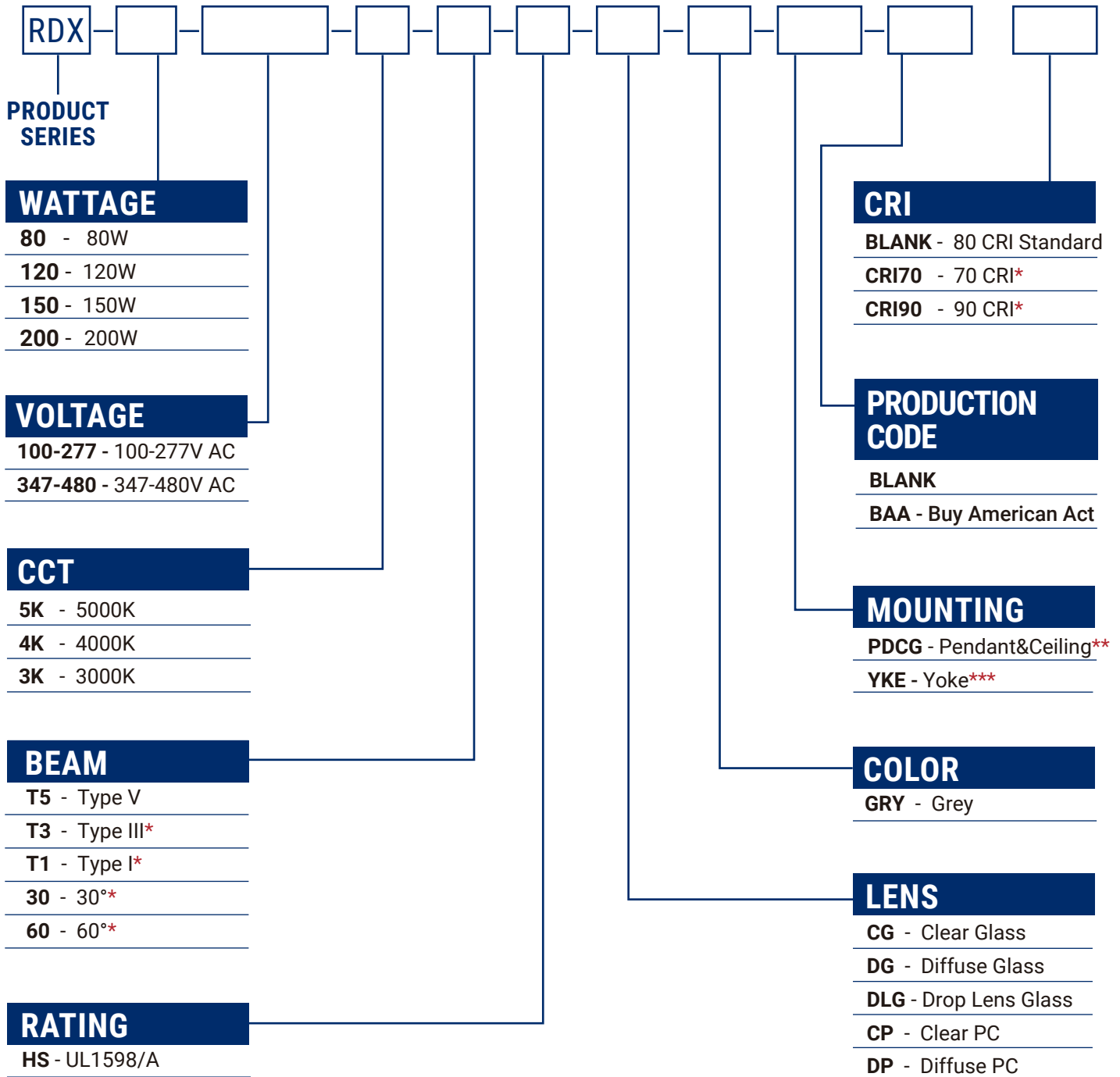
TECHNICAL PARAMETERS

Specification	RDX-80	RDX-120	RDX-150	RDX-200
Electrical Parameters				
Power	80W	120W	150W	200W
Rated Input Current (120V AC)	0.740A	1.111A	1.388A	1.851A
Rated Input Current (277V AC)	0.320A	0.481A	0.601A	0.802A
Rated Input Current (347V AC)	0.256A	0.384A	0.480A	0.640A
Rated Input Current (480V AC)	0.185A	0.277A	0.347A	0.462A
Voltage/Frequency	100-277V AC, 347-480V AC, 120V AC, 208-277V AC 50/60Hz			
Power Factor	≥0.90			
THD	<20%			
L70	112,000 hrs@149°F		112,000 hrs@140°F	110,000 hrs@131°F
Dimming	0-10V, Range 10-100%			
Surge Protection	10KV			
Supply Wire	12-18AWG, Rated 90°C			
Warranty	LEDs: 10 years, Driver: 7 years			
Optical Parameters				
Lumen Output**	12,157Lm	17,388Lm	21,771Lm	26,076Lm
Lumen Efficacy**	148Lm/W			
Available Beam Angle	T1/T3/T5/30°/60°			
Correlated Color Temperature (CCT)	3000K/4000K/5000K			
Color Rendering Index (CRI)	80 CRI			
Mechanical Parameters				
Housing Material	Copper-free (< 0.4%) aluminum			
Hardware	Stainless steel 316			
Lens Material	Tempered Glass or Polycarbonate			
Mounting Options	Pendant, Ceiling, Stanchion, Wall, Yoke, Junction Box, Stanchion slip fitter			
Product Weight	21.6lbs/9.8kg			
Package Weight	23.7lbs/10.8kg			
Cable Entry	(6) 3/4" NPT			
Product Dimensions(LxWxH)	Φ10.6x9.1in (Φ270x230mm)			
Package Dimensions(LxWxH)	Φ13x11in (Φ330x280mm)			
Environmental Parameters				
Ambient Operating Temperature	-40°F ~ +149°F(-40°C ~ 65°C)		-40°F ~ +140°F(-40°C ~ 60°C)	-40°F ~ +131°F(-40°C ~ 55°C)
EPA wind rating (FT2)	1.342(Yoke), 1.372(Ceiling), 1.222(Stanchion)			

* Value calculated based on 5000K, 80 CRI and Clear glass, varies to different spec.
CRI 70 & CRI 90 optional, DLC available with CRI 70 only.

ORDERING INFORMATION

EXAMPLE: RDX-80-100-277-5K-T5-HS-CG-GRY-PDCG-BAA



* T1, T3, 30°, 60° Optic available with Clear Glass and Clear PC Option only, CRI 90 option – expect longer lead time.
 DLC available with 70 CRI only. Not all product variations listed on this page are DLC qualified.
 Visit www.designlights.org/search to confirm qualification.

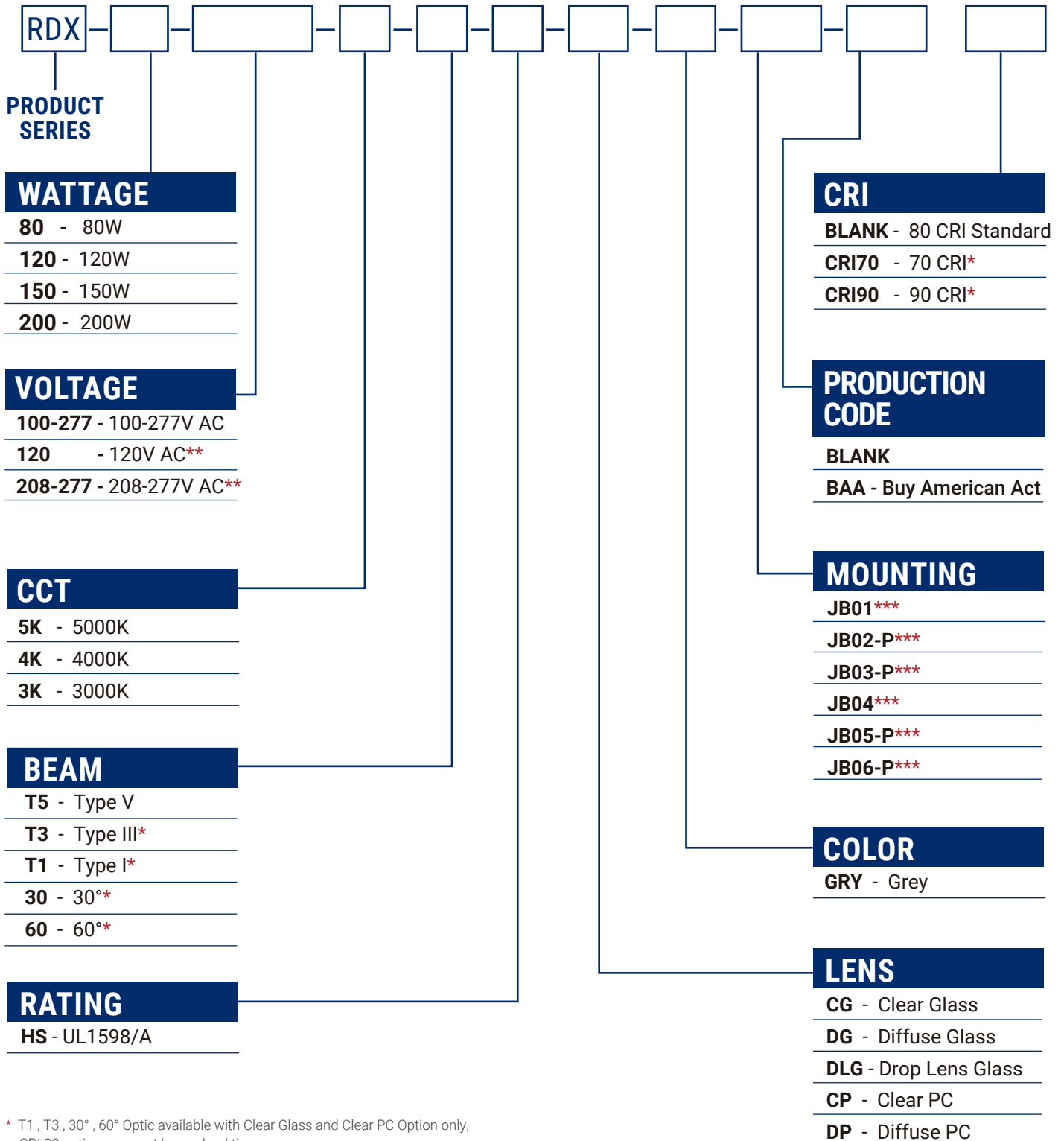
** No accessory required for Pendant & Ceiling Mount

** For mounting options: Stanchion / WALL, accessories ordered separately

*** RDX-YOKE Pre-installed.

ORDERING INFORMATION (JUNCTION BOX MODELS)

EXAMPLE: RDX-80-120-5K-T5-HS-CG-GRY-JB02-P-BAA

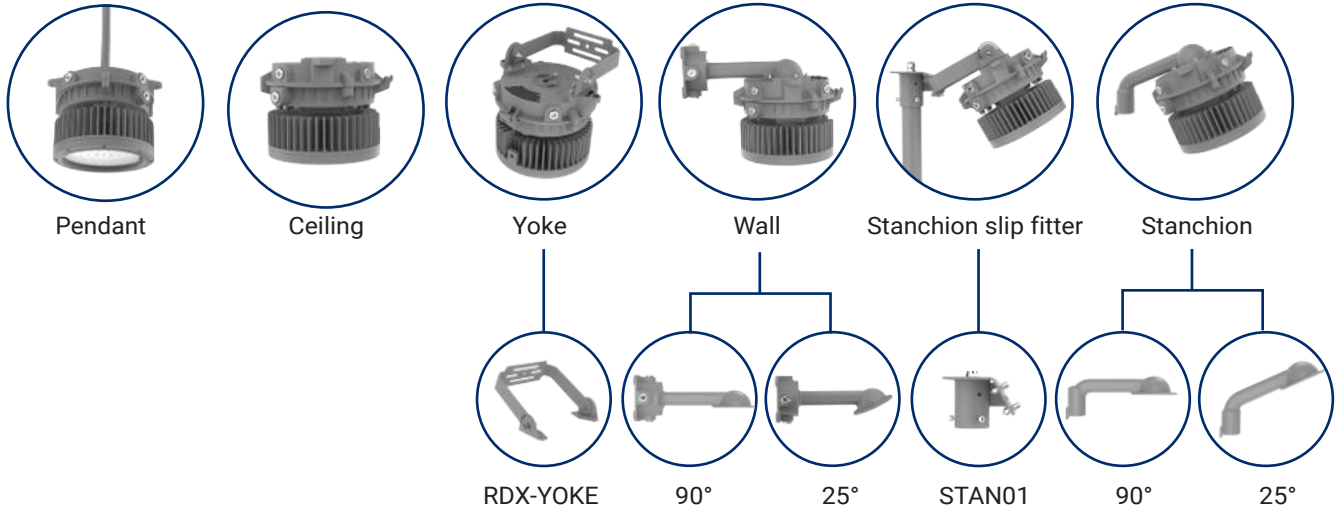


* T1 , T3 , 30° , 60° Optic available with Clear Glass and Clear PC Option only, CRI 90 option – expect longer lead time.
DLC available with 70 CRI only. Not all product variations listed on this page are DLC qualified.
Visit www.designlights.org/search to confirm qualification.

** 120V AC only for JB02-P and JB05-P; 208-77V AC only for JB03-P and JB06-P.

*** JB01: 1.5 inch (1.9 inch OD) and 2 inch (2-3/8 inch OD) NPT Threaded Slip-Fit Junction Box,
JB02-P: 1.5 inch (1.9 inch OD) and 2 inch (2-3/8 inch OD) NPT Threaded Slip-Fit Junction Box + Sensor (120V),
JB03-P: 1.5 inch (1.9 inch OD) and 2 inch (2-3/8 inch OD) NPT Threaded Slip-Fit Junction Box + Sensor (208-277V),
JB04: 1.5 inch (1.9 inch OD) and 2 inch (2-3/8 inch OD) Non-Threaded Slip-Fit Junction Box,
JB05-P: 1.5 inch (1.9 inch OD) and 2 inch (2-3/8 inch OD) Non-Threaded Slip-Fit Junction Box + Sensor (120V),
JB06-P: 1.5 inch (1.9 inch OD) and 2 inch (2-3/8 inch OD) Non-Threaded Slip-Fit Junction Box + Sensor (208-277V)
【JB01,JB02-P,JB03-P,JB04,JB05-P,JB06-P For luminaires marked for Class I, Division 2(H3)】

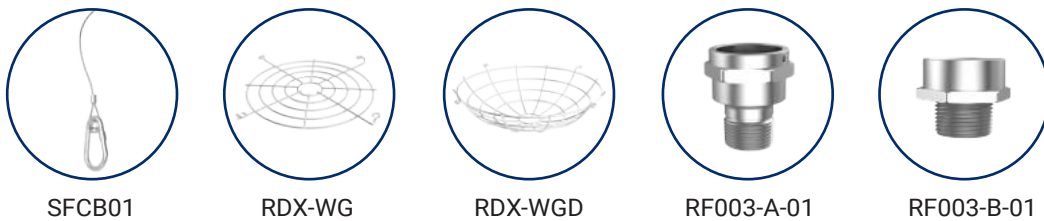
MOUNTING ACCESSORIES



Mounting Method	PN	Description	MPN Code
Yoke	RDX-YOKE	Yoke Mount, SUS304, Powder-Coated Grey RAL 7037	210010081
Wall	RDX-WL90 **	Wall Mount, 90 Degrees, Powder-Coated Grey RAL 7037	210010026
	WL2502 **	Wall Mount, 25 Degrees, Powder-Coated Grey RAL 7037	210010036
Stanchion slip fitter (Straight Pole)	STAN01 **	Slip-Fit Stanchion Mount Kit for 2 inch Diameter (2-3/8 inch OD, 60mm OD) Poles, Non-Threaded, SUS304, Powder-Coated Grey RAL 7037	210010031
Stanchion	RDX-SN2501 **	Stanchion Mount 25 Degree, NPT1-1/2	210010023
	RDX-SN2502 **	Stanchion Mount 25 Degree, NPT1-1/4	210010022
	RDX-SN9001 **	Stanchion Mount 90 Degree, NPT1-1/2	210010025
	RDX-SN9002 **	Stanchion Mount 90 Degree, NPT1-1/4	210010024

** Packed separately

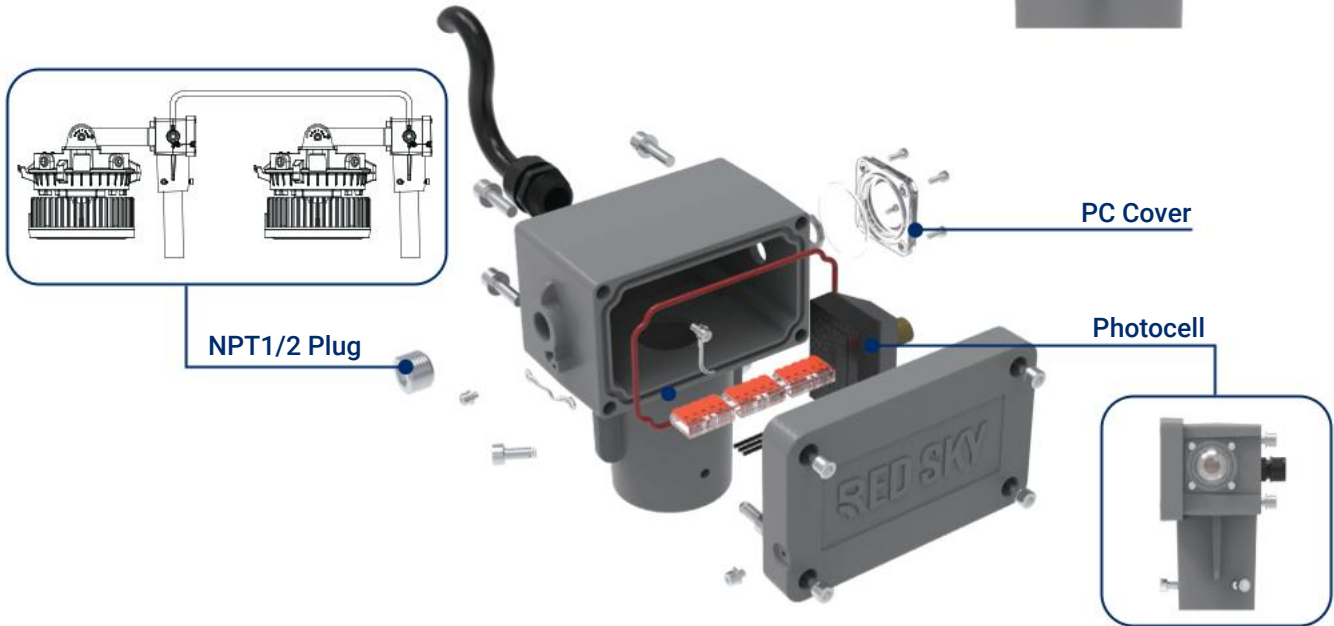
OTHER ACCESSORIES



PN	Description	MPN Code
SFCB01	Safety Cable Kit, SS304	210010086
RDX-WG	Wire Guard for Flat Glass Lens	210100111
RDX-WGD	Wire Guard for Drop Glass Lens	210100112
RF003-A-01	SUS304, 1 inch to 3/4 inch NPT Reducer for Pendant	210100106
RF003-B-01	SUS304, 1 inch to 3/4 inch NPT Reducer for Yoke & Ceiling & Wall	210100107

SLIP-FIT JUNCTION BOX

The **Junction Box** is a multi-piece assembly featuring a copper-free, cast-aluminum housing, front cover, and cable gland. The design accommodates both stanchion installation and other mounting options. It is compatible with 2" (2 3/8" OD) and 1.5" (1.9" OD) poles, both NPT-threaded and non-threaded.

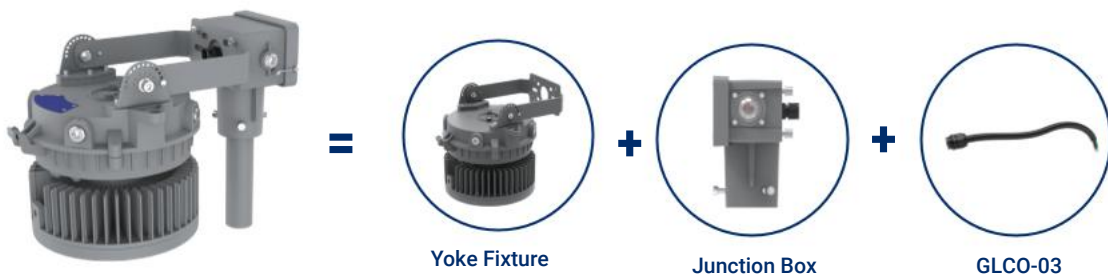


FEATURES

- Weather-resistant finish suitable for wet locations and marine environments
- WAGO 211 lever connectors (5-pole, UL/CSA, 18-12 AWG) for easy, hassle-free wiring
- Wiring access cover with captive screws and a rear hub featuring NPT 1/2" threads for daisy-chain wiring
- Shock and vibration-resistant design

CERTIFICATIONS & RATINGS

- UL1598
- UL1598A
- CSA C22.2 NO. 250.0
- UL 1598 Wet Locations
- UL 1598A Marine Outside Type (Salt Water)
- IP66
- IK10
- Salt Spray 720 hrs (ASTM B117)



REPLACEMENT PARTS (ORDERED SEPARATELY)

Part Number	Description	MPN Code
RDX-80-100-277-Driver	Replacement Driver Kit for RDX-80-100-277 Fixtures	303010034
RDX-120-100-277-Driver	Replacement Driver Kit for RDX-120-100-277 Fixtures	303010035
RDX-150-100-277-Driver	Replacement Driver Kit for RDX-150-100-277 Fixtures	303010036
RDX-200-100-277-Driver	Replacement Driver Kit for RDX-200-100-277 Fixtures	303010037
RDX-80-347-480-Driver	Replacement Driver Kit for RDX-80-347-480 Fixtures	303010038
RDX-120-347-480-Driver	Replacement Driver Kit for RDX-120-347-480 Fixtures	303010039
RDX-150-347-480-Driver	Replacement Driver Kit for RDX-150-347-480 Fixtures	303010040
RDX-200-347-480-Driver	Replacement Driver Kit for RDX-200-347-480 Fixtures	303010041
CG003-A-01	Replacement Clear Glass Lens for RDX	303030007
DG003-A-01	Replacement Diffuse Glass Lens for RDX	303030008
DLG003-A-01	Replacement Drop Glass Lens for RDX	303030009
CP003-A-01	Replacement Clear PC Lens for RDX	303030010
DP003-A-01	Replacement Diffuse PC Lens for RDX	303030011
JB01	1.5 inch (1.9 inch OD) and 2 inch (2-3/8 inch OD) NPT Threaded Slip-Fit Junction Box	210100116
JB02-P	1.5 inch (1.9 inch OD) and 2 inch (2-3/8 inch OD) NPT Threaded Slip-Fit Junction Box + Sensor (120V)	210100117
JB03-P	1.5 inch (1.9 inch OD) and 2 inch (2-3/8 inch OD) NPT Threaded Slip-Fit Junction Box + Sensor (208-277V)	210100118
JB04	1.5 inch (1.9 inch OD) and 2 inch (2-3/8 inch OD) Non-Threaded Slip-Fit Junction Box	210100119
JB05-P	1.5 inch (1.9 inch OD) and 2 inch (2-3/8 inch OD) Non-Threaded Slip-Fit Junction Box + Sensor (120V)	210100120
JB06-P	1.5 inch (1.9 inch OD) and 2 inch (2-3/8 inch OD) Non-Threaded Slip-Fit Junction Box + Sensor (208-277V)	210100121
JB003-A-01	RDX Custom Bracket Assembly	210010060
GLCO-03	3 ft Cord (SOOW 14 AWG x 3, 105 degrees Celsius, 600V) with Cable Gland	210010098
GLCO-10	10 ft Cord (SOOW 14 AWG x 3, 105 degrees Celsius, 600V) with Cable Gland	210010099

LUMEN TABLE

Part Number	Wattage (W)	CCT	CRI	Beam	Lens	Lumen Output (Lm)	Efficiency (Lm/W)
Voltage 100-277VAC 80 CRI • STANDARD							
RDX-80-100-277-5K-T5-HS-CG-PDCG	80	5000K	80	Type V	Clear Glass	12,157	147
RDX-80-100-277-5K-T5-HS-DG-PDCG	80	5000K	80	Type V	Diffuse Glass	10,627	128
RDX-80-100-277-5K-T5-HS-CP-PDCG	80	5000K	80	Type V	Clear PC	11,547	141
RDX-80-100-277-5K-T5-HS-DP-PDCG	80	5000K	80	Type V	Diffuse PC	9,500	115
RDX-80-100-277-5K-T5-HS-DLG-PDCG	80	5000K	80	Type V	Drop Lens Glass	11,915	144
RDX-120-100-277-5K-T5-HS-CG-PDCG	120	5000K	80	Type V	Clear Glass	17,388	147
RDX-120-100-277-5K-T5-HS-DG-PDCG	120	5000K	80	Type V	Diffuse Glass	15,076	128
RDX-120-100-277-5K-T5-HS-CP-PDCG	120	5000K	80	Type V	Clear PC	16,755	142
RDX-120-100-277-5K-T5-HS-DP-PDCG	120	5000K	80	Type V	Diffuse PC	13,702	116
RDX-120-100-277-5K-T5-HS-DLG-PDCG	120	5000K	80	Type V	Drop Lens Glass	16,893	143
RDX-150-100-277-5K-T5-HS-CG-PDCG	150	5000K	80	Type V	Clear Glass	21,771	148
RDX-150-100-277-5K-T5-HS-DG-PDCG	150	5000K	80	Type V	Diffuse Glass	18,349	124
RDX-150-100-277-5K-T5-HS-CP-PDCG	150	5000K	80	Type V	Clear PC	20,617	139
RDX-150-100-277-5K-T5-HS-DP-PDCG	150	5000K	80	Type V	Diffuse PC	16,766	113
RDX-150-100-277-5K-T5-HS-DLG-PDCG	150	5000K	80	Type V	Drop Lens Glass	20,613	139
RDX-200-100-277-5K-T5-HS-CG-PDCG	200	5000K	80	Type V	Clear Glass	26,076	132
RDX-200-100-277-5K-T5-HS-DG-PDCG	200	5000K	80	Type V	Diffuse Glass	22,305	113
RDX-200-100-277-5K-T5-HS-CP-PDCG	200	5000K	80	Type V	Clear PC	25,818	129
RDX-200-100-277-5K-T5-HS-DP-PDCG	200	5000K	80	Type V	Diffuse PC	21,642	107
RDX-200-100-277-5K-T5-HS-DLG-PDCG	200	5000K	80	Type V	Drop Lens Glass	24,933	127

347–480Vac models deliver the same lumen output as the 100–277Vac models.
 This table lists only selected lumen packages. For additional model parameters, please contact our sales team.
 Note: LXX# = nominal lumens. Verify lumen package before ordering.

Part Number	Wattage (W)	CCT	CRI	Beam	Lens	Lumen Output (Lm)	Efficiency (Lm/W)
Voltage 100-277VAC 70 CRI							
RDX-80-100-277-5K-T5-HS-CG-PDCG CRI70	80	5000K	70	Type V	Clear Glass	12,720	159
RDX-80-100-277-5K-T5-HS-DG-PDCG CRI70	80	5000K	70	Type V	Diffuse Glass	11,280	141
RDX-80-100-277-5K-T5-HS-CP-PDCG CRI70	80	5000K	70	Type V	Clear PC	12,320	154
RDX-80-100-277-5K-T5-HS-DP-PDCG CRI70	80	5000K	70	Type V	Diffuse PC	10,165	126
RDX-80-100-277-5K-T5-HS-DLG-PDCG CRI70	80	5000K	70	Type V	Drop Lens Glass	12,400	155
RDX-120-100-277-5K-T5-HS-CG-PDCG CRI70	120	5000K	70	Type V	Clear Glass	19,320	161
RDX-120-100-277-5K-T5-HS-DG-PDCG CRI70	120	5000K	70	Type V	Diffuse Glass	17,040	142
RDX-120-100-277-5K-T5-HS-CP-PDCG CRI70	120	5000K	70	Type V	Clear PC	18,417	152
RDX-120-100-277-5K-T5-HS-DP-PDCG CRI70	120	5000K	70	Type V	Diffuse PC	14,661	127
RDX-120-100-277-5K-T5-HS-DLG-PDCG CRI70	120	5000K	70	Type V	Drop Lens Glass	18,720	156
RDX-150-100-277-5K-T5-HS-CG-PDCG CRI70	150	5000K	70	Type V	Clear Glass	23,850	159
RDX-150-100-277-5K-T5-HS-DG-PDCG CRI70	150	5000K	70	Type V	Diffuse Glass	21,150	141
RDX-150-100-277-5K-T5-HS-CP-PDCG CRI70	150	5000K	70	Type V	Clear PC	22,800	152
RDX-150-100-277-5K-T5-HS-DP-PDCG CRI70	150	5000K	70	Type V	Diffuse PC	17,940	124
RDX-150-100-277-5K-T5-HS-DLG-PDCG CRI70	150	5000K	70	Type V	Drop Lens Glass	22,950	153
RDX-200-100-277-5K-T5-HS-CG-PDCG CRI70	200	5000K	70	Type V	Clear Glass	29,600	148
RDX-200-100-277-5K-T5-HS-DG-PDCG CRI70	200	5000K	70	Type V	Diffuse Glass	26,000	130
RDX-200-100-277-5K-T5-HS-CP-PDCG CRI70	200	5000K	70	Type V	Clear PC	28,400	142
RDX-200-100-277-5K-T5-HS-DP-PDCG CRI70	200	5000K	70	Type V	Diffuse PC	23,156	119
RDX-200-100-277-5K-T5-HS-DLG-PDCG CRI70	200	5000K	70	Type V	Drop Lens Glass	28,400	142

347–480Vac models deliver the same lumen output as the 100–277Vac models.
 This table lists only selected lumen packages. For additional model parameters, please contact our sales team.
 Note: LXX# = nominal lumens. Verify lumen package before ordering.

LUMEN TABLE

Part Number	Wattage (W)	CCT	CRI	Beam	Lens	Lumen Output (Lm)	Efficiency (Lm/W)
Voltage 100-277VAC 90 CRI							
RDX-80-100-277-5K-T5-HS-CG-PDCG CRI90	80	5000K	90	Type V	Clear Glass	10,406	126
RDX-80-100-277-5K-T5-HS-DG-PDCG CRI90	80	5000K	90	Type V	Diffuse Glass	9,097	110
RDX-80-100-277-5K-T5-HS-CP-PDCG CRI90	80	5000K	90	Type V	Clear PC	9,884	121
RDX-80-100-277-5K-T5-HS-DP-PDCG CRI90	80	5000K	90	Type V	Diffuse PC	8,132	98
RDX-80-100-277-5K-T5-HS-DLG-PDCG CRI90	80	5000K	90	Type V	Drop Lens Glass	10,199	123
RDX-120-100-277-5K-T5-HS-CG-PDCG CRI90	120	5000K	90	Type V	Clear Glass	14,884	126
RDX-120-100-277-5K-T5-HS-DG-PDCG CRI90	120	5000K	90	Type V	Diffuse Glass	12,905	110
RDX-120-100-277-5K-T5-HS-CP-PDCG CRI90	120	5000K	90	Type V	Clear PC	14,342	122
RDX-120-100-277-5K-T5-HS-DP-PDCG CRI90	120	5000K	90	Type V	Diffuse PC	11,729	99
RDX-120-100-277-5K-T5-HS-DLG-PDCG CRI90	120	5000K	90	Type V	Drop Lens Glass	14,460	122
RDX-150-100-277-5K-T5-HS-CG-PDCG CRI90	150	5000K	90	Type V	Clear Glass	18,636	127
RDX-150-100-277-5K-T5-HS-DG-PDCG CRI90	150	5000K	90	Type V	Diffuse Glass	15,707	106
RDX-150-100-277-5K-T5-HS-CP-PDCG CRI90	150	5000K	90	Type V	Clear PC	17,648	119
RDX-150-100-277-5K-T5-HS-DP-PDCG CRI90	150	5000K	90	Type V	Diffuse PC	14,352	97
RDX-150-100-277-5K-T5-HS-DLG-PDCG CRI90	150	5000K	90	Type V	Drop Lens Glass	17,645	119
RDX-200-100-277-5K-T5-HS-CG-PDCG CRI90	200	5000K	90	Type V	Clear Glass	22,321	113
RDX-200-100-277-5K-T5-HS-DG-PDCG CRI90	200	5000K	90	Type V	Diffuse Glass	19,093	97
RDX-200-100-277-5K-T5-HS-CP-PDCG CRI90	200	5000K	90	Type V	Clear PC	22,100	110
RDX-200-100-277-5K-T5-HS-DP-PDCG CRI90	200	5000K	90	Type V	Diffuse PC	18,526	92
RDX-200-100-277-5K-T5-HS-DLG-PDCG CRI90	200	5000K	90	Type V	Drop Lens Glass	21,343	109

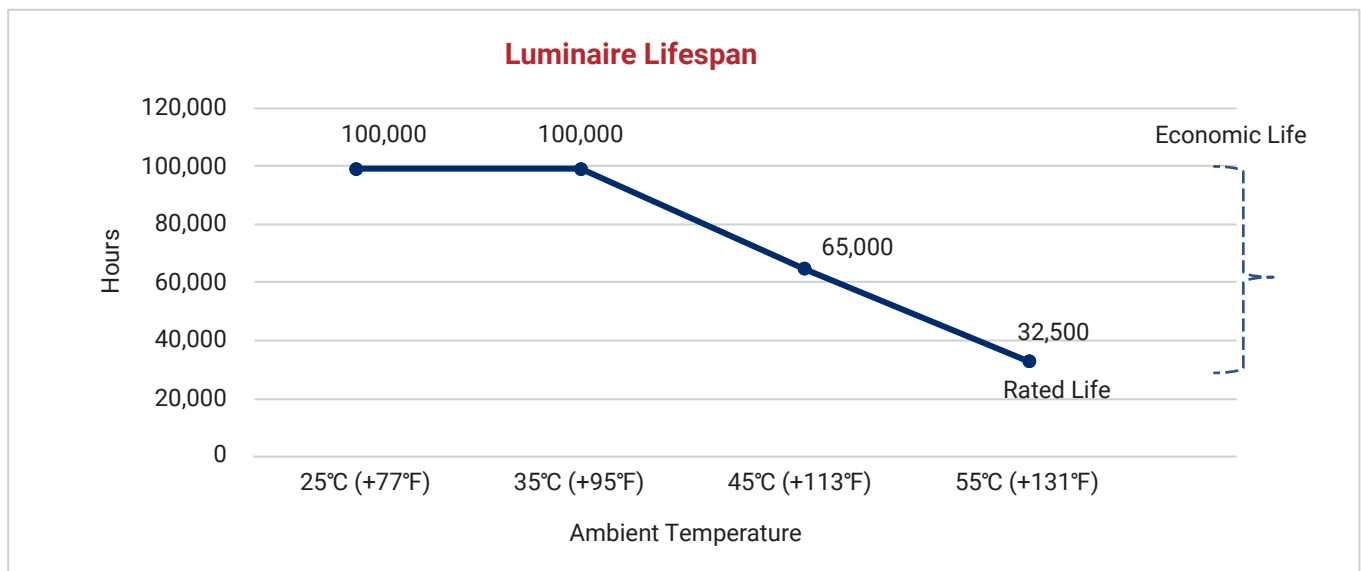
347–480Vac models deliver the same lumen output as the 100–277Vac models.
 This table lists only selected lumen packages. For additional model parameters, please contact our sales team.
 Note: LXX# = nominal lumens. Verify lumen package before ordering.

LUMEN MAINTENANCE

Hours Ambient	0	15,000	30,000	45,000	60,000	75,000	90,000	100,000	150,000
25°C	100%	96%	92%	88%	84%	80%	76%	74%	63%
35°C	100%	96%	92%	88%	84%	80%	76%	74%	63%
45°C	100%	96%	92%	88%	84%	80%	76%	74%	63%
55°C	100%	96%	91%	87%	83%	79%	75%	73%	62%

LUMINAIRE LIFESPAN

Ambient Temperature	Luminaire Lifespan (Hours)	Rated Service Life - Years (24/7 Operation)	Rated Service Life - Years (12/7 Operation)
25°C (+77°F)	100,000	11	23
35°C (+95°F)	100,000	11	23
45°C (+113°F)	65,000	7	15
55°C (+131°F)	32,500	4	7



Information shown for reference only and may vary by configuration.

A DIRECT RETROFIT FROM HID TO LED



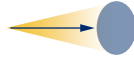
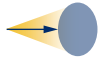



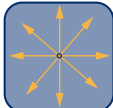
The RDX series LED is easy to retrofit in the same configuration as your existing HID luminaires. For example, a 200-watt Round Max (RDX-200) delivers virtually the same illumination as its equivalent 750 watt Metal Halide luminaire while providing 80% reduction in energy costs and up to 145,000 hours of continuous operation.

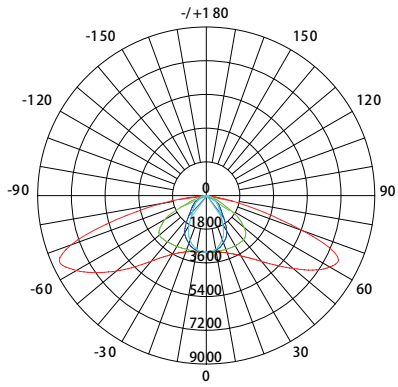
MODELS	Lumen Output (Lm)	MH Equivalent (W)	HPS Equivalent (W)
RDX-80	12,157	250	310
RDX-120	17,388	400	400
RDX-150	21,771	450	400
RDX-200	26,076	750	600

THE RIGHT BEAM PATTERN FOR YOUR APPLICATION

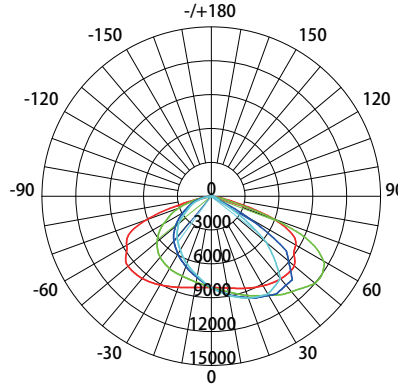
RSL optic package is engineered to deliver maximum footcandles efficiently where you need them, without wasted light or overspill.

RSL offers complimentary lighting design services for our products using industry-leading AGI32 software, tailored for projects of all sizes in harsh locations. We assist you in determining the number of fixtures needed, the types of lights to use, their optimal placement, and how to maximize energy savings—all within budget. Simply fill out the form (<https://www.redskyighting.com/lighting-design>) with a few key details, request a layout, and we'll bring your ideas to life within 2-5 business days.

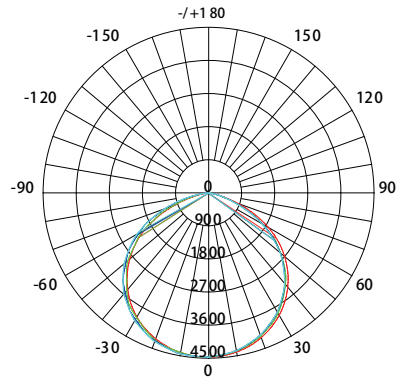
Beam	NEMA/IESNA Type	Beam Description	Beam Projection Distance
30°	NEMA 3	Medium Narrow	
60°	NEMA 4	Medium	
90°	NEMA 5	Medium Wide	
120°	NEMA 6	Wide	
T1	Type I	Asymmetric distributions, well suited for narrow areas, such as Conveyor belts, Aisleways, Catwalks, Loading docks and Tunnels.	
T2	Type II	Asymmetric distributions, well suited for narrow areas, such as roadways, paths and driveways.	
T3	Type III	Asymmetric distributions, well suited for site / area perimeters, wide roadways, and open areas.	
T5	NEMA 7 Type V (Square)	Very Wide: symmetrical pattern with excellent uniformity for large, open areas.	



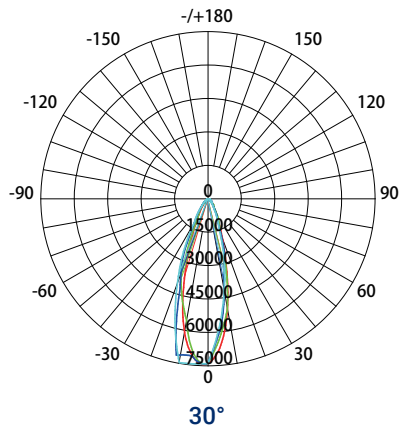
Type I



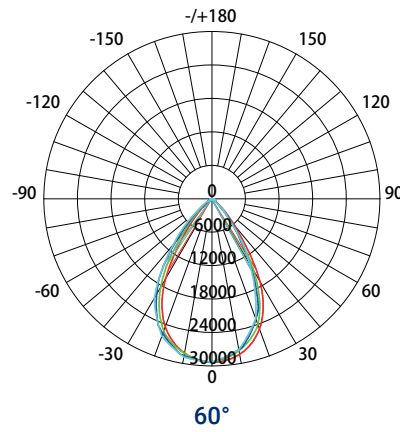
Type III



Type V



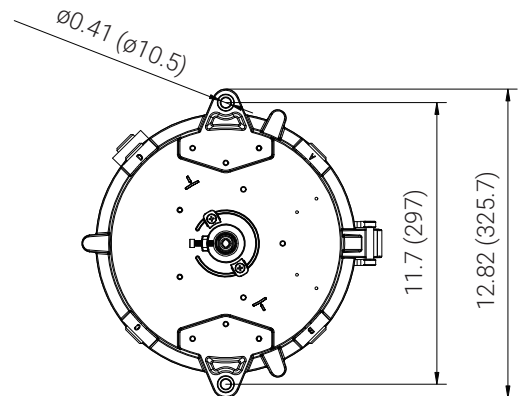
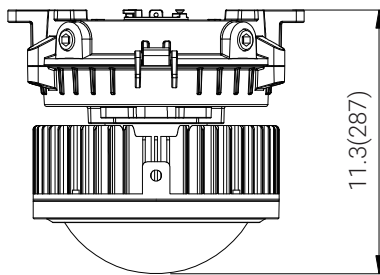
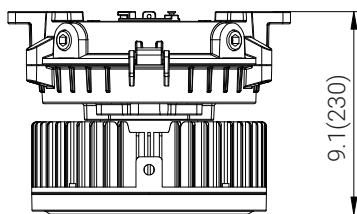
30°



60°

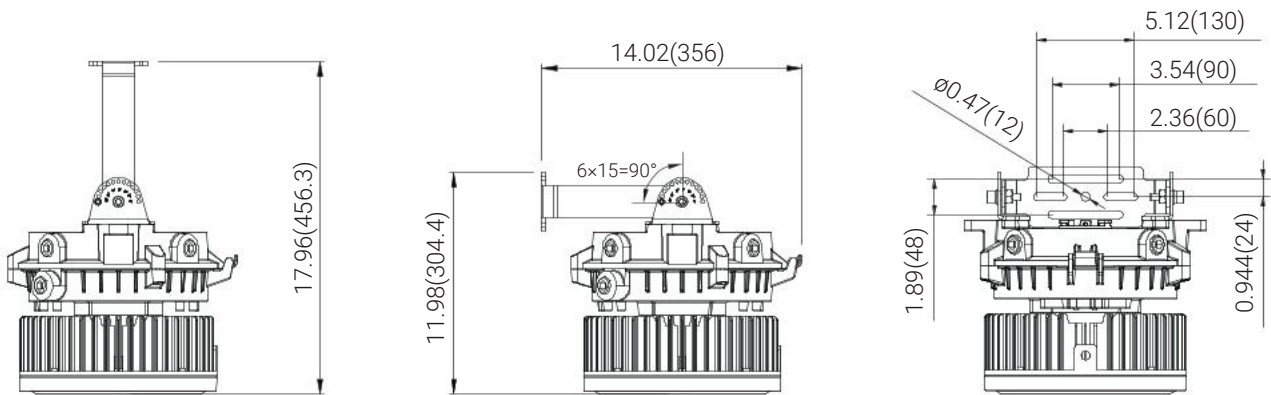
DIMENSIONS

unit: in (mm)

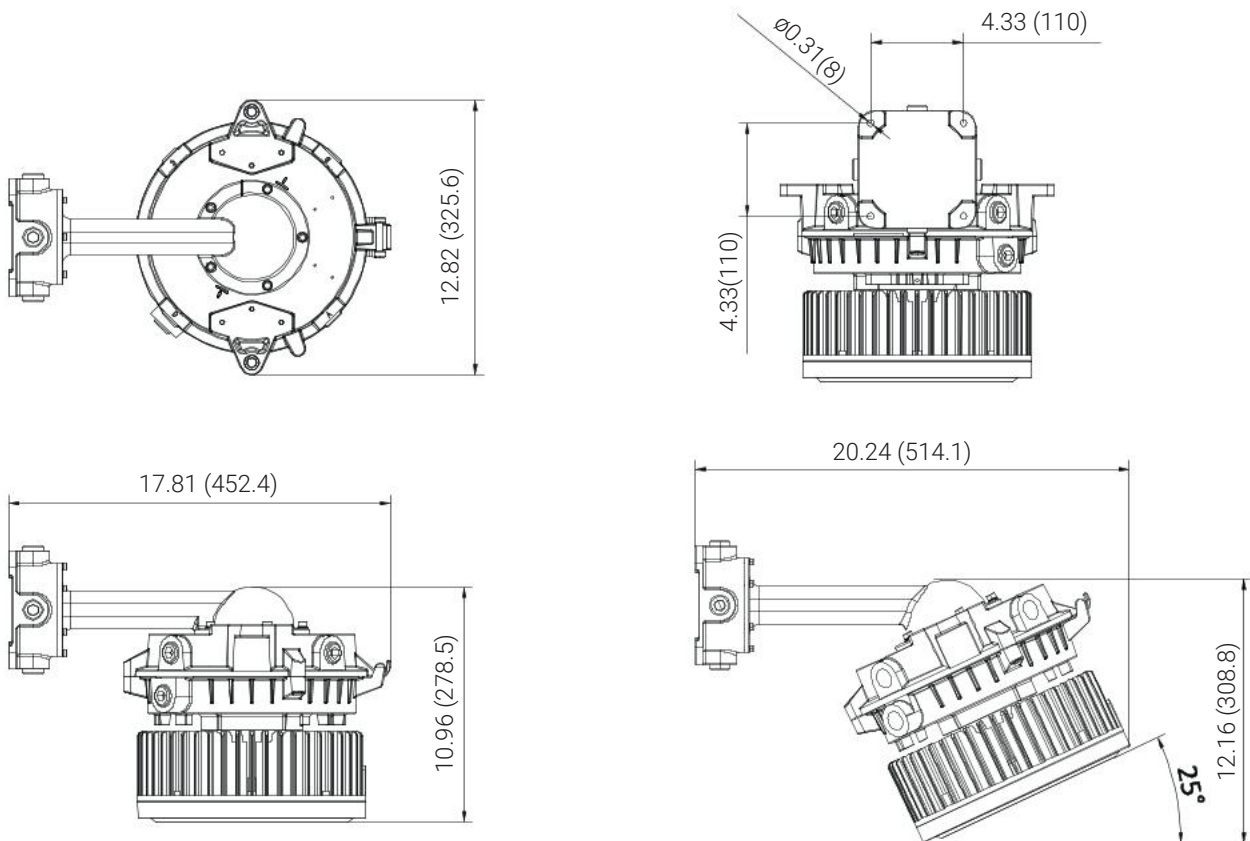


Pendant/Ceiling

unit: in (mm)

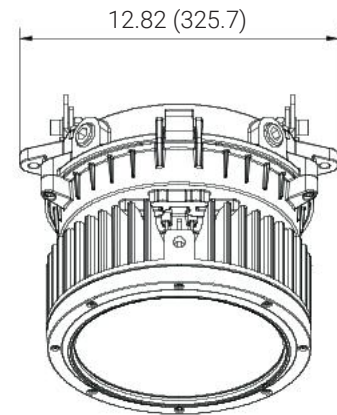
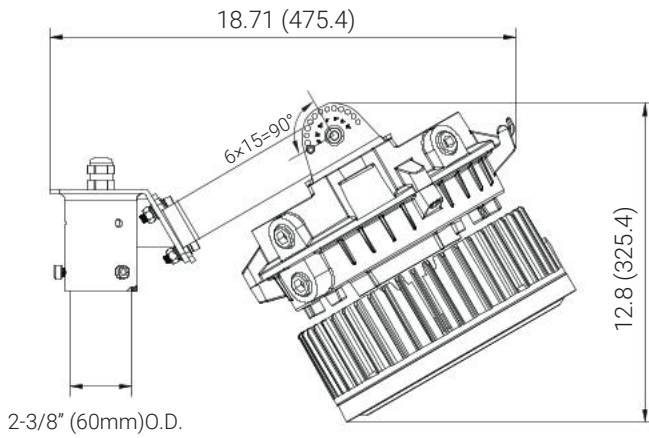


Yoke

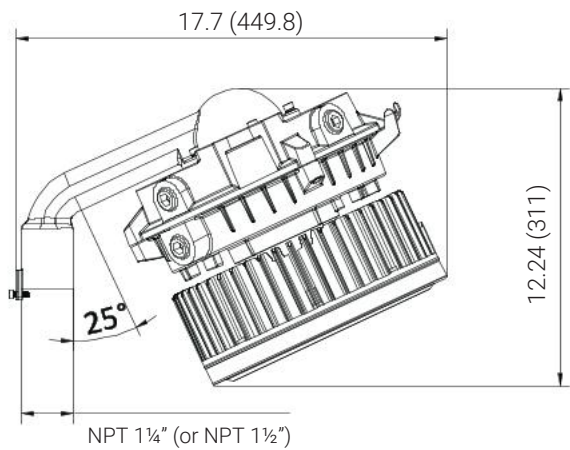
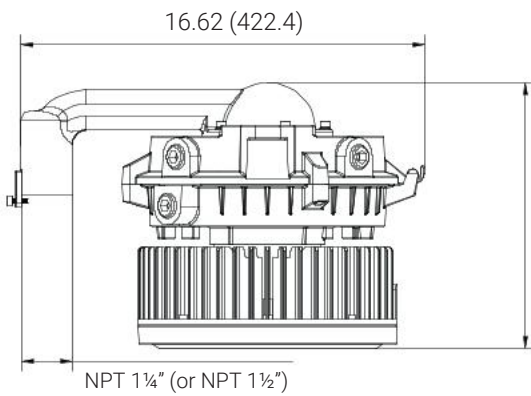
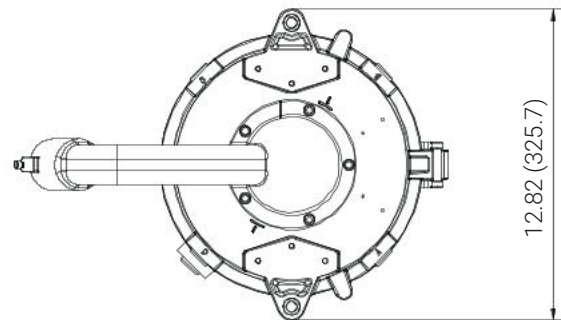


Wall

unit: in (mm)

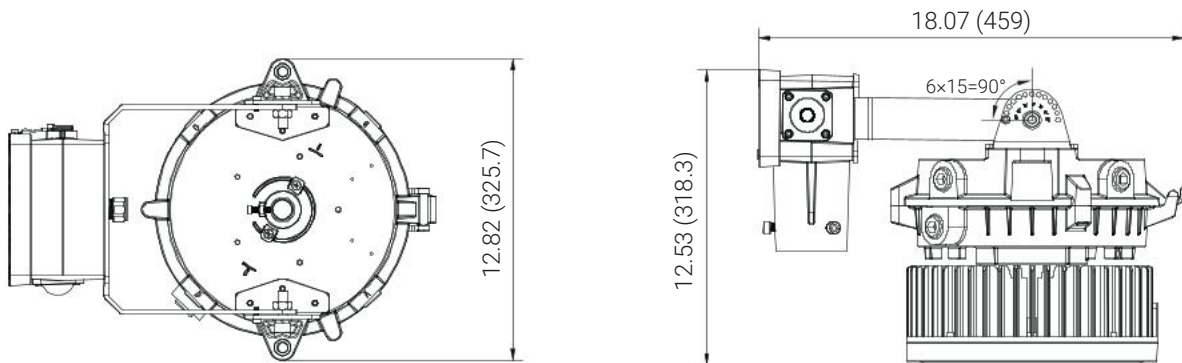
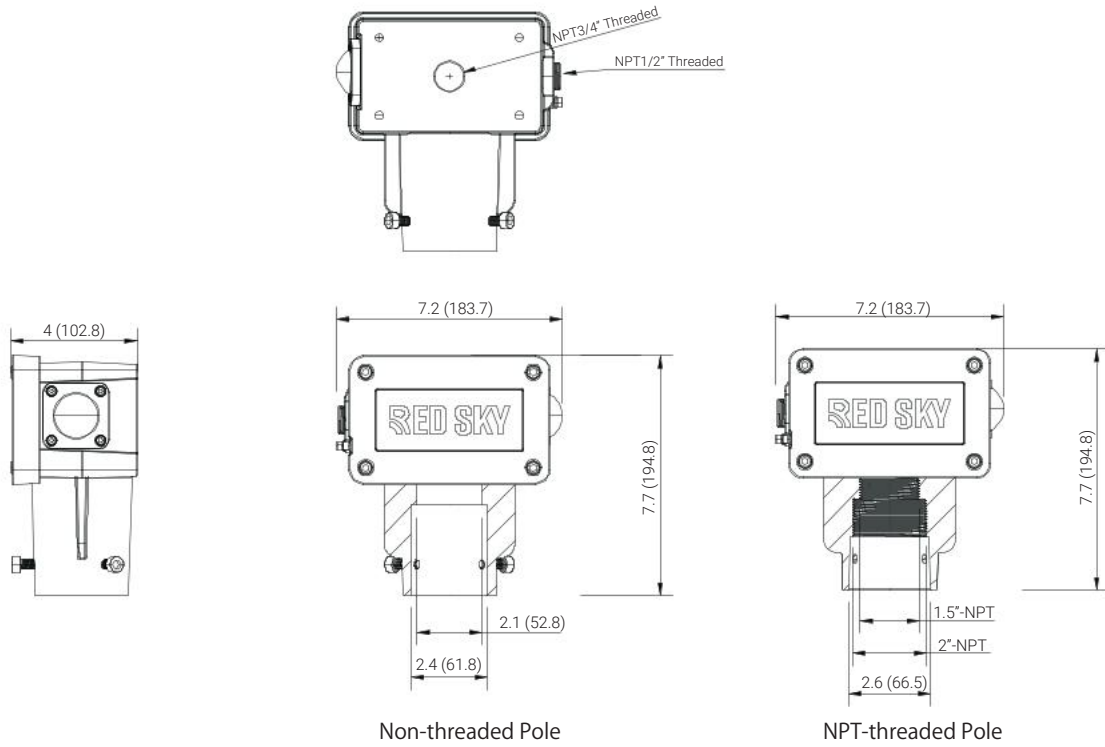


**Stanchion slip fitter
(Straight Pole)**



Stanchion

unit: in (mm)



Slip-fit Junction Box

Let's light your next project—
Email us at [**contact@redskylighting.com**](mailto:contact@redskylighting.com),
call us at **1 (262) 456-5002**
or visit [**www.redskylighting.com**](http://www.redskylighting.com) to get started.

Disclaimer

All product information is subject to change without notice.
Please contact Red Sky Lighting or your sales representative for the most up-to-date specifications.