

ROUND MAX EMERGENCY HARSH SERIES

LED LIGHTING FOR HARSH AREA & FLOOD



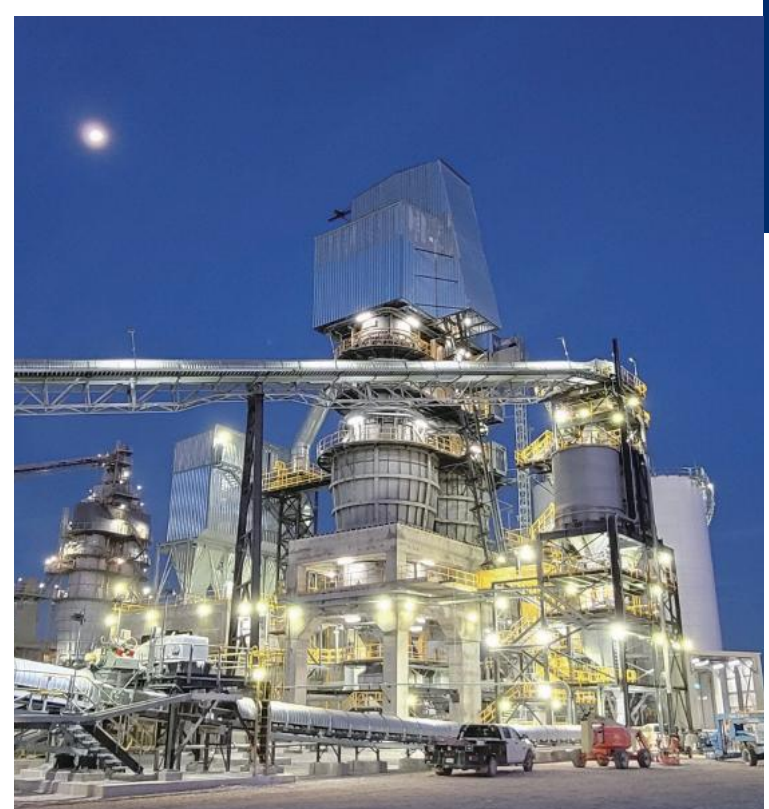
Reliable. Durable. Efficient.
6,000 to 29,000 lumen models

RED SKY
SERIOUSLY SAFE LIGHTS™

ABOUT RED SKY LIGHTING

PIONEERING INDUSTRIAL ILLUMINATION FOR HARSH & HAZARDOUS CONDITIONS

- A leading manufacturer of premium LED lights for demanding work conditions
- Headquartered in California, products assembled in the USA
- Servicing global clients across four continents in metal processing, oil & gas, marine, manufacturing
- Renowned for quality, dependability, client care, and uncompromising safety standards



WHY CHOOSE RED SKY

↳ SERIOUSLY SAFE LIGHTS

- Rigorously tested in our professional labs
- Surpassing industry certifications and safety protocols
- Crafted with highest grade components for maximum durability

↳ TOP-NOTCH SERVICES

- Team of experts for seamless support
- Energy audit services, lighting simulation services
- Hassle-free return policy and management

↳ FAST DELIVERY

- Majority of orders delivered within 14 days
- Same day shipping for products in stock
- Real-time order tracking for full transparency

↳ SUSTAINABLE SOLUTIONS

- High luminous efficacy LEDs for energy savings
- Conscious product design
- Recyclable materials for products and packaging



ROUND MAX EMERGENCY SERIES



The ROUND MAX EMERGENCY HARSH SERIES (RDX EM) is a UL 924-certified LED lighting solution engineered for harsh and hazardous environments—where safety and performance can't be compromised. Delivering 6,000-29,000 lumens with up to 150 lm/W, the RDX EM ensures dependable, energy-efficient illumination during both regular operation and power loss.

Its integrated LiFePO₄ battery provides 3,000 lm for 90 minutes or 1,500 lm for 180 minutes, maintaining visibility and enabling safe evacuation during critical moments. Designed with marine-grade aluminum, NEMA 4X, IP66 / 67 and IK10 protection, and 3G vibration resistance, it thrives in explosive, high-vibration, and chemically demanding environments.

With an L70 lifetime exceeding 102,000 hours at 140°F (60 °C), the RDX EM is built for long-term durability in the most extreme industrial conditions. Five beam options (type I, III, V, 30°, and 60°) and multiple mounting configurations—Pendant, Ceiling, Yoke, Wall, Stanchion slip fitter, Stanchion, Pole, or Junction Box—make installation flexible and maintenance simple.

Ideal for oil & gas, chemical plants, marine terminals, and industrial hazardous sites, the RDX EM delivers seriously safe, reliable illumination when visibility and safety matter most.



ROUND MAX EMERGENCY HARSH SERIES

ALCOHOL FACTORY, KENTUCKY

FEATURES



↳ Built for the Toughest Conditions

NEMA 4X, IP66 / 67, IK10, and 3G vibration rated, the RDX EM withstands explosive gases, dust, and extreme environments with unwavering reliability.

↳ Reliable Emergency Protection

UL 924-certified for emergency lighting, the RDX EM features a LiFePO₄ battery system delivering 3,000 lm for 90 minutes or 1,500 lm for 180 minutes, keeping workers safe when the power goes out.

↳ Adaptable to Every Application

With five beam options and eight mounting configurations, the RDX EM provides versatile lighting for oil & gas, chemical, and industrial facilities.

RATINGS

UL 1598 Wet Locations
UL 1598A Marine Outside Type (Salt Water)
NEMA 4X, IP66 / 67
IK08(Glass) / IK10(PC)
Salt Spray 720 hrs (ASTM B117)
3G Vibration (ANSI C136.31)

CERTIFICATIONS

UL924
UL1598
UL1598A
CSA C22.2 No. 141
CSA C22.2 No. 250.0
FCC Part 15, Subpart B

TECHNICAL PARAMETERS

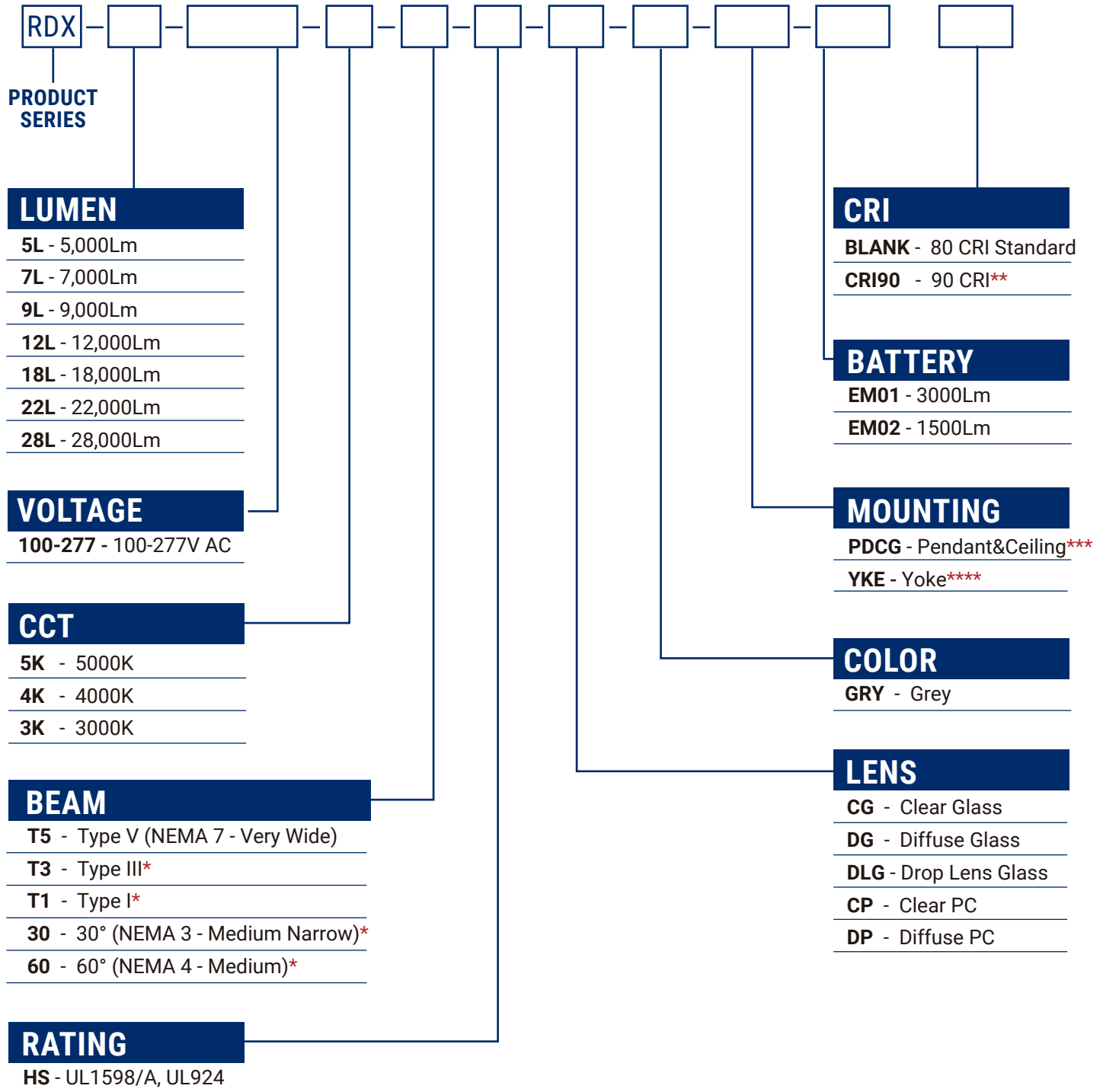
| Specification | RDX-5L-EM | RDX-7L-EM | RDX-9L-EM | RDX-12L-EM | RDX-18L-EM | RDX-22L-EM | RDX-28L-EM |
|--|---|-----------|-----------|------------|------------|------------|--------------------------------|
| Electrical Parameters | | | | | | | |
| Power | 40W | 50W | 65W | 85W | 130W | 160W | 200W |
| Rated Input Current (120V AC) | 0.370 | 0.463 | 0.602 | 0.787 | 1.204 | 1.481 | 1.852 |
| Rated Input Current (277V AC) | 0.160 | 0.201 | 0.261 | 0.341 | 0.521 | 0.642 | 0.802 |
| Voltage/Frequency | 100-277VAC 50/60Hz | | | | | | |
| Power Factor | ≥0.90 | | | | | | |
| THD | <20% | | | | | | |
| L70 | >102,000 hrs@60°C | | | | | | |
| Dimming | 0-10V, Range 10%-100% | | | | | | |
| Surge Protection | 10KV | | | | | | |
| Supply Wire | 18-12AWG | | | | | | |
| Charge Time | 24 hours | | | | | | |
| Emergency Run Time* | 3,000Lm@90mins / 1,500Lm@180mins | | | | | | |
| Battery | LiFePO ₄ Rechargeable battery | | | | | | |
| Warranty | Fixture: 5 years, Battery: 3 years | | | | | | |
| Optical Parameters | | | | | | | |
| Lumen Output* | 6,039Lm | 7,580Lm | 9,873Lm | 12,957Lm | 19,714Lm | 23,551Lm | 28,654Lm |
| Lumen Efficacy* | 150Lm/W | | | | | | |
| Available Beam Angle | 30° / 60° / T1/T3/T5 | | | | | | |
| Correlated Color Temperature (CCT) | 3000K/4000K/5000K | | | | | | |
| Color Rendering Index (CRI) | 80 CRI | | | | | | |
| Mechanical Parameters | | | | | | | |
| Housing Material | Marine Grade Aluminium | | | | | | |
| Hardware | Stainless steel 316 | | | | | | |
| Lens Material | Tempered Glass or Polycarbonate | | | | | | |
| Mounting Options | Pendant , Ceiling, Yoke, Wall, Stanchion slip fitter, Stanchion, Pole, Junction Box | | | | | | |
| Product Weight | 28lbs / 12.7kg | | | | | | |
| Package Weight | 30.64lbs / 13.9kg | | | | | | |
| Cable Entry | (5) NPT 3/4" | | | | | | |
| Product Dimensions(LxWxH) | Flat lens: Φ13x10.7 in (Φ330x271.5 mm) / Drop lens: Φ13x12.9 in (Φ330x327.3 mm) | | | | | | |
| Package Dimensions(LxWxH) | 18.9x15.35x15.35 in (480x390x390 mm) | | | | | | |
| Environmental Parameters | | | | | | | |
| Corrosion Resistance | Salt Spray 720 hrs (ASTM B117) | | | | | | |
| Vibration Resistance | 3G (ANSI C136.31) ** | | | | | | |
| Ambient Operating Temperature | 32°F ~+140°F (0°C ~ +60°C) | | | | | | 32°F ~ +131°F (0°C ~ +55°C) |
| EPA wind rating (FT ² /m ²) | 1.14 (Ceiling)/1.47 (Yoke)/1.49 (Stanchion Slip Fitter)/1.22 (Stanchion)/ 1.61 (Junction Box) | | | | | | |

* Value calculated based on 5000K and CRI80 and Clear glass ,varies to different spec.

** Yoke Mount Only

ORDERING INFORMATION

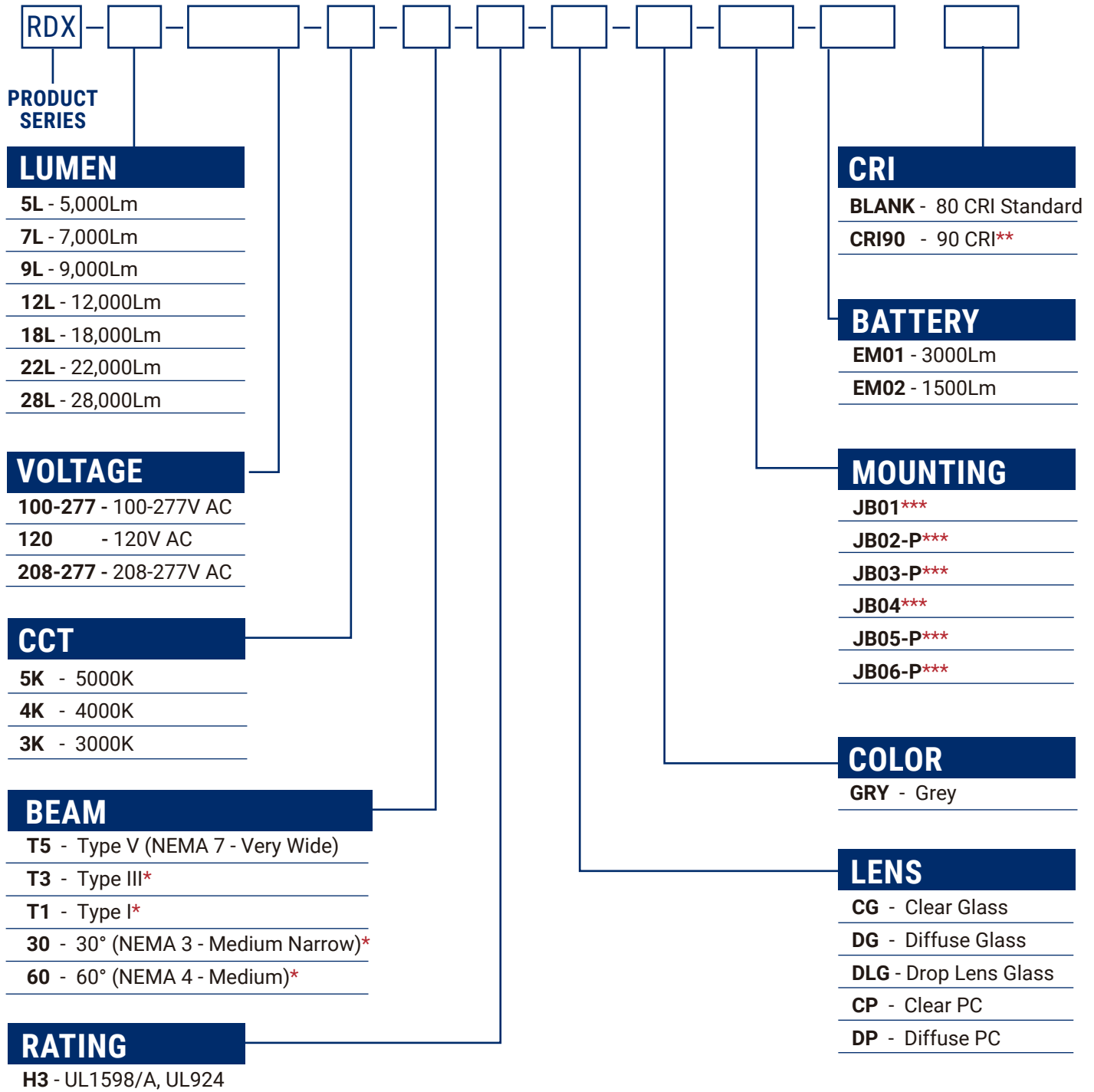
EXAMPLE: RDX-9L-100-277-5K-T5-HS-CG-GRY-PDCG-EM01



* T1, T3, 30°, 60°, only available with Clear Glass & Clear PC.
 ** CRI 90, expect longer lead time.
 *** No accessory required for Pendant & Ceiling Mount
 **** YOKE factory pre-installed, no additional accessory order required.

ORDERING INFORMATION (JUNCTION BOX MODELS)

EXAMPLE: RDX-9L-100-277-5K-T5-H3-CG-GRY-JB01-EM01



* T1, T3, 30°, 60°, only available with Clear Glass & Clear PC.

** CRI 90, expect longer lead time.

*** JB01: 1.5 inch (1.9 inch OD) and 2 inch (2-3/8 inch OD) NPT Threaded Slip-Fit Junction Box

JB02-P: 1.5 inch (1.9 inch OD) and 2 inch (2-3/8 inch OD) NPT Threaded Slip-Fit Junction Box + Sensor (120V)

JB03-P: 1.5 inch (1.9 inch OD) and 2 inch (2-3/8 inch OD) NPT Threaded Slip-Fit Junction Box + Sensor (208-277V)

JB04: 1.5 inch (1.9 inch OD) and 2 inch (2-3/8 inch OD) Non-Threaded Slip-Fit Junction Box

JB05-P: 1.5 inch (1.9 inch OD) and 2 inch (2-3/8 inch OD) Non-Threaded Slip-Fit Junction Box + Sensor (120V)

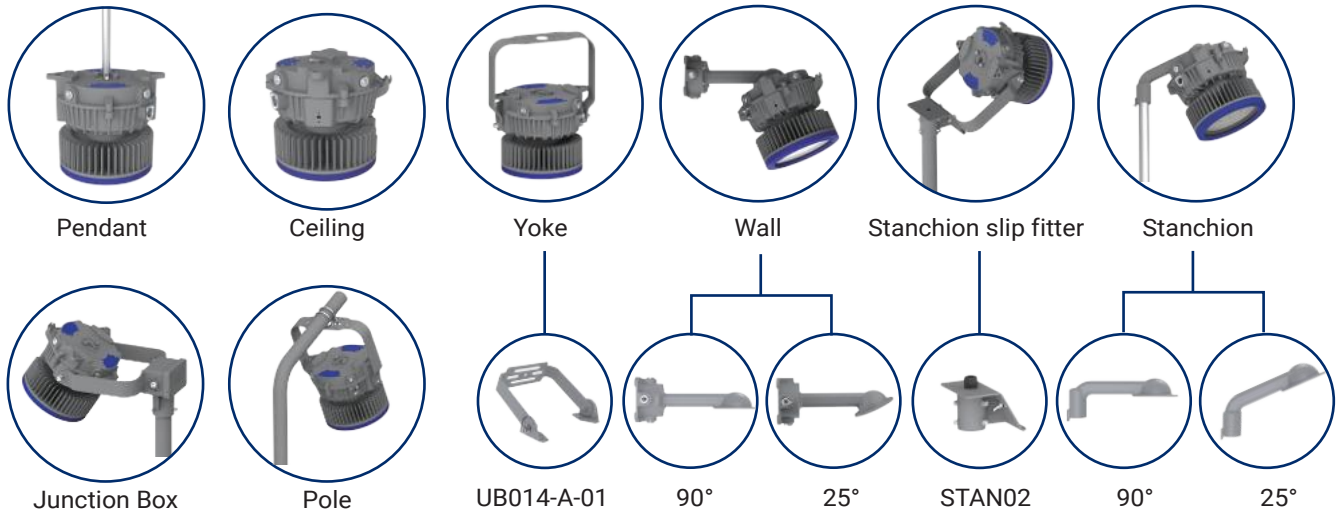
JB06-P: 1.5 inch (1.9 inch OD) and 2 inch (2-3/8 inch OD) Non-Threaded Slip-Fit Junction Box + Sensor (208-277V)

100-277 VAC for JB01 and JB04.

120 VAC only for JB02-P and JB05-P.

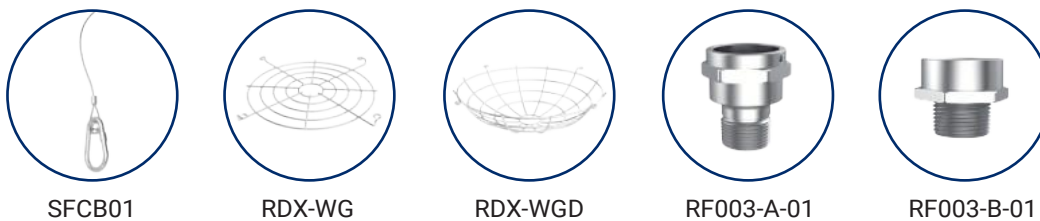
208-277 VAC only for JB03-P and JB06-P.

MOUNTING ACCESSORIES



| Mounting Method | PN | Description | MPN Code |
|---------------------------------------|------------|---|-----------|
| Yoke | UB014-A-01 | Straight Yoke, 0-90 Degrees Adjustable, SUS304, Powder-Coated Grey RAL 7037 | 210010061 |
| Wall | WL2502 | Wall Mount, 25 Degrees, Powder-Coated Grey RAL 7037 | 210010036 |
| | WL9002 | Wall Mount, 90 Degrees, Powder-Coated Grey RAL 7037 | 210010035 |
| Stanchion Slip Fitter (Straight Pole) | STAN02 | Slip-Fit Stanchion Mount Kit for 2 inch Diameter (2 3/8 inch OD) Poles, Non-threaded, SUS304, Powder-Coated Grey RAL 7037 | 210010047 |
| Stanchion | SN2504 | Stanchion Mount, 25 Degrees, NPT 1-1/2, Powder-Coated Grey RAL 7037 | 210010038 |
| | SN2503 | Stanchion Mount, 25 Degrees, NPT 1-1/4, Powder-Coated Grey RAL 7037 | 210010037 |
| | SN9004 | Stanchion Mount, 90 Degrees, NPT 1-1/2, Powder-Coated Grey RAL 7037 | 210010040 |
| | SN9003 | Stanchion Mount, 90 Degrees, NPT 1-1/4, Powder-Coated Grey RAL 7037 | 210010039 |
| Pole (Adapting U-Bracket) | CLAMP01 | Pipe Clamp Kit for Round Pole 1-7/8 inch OD (48 mm), SUS304 | 210010011 |
| | CLAMP02 | Pipe Clamp Kit for Round Pole 2-3/8 inch OD (60 mm), SUS304 | 210010010 |

OTHER ACCESSORIES



| PN | Description | MPN Code |
|------------|--|-----------|
| SFCB01 | Safety Cable Kit, SS304 | 210010086 |
| RDX-WG | Wire Guard for Flat Glass Lens | 210100111 |
| RDX-WGD | Wire Guard for Drop Glass Lens | 210100112 |
| RF003-A-01 | SUS304, 1 inch to 3/4 inch NPT Reducer for Pendant | 210100106 |
| RF003-B-01 | SUS304, 1 inch to 3/4 inch NPT Reducer for Yoke & Ceiling & Wall | 210100107 |

MAX. MOUNTING HEIGHT

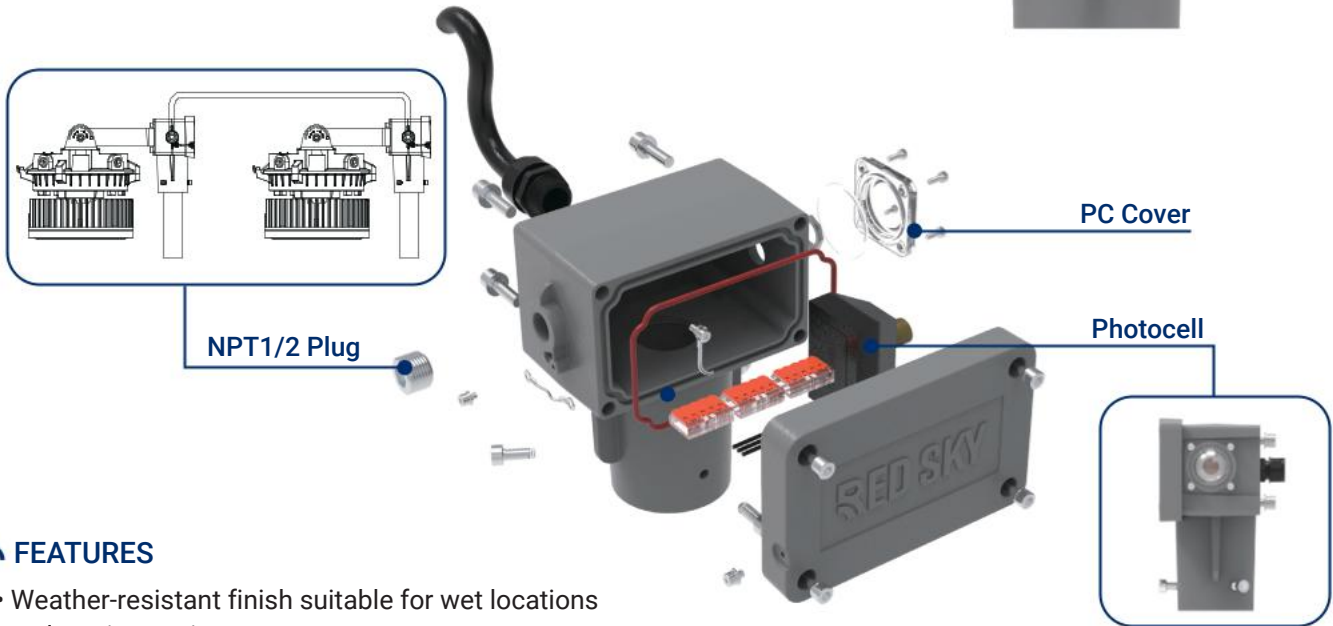
| Model | Mounting Orientation | Guard (optional) | Designates Beam of LED | Designates Lens for LED | Max Mounting Height(ft) | Max Mounting Height(m) | | |
|---------------------------------------|-----------------------------------|------------------|---------------------------------------|-------------------------|-------------------------|------------------------|-------|-------|
| RDX-5L RDX-7L RDX-9L RDX-12L | Lens Facing Down 0° From Vertical | No Guard | 30 | CG | 66.7 | 20.33 | | |
| | | | | CP | 64.8 | 19.75 | | |
| | | | 60 | CG | 58.81 | 17.93 | | |
| | | | | CP | 56.2 | 17.13 | | |
| | | | T1 | CG | 23.75 | 7.24 | | |
| | | | | CP | 23.95 | 7.30 | | |
| | | | T3 | CG | 22.25 | 6.78 | | |
| | | | | CP | 22.09 | 6.73 | | |
| | | | T5 | CG | 28.56 | 8.71 | | |
| | | | | CP | 27.77 | 8.46 | | |
| | | | | DG | 27.16 | 8.28 | | |
| | | | | DP | 27.29 | 8.32 | | |
| | | | | DLG | 28.85 | 8.79 | | |
| | | | Lens Facing Down 0°~45° From Vertical | No Guard | 30 | CG | 53.42 | 16.28 |
| | | | | | | CP | 50.44 | 15.37 |
| | | | | | 60 | CG | 48.47 | 14.77 |
| | CP | 49.03 | | | | 14.94 | | |
| | T1 | CG | | | 20.29 | 6.18 | | |
| | | CP | | | 20.06 | 6.11 | | |
| | T3 | CG | | | 17.72 | 5.40 | | |
| | | CP | | | 18.51 | 5.64 | | |
| | T5 | CG | | | 24.29 | 7.40 | | |
| | | CP | | | 24.73 | 7.54 | | |
| | | DG | 24.44 | 7.45 | | | | |
| | | DP | 24.3 | 7.41 | | | | |
| | Lens Facing Down 0° From Vertical | With Guard | 30 | CG | 59.37 | 18.10 | | |
| | | | | CP | 56.7 | 17.28 | | |
| | | | 60 | CG | 52.11 | 15.88 | | |
| | | | | CP | 49.73 | 15.16 | | |
| | | | T1 | CG | 22.3 | 6.80 | | |
| | | | | CP | 22.2 | 6.77 | | |
| | | | T3 | CG | 20.58 | 6.27 | | |
| CP | | | | 20.64 | 6.29 | | | |
| T5 | | | CG | 26.56 | 8.10 | | | |
| | | | CP | 25.95 | 7.91 | | | |
| | | | DG | 25.35 | 7.73 | | | |
| | | | DP | 24.83 | 7.57 | | | |
| Lens Facing Down 0°~45° From Vertical | | | With Guard | 30 | CG | 42.05 | 12.82 | |
| | | | | | CP | 45.22 | 13.78 | |
| | 60 | CG | | 45.74 | 13.94 | | | |
| | | CP | | 42.92 | 13.08 | | | |
| | T1 | CG | | 18.83 | 5.74 | | | |
| | | CP | | 18.77 | 5.72 | | | |
| | T3 | CG | | 17.25 | 5.26 | | | |
| | | CP | | 17.04 | 5.19 | | | |
| | T5 | CG | | 20.98 | 6.39 | | | |
| | | CP | | 22.25 | 6.78 | | | |
| DG | | 21.15 | 6.45 | | | | | |
| DP | | 22.93 | 6.99 | | | | | |
| | | | DLG | 20.47 | 6.24 | | | |

MAX. MOUNTING HEIGHT

| Model | Mounting Orientation | Guard (optional) | Designates Beam of LED | Designates Lens for LED | Max Mounting Height(ft) | Max Mounting Height(m) |
|---------------------------------------|---------------------------------------|------------------|------------------------|-------------------------|-------------------------|------------------------|
| RDX-18L RDX-22L RDX-28L | Lens Facing Down 0° From Vertical | No Guard | 30 | CG | 66.73 | 20.34 |
| | | | | CP | 63.66 | 19.40 |
| | | | 60 | CG | 54.57 | 16.63 |
| | | | | CP | 52.34 | 15.95 |
| | | | T1 | CG | 23.6 | 7.19 |
| | | | | CP | 23.55 | 7.18 |
| | | | T3 | CG | 22.36 | 6.82 |
| | | | | CP | 22.14 | 6.75 |
| | | | T5 | CG | 28.57 | 8.71 |
| | | | | CP | 27.9 | 8.50 |
| | | | | DG | 27.55 | 8.40 |
| | | | | DP | 27.12 | 8.27 |
| | DLG | 28.4 | | 8.66 | | |
| | Lens Facing Down 0°~45° From Vertical | No Guard | 30 | CG | 50.84 | 15.50 |
| | | | | CP | 47.6 | 14.51 |
| | | | 60 | CG | 46.15 | 14.07 |
| | | | | CP | 43.44 | 13.24 |
| | | | T1 | CG | 19.76 | 6.02 |
| | | | | CP | 19.7 | 6.00 |
| | | | T3 | CG | 17.52 | 5.34 |
| | | | | CP | 17.66 | 5.38 |
| | | | T5 | CG | 26.14 | 7.97 |
| | | | | CP | 24.97 | 7.61 |
| | | | | DG | 24.15 | 7.36 |
| | | | | DP | 23.85 | 7.27 |
| | DLG | 25.68 | | 7.83 | | |
| | Lens Facing Down 0° From Vertical | With Guard | 30 | CG | 60.09 | 18.32 |
| | | | | CP | 57.25 | 17.45 |
| | | | 60 | CG | 48.91 | 14.91 |
| | | | | CP | 47.17 | 14.38 |
| | | | T1 | CG | 22.36 | 6.82 |
| | | | | CP | 22.09 | 6.73 |
| | | | T3 | CG | 20.52 | 6.25 |
| | | | | CP | 20.17 | 6.15 |
| | | | T5 | CG | 27.03 | 8.24 |
| | | | | CP | 26.27 | 8.01 |
| DG | | | | 25.49 | 7.77 | |
| DP | | | | 24.92 | 7.60 | |
| DLG | 25.81 | 7.87 | | | | |
| Lens Facing Down 0°~45° From Vertical | With Guard | 30 | CG | 44.5 | 13.56 | |
| | | | CP | 40.7 | 12.41 | |
| | | 60 | CG | 39.93 | 12.17 | |
| | | | CP | 39.42 | 12.02 | |
| | | T1 | CG | 17.86 | 5.44 | |
| | | | CP | 18.25 | 5.56 | |
| | | T3 | CG | 16.54 | 5.04 | |
| | | | CP | 16.54 | 5.04 | |
| | | T5 | CG | 23.95 | 7.30 | |
| | | | CP | 22.99 | 7.01 | |
| | | | DG | 22.46 | 6.85 | |
| | | | DP | 21.38 | 6.52 | |
| DLG | 23.55 | | 7.18 | | | |

SLIP-FIT JUNCTION BOX

The **Junction Box** is a multi-piece assembly featuring a copper-free, cast-aluminum housing, front cover, and cable gland. The design accommodates both stanchion installation and other mounting options. It is compatible with 2" (2 3/8" OD) and 1.5" (1.9" OD) poles, both NPT-threaded and non-threaded.



FEATURES

- Weather-resistant finish suitable for wet locations and marine environments
- WAGO 211 lever connectors (5-pole, UL/CSA, 18-12 AWG) for easy, hassle-free wiring
- Wiring access cover with captive screws and a rear hub featuring NPT 1/2" threads for daisy-chain wiring
- Optional C1D2 Photocell Sensor built-in
- Ambient temperature range: 32°F ~140°F (0°C ~ +60°C) for 5L / 7L / 9L / 12L / 18L / 22L , 32°F ~ +131°F (0 ~ +55°C) for 28L
- Shock and vibration-resistant design

CERTIFICATIONS & RATINGS

- UL 1598 Wet Locations
- UL 1598A Marine Outside Type (Salt Water)
- CSA C22.2 No. 250.0
- IP66
- IK10
- Salt Spray 720 hrs (ASTM B117)

INSTALLATION EXAMPLE



REPLACEMENT PARTS (ORDERED SEPARATELY)

| Part Number | Description | MPN Code |
|------------------------------------|---|-----------|
| RDX-5L-EM-Driver | Replacement Driver Kit for RDX-5L-EM Fixtures (Input 100-277Vac,40W) | 303010109 |
| RDX-7L-EM-Driver | Replacement Driver Kit for RDX-7L-EM Fixtures (Input 100-277Vac,50W) | 303010110 |
| RDX-9L-EM-Driver | Replacement Driver Kit for RDX-9L-EM Fixtures (Input 100-277Vac,65W) | 303010111 |
| RDX-12L-EM-Driver | Replacement Driver Kit for RDX-12L-EM Fixtures (Input 100-277Vac,85W) | 303010112 |
| RDX-18L-EM-Driver | Replacement Driver Kit for RDX-18L-EM Fixtures (Input 100-277Vac,130W) | 303010113 |
| RDX-22L-EM-Driver | Replacement Driver Kit for RDX-22L-EM Fixtures (Input 100-277Vac,160W) | 303010114 |
| RDX-28L-EM-Driver | Replacement Driver Kit for RDX-27L-EM Fixtures (Input 100-277Vac,200W) | 303010115 |
| RDX-EM01-Driver | Replacement Emergency Backup Driver Kit for RDX-EM01 Models (Input 100-277Vac,15W) | 303010116 |
| RDX-EM02-Driver | Replacement Emergency Backup Driver Kit for RDX-EM02 Models (Input 100-277Vac,7.5W) | 303010117 |
| RDX-EM LiFePO ₄ Battery | Replacement Battery for RDX-EM Fixtures (4AH) | 303040007 |
| CG014-A-01 | Replacement Clear Glass(AR) Lens for RDX | 303030030 |
| DG003-A-01 | Replacement Diffuse Glass Lens for RDX | 303030008 |
| DLG003-A-01 | Replacement Drop Glass Lens for RDX | 303030009 |
| CP003-A-01 | Replacement Clear PC Lens for RDX | 303030010 |
| PC014-A-01 | Replacement Diffuse PC Lens for RDX | 303030031 |
| JB01 | 1.5 inch (1.9 inch OD) and 2 inch (2-3/8 inch OD) NPT Threaded Slip-Fit Junction Box | 210100116 |
| JB02-P | 1.5 inch (1.9 inch OD) and 2 inch (2-3/8 inch OD) NPT Threaded Slip-Fit Junction Box + Sensor (120V) | 210100117 |
| JB03-P | 1.5 inch (1.9 inch OD) and 2 inch (2-3/8 inch OD) NPT Threaded Slip-Fit Junction Box + Sensor (208-277V) | 210100118 |
| JB04 | 1.5 inch (1.9 inch OD) and 2 inch (2-3/8 inch OD) Non-Threaded Slip-Fit Junction Box | 210100119 |
| JB05-P | 1.5 inch (1.9 inch OD) and 2 inch (2-3/8 inch OD) Non-Threaded Slip-Fit Junction Box + Sensor (120V) | 210100120 |
| JB06-P | 1.5 inch (1.9 inch OD) and 2 inch (2-3/8 inch OD) Non-Threaded Slip-Fit Junction Box + Sensor (208-277V) | 210100121 |
| GLCO-03 | 3 ft Cord (SOOW 14 AWG x 3, 105 degrees Celsius, 600V) with Cable Gland | 210010098 |
| GLCO-10 | 10 ft Cord (SOOW 14 AWG x 3, 105 degrees Celsius, 600V) with Cable Gland | 210010099 |

| PN | Wattage (W) | CCT | CRI | Beam | Lens | Lumen Output (Lm) | Efficiency (Lm/W) |
|---|-------------|-------|-----|------|-----------------|-------------------|-------------------|
| Voltage 100-277VAC 80 CRI • STANDARD | | | | | | | |
| RDX-5L-100-277-5K-T5-HS-CG-EM01 | 40 | 5000K | 80 | T5 | Clear Glass | 6,039 | 148 |
| RDX-5L-100-277-5K-T5-HS-DG-EM01 | 40 | 5000K | 80 | T5 | Diffuse Glass | 5,128 | 126 |
| RDX-5L-100-277-5K-T5-HS-CP-EM01 | 40 | 5000K | 80 | T5 | Clear PC | 5,714 | 140 |
| RDX-5L-100-277-5K-T5-HS-DP-EM01 | 40 | 5000K | 80 | T5 | Diffuse PC | 4,623 | 114 |
| RDX-5L-100-277-5K-T5-HS-DLG-EM01 | 40 | 5000K | 80 | T5 | Drop Lens Glass | 5,836 | 143 |
| RDX-5L-100-277-5K-T3-HS-CG-EM01 | 40 | 5000K | 80 | T3 | Clear Glass | 5,829 | 143 |
| RDX-5L-100-277-5K-T3-HS-CP-EM01 | 40 | 5000K | 80 | T3 | Clear PC | 5,446 | 134 |
| RDX-5L-100-277-5K-T1-HS-CG-EM01 | 40 | 5000K | 80 | T1 | Clear Glass | 5,576 | 137 |
| RDX-5L-100-277-5K-T1-HS-CP-EM01 | 40 | 5000K | 80 | T1 | Clear PC | 5,202 | 128 |
| RDX-5L-100-277-5K-60-HS-CG-EM01 | 40 | 5000K | 80 | 60 | Clear Glass | 6,247 | 153 |
| RDX-5L-100-277-5K-60-HS-CP-EM01 | 40 | 5000K | 80 | 60 | Clear PC | 5,893 | 145 |
| RDX-5L-100-277-5K-30-HS-CG-EM01 | 40 | 5000K | 80 | 30 | Clear Glass | 6,225 | 153 |
| RDX-5L-100-277-5K-30-HS-CP-EM01 | 40 | 5000K | 80 | 30 | Clear PC | 5,878 | 144 |
| RDX-7L-100-277-5K-T5-HS-CG-EM01 | 50 | 5000K | 80 | T5 | Clear Glass | 7,580 | 151 |
| RDX-7L-100-277-5K-T5-HS-DG-EM01 | 50 | 5000K | 80 | T5 | Diffuse Glass | 6,422 | 128 |
| RDX-7L-100-277-5K-T5-HS-CP-EM01 | 50 | 5000K | 80 | T5 | Clear PC | 7,158 | 142 |
| RDX-7L-100-277-5K-T5-HS-DP-EM01 | 50 | 5000K | 80 | T5 | Diffuse PC | 5,790 | 115 |
| RDX-7L-100-277-5K-T5-HS-DLG-EM01 | 50 | 5000K | 80 | T5 | Drop Lens Glass | 7,300 | 145 |
| RDX-7L-100-277-5K-T3-HS-CG-EM01 | 50 | 5000K | 80 | T3 | Clear Glass | 7,304 | 145 |
| RDX-7L-100-277-5K-T3-HS-CP-EM01 | 50 | 5000K | 80 | T3 | Clear PC | 6,818 | 135 |
| RDX-7L-100-277-5K-T1-HS-CG-EM01 | 50 | 5000K | 80 | T1 | Clear Glass | 6,977 | 139 |
| RDX-7L-100-277-5K-T1-HS-CP-EM01 | 50 | 5000K | 80 | T1 | Clear PC | 6,522 | 129 |
| RDX-7L-100-277-5K-60-HS-CG-EM01 | 50 | 5000K | 80 | 60 | Clear Glass | 7,832 | 155 |
| RDX-7L-100-277-5K-60-HS-CP-EM01 | 50 | 5000K | 80 | 60 | Clear PC | 7,390 | 147 |
| RDX-7L-100-277-5K-30-HS-CG-EM01 | 50 | 5000K | 80 | 30 | Clear Glass | 7,794 | 155 |
| RDX-7L-100-277-5K-30-HS-CP-EM01 | 50 | 5000K | 80 | 30 | Clear PC | 7,397 | 147 |
| RDX-9L-100-277-5K-T5-HS-CG-EM01 | 65 | 5000K | 80 | T5 | Clear Glass | 9,873 | 151 |
| RDX-9L-100-277-5K-T5-HS-DG-EM01 | 65 | 5000K | 80 | T5 | Diffuse Glass | 8,366 | 128 |
| RDX-9L-100-277-5K-T5-HS-CP-EM01 | 65 | 5000K | 80 | T5 | Clear PC | 9,327 | 143 |
| RDX-9L-100-277-5K-T5-HS-DP-EM01 | 65 | 5000K | 80 | T5 | Diffuse PC | 7,556 | 116 |
| RDX-9L-100-277-5K-T5-HS-DLG-EM01 | 65 | 5000K | 80 | T5 | Drop Lens Glass | 9,628 | 147 |
| RDX-9L-100-277-5K-T3-HS-CG-EM01 | 65 | 5000K | 80 | T3 | Clear Glass | 9,495 | 145 |
| RDX-9L-100-277-5K-T3-HS-CP-EM01 | 65 | 5000K | 80 | T3 | Clear PC | 8,875 | 136 |
| RDX-9L-100-277-5K-T1-HS-CG-EM01 | 65 | 5000K | 80 | T1 | Clear Glass | 9,090 | 139 |
| RDX-9L-100-277-5K-T1-HS-CP-EM01 | 65 | 5000K | 80 | T1 | Clear PC | 8,470 | 130 |
| RDX-9L-100-277-5K-60-HS-CG-EM01 | 65 | 5000K | 80 | 60 | Clear Glass | 10,227 | 156 |
| RDX-9L-100-277-5K-60-HS-CP-EM01 | 65 | 5000K | 80 | 60 | Clear PC | 9,640 | 147 |
| RDX-9L-100-277-5K-30-HS-CG-EM01 | 65 | 5000K | 80 | 30 | Clear Glass | 10,183 | 156 |
| RDX-9L-100-277-5K-30-HS-CP-EM01 | 65 | 5000K | 80 | 30 | Clear PC | 9,646 | 147 |

This table only lists part of the model lumen parameters, if you need other model parameters, please contact our sales.
 Note: LXX# = nominal lumens. Verify lumen package before ordering.

| PN | Wattage (W) | CCT | CRI | Beam | Lens | Lumen Output (Lm) | Efficiency (Lm/W) |
|---|-------------|-------|-----|------|-----------------|-------------------|-------------------|
| Voltage 100-277VAC 80 CRI • STANDARD | | | | | | | |
| RDX-12L-100-277-5K-T5-HS-CG-EM01 | 85 | 5000K | 80 | T5 | Clear Glass | 12,957 | 150 |
| RDX-12L-100-277-5K-T5-HS-DG-EM01 | 85 | 5000K | 80 | T5 | Diffuse Glass | 10,957 | 127 |
| RDX-12L-100-277-5K-T5-HS-CP-EM01 | 85 | 5000K | 80 | T5 | Clear PC | 12,235 | 142 |
| RDX-12L-100-277-5K-T5-HS-DP-EM01 | 85 | 5000K | 80 | T5 | Diffuse PC | 9,914 | 115 |
| RDX-12L-100-277-5K-T5-HS-DLG-EM01 | 85 | 5000K | 80 | T5 | Drop Lens Glass | 12,603 | 146 |
| RDX-12L-100-277-5K-T3-HS-CG-EM01 | 85 | 5000K | 80 | T3 | Clear Glass | 12,391 | 145 |
| RDX-12L-100-277-5K-T3-HS-CP-EM01 | 85 | 5000K | 80 | T3 | Clear PC | 11,549 | 135 |
| RDX-12L-100-277-5K-T1-HS-CG-EM01 | 85 | 5000K | 80 | T1 | Clear Glass | 11,821 | 139 |
| RDX-12L-100-277-5K-T1-HS-CP-EM01 | 85 | 5000K | 80 | T1 | Clear PC | 11,044 | 129 |
| RDX-12L-100-277-5K-60-HS-CG-EM01 | 85 | 5000K | 80 | 60 | Clear Glass | 13,358 | 156 |
| RDX-12L-100-277-5K-60-HS-CP-EM01 | 85 | 5000K | 80 | 60 | Clear PC | 12,573 | 147 |
| RDX-12L-100-277-5K-30-HS-CG-EM01 | 85 | 5000K | 80 | 30 | Clear Glass | 13,219 | 155 |
| RDX-12L-100-277-5K-30-HS-CP-EM01 | 85 | 5000K | 80 | 30 | Clear PC | 12,543 | 147 |
| RDX-18L-100-277-5K-T5-HS-CG-EM01 | 130 | 5000K | 80 | T5 | Clear Glass | 19,714 | 151 |
| RDX-18L-100-277-5K-T5-HS-DG-EM01 | 130 | 5000K | 80 | T5 | Diffuse Glass | 16,699 | 128 |
| RDX-18L-100-277-5K-T5-HS-CP-EM01 | 130 | 5000K | 80 | T5 | Clear PC | 18,630 | 143 |
| RDX-18L-100-277-5K-T5-HS-DP-EM01 | 130 | 5000K | 80 | T5 | Diffuse PC | 15,089 | 116 |
| RDX-18L-100-277-5K-T5-HS-DLG-EM01 | 130 | 5000K | 80 | T5 | Drop Lens Glass | 18,912 | 145 |
| RDX-18L-100-277-5K-T3-HS-CG-EM01 | 130 | 5000K | 80 | T3 | Clear Glass | 18,825 | 144 |
| RDX-18L-100-277-5K-T3-HS-CP-EM01 | 130 | 5000K | 80 | T3 | Clear PC | 17,634 | 135 |
| RDX-18L-100-277-5K-T1-HS-CG-EM01 | 130 | 5000K | 80 | T1 | Clear Glass | 18,233 | 140 |
| RDX-18L-100-277-5K-T1-HS-CP-EM01 | 130 | 5000K | 80 | T1 | Clear PC | 16,930 | 130 |
| RDX-18L-100-277-5K-60-HS-CG-EM01 | 130 | 5000K | 80 | 60 | Clear Glass | 20,767 | 160 |
| RDX-18L-100-277-5K-60-HS-CP-EM01 | 130 | 5000K | 80 | 60 | Clear PC | 19,623 | 151 |
| RDX-18L-100-277-5K-30-HS-CG-EM01 | 130 | 5000K | 80 | 30 | Clear Glass | 20,654 | 159 |
| RDX-18L-100-277-5K-30-HS-CP-EM01 | 130 | 5000K | 80 | 30 | Clear PC | 19,535 | 150 |
| RDX-22L-100-277-5K-T5-HS-CG-EM01 | 160 | 5000K | 80 | T5 | Clear Glass | 23,551 | 147 |
| RDX-22L-100-277-5K-T5-HS-DG-EM01 | 160 | 5000K | 80 | T5 | Diffuse Glass | 19,897 | 124 |
| RDX-22L-100-277-5K-T5-HS-CP-EM01 | 160 | 5000K | 80 | T5 | Clear PC | 22,282 | 139 |
| RDX-22L-100-277-5K-T5-HS-DP-EM01 | 160 | 5000K | 80 | T5 | Diffuse PC | 18,073 | 113 |
| RDX-22L-100-277-5K-T5-HS-DLG-EM01 | 160 | 5000K | 80 | T5 | Drop Lens Glass | 22,653 | 141 |
| RDX-22L-100-277-5K-T3-HS-CG-EM01 | 160 | 5000K | 80 | T3 | Clear Glass | 22,739 | 141 |
| RDX-22L-100-277-5K-T3-HS-CP-EM01 | 160 | 5000K | 80 | T3 | Clear PC | 21,168 | 132 |
| RDX-22L-100-277-5K-T1-HS-CG-EM01 | 160 | 5000K | 80 | T1 | Clear Glass | 22,010 | 136 |
| RDX-22L-100-277-5K-T1-HS-CP-EM01 | 160 | 5000K | 80 | T1 | Clear PC | 20,418 | 127 |
| RDX-22L-100-277-5K-60-HS-CG-EM01 | 160 | 5000K | 80 | 60 | Clear Glass | 25,132 | 156 |
| RDX-22L-100-277-5K-60-HS-CP-EM01 | 160 | 5000K | 80 | 60 | Clear PC | 23,650 | 147 |
| RDX-22L-100-277-5K-30-HS-CG-EM01 | 160 | 5000K | 80 | 30 | Clear Glass | 24,800 | 154 |
| RDX-22L-100-277-5K-30-HS-CP-EM01 | 160 | 5000K | 80 | 30 | Clear PC | 23,578 | 146 |

This table only lists part of the model lumen parameters, if you need other model parameters, please contact our sales.
 Note: LXX# = nominal lumens. Verify lumen package before ordering.

LUMEN TABLE

| PN | Wattage (W) | CCT | CRI | Beam | Lens | Lumen Output (Lm) | Efficiency (Lm/W) |
|---|-------------|-------|-----|------|-----------------|-------------------|-------------------|
| Voltage 100-277VAC 80 CRI • STANDARD | | | | | | | |
| RDX-28L-100-277-5K-T5-HS-CG-EM01 | 200 | 5000K | 80 | T5 | Clear Glass | 28,654 | 142 |
| RDX-28L-100-277-5K-T5-HS-DG-EM01 | 200 | 5000K | 80 | T5 | Diffuse Glass | 24,295 | 121 |
| RDX-28L-100-277-5K-T5-HS-CP-EM01 | 200 | 5000K | 80 | T5 | Clear PC | 27,329 | 136 |
| RDX-28L-100-277-5K-T5-HS-DP-EM01 | 200 | 5000K | 80 | T5 | Diffuse PC | 22,013 | 109 |
| RDX-28L-100-277-5K-T5-HS-DLG-EM01 | 200 | 5000K | 80 | T5 | Drop Lens Glass | 27,465 | 137 |
| RDX-28L-100-277-5K-T3-HS-CG-EM01 | 200 | 5000K | 80 | T3 | Clear Glass | 27,700 | 136 |
| RDX-28L-100-277-5K-T3-HS-CP-EM01 | 200 | 5000K | 80 | T3 | Clear PC | 26,000 | 128 |
| RDX-28L-100-277-5K-T1-HS-CG-EM01 | 200 | 5000K | 80 | T1 | Clear Glass | 26,862 | 132 |
| RDX-28L-100-277-5K-T1-HS-CP-EM01 | 200 | 5000K | 80 | T1 | Clear PC | 25,088 | 123 |
| RDX-28L-100-277-5K-60-HS-CG-EM01 | 200 | 5000K | 80 | 60 | Clear Glass | 30,157 | 150 |
| RDX-28L-100-277-5K-60-HS-CP-EM01 | 200 | 5000K | 80 | 60 | Clear PC | 28,587 | 142 |
| RDX-28L-100-277-5K-30-HS-CG-EM01 | 200 | 5000K | 80 | 30 | Clear Glass | 30,120 | 149 |
| RDX-28L-100-277-5K-30-HS-CP-EM01 | 200 | 5000K | 80 | 30 | Clear PC | 28,442 | 141 |

Emergency Mode: Voltage 100-277VAC 80 CRI • STANDARD

| | | | | | | | |
|---------------------------------|-----|-------|----|----|-----------------|-------|-----|
| RDX-*-100-277-5K-T5-HS-CG-EM01 | 15 | 5000K | 80 | T5 | Clear Glass | 3,139 | 209 |
| RDX-*-100-277-5K-T5-HS-CG-EM02 | 7.5 | 5000K | 80 | T5 | Clear Glass | 1,725 | 230 |
| RDX-*-100-277-5K-T5-HS-DG-EM01 | 15 | 5000K | 80 | T5 | Diffuse Glass | 2,675 | 178 |
| RDX-*-100-277-5K-T5-HS-DG-EM02 | 7.5 | 5000K | 80 | T5 | Diffuse Glass | 1,466 | 195 |
| RDX-*-100-277-5K-T5-HS-CP-EM01 | 15 | 5000K | 80 | T5 | Clear PC | 2,976 | 198 |
| RDX-*-100-277-5K-T5-HS-CP-EM02 | 7.5 | 5000K | 80 | T5 | Clear PC | 1,632 | 218 |
| RDX-*-100-277-5K-T5-HS-DP-EM01 | 15 | 5000K | 80 | T5 | Diffuse PC | 2,407 | 160 |
| RDX-*-100-277-5K-T5-HS-DP-EM02 | 7.5 | 5000K | 80 | T5 | Diffuse PC | 1,322 | 176 |
| RDX-*-100-277-5K-T5-HS-DLG-EM01 | 15 | 5000K | 80 | T5 | Drop Lens Glass | 3,070 | 205 |
| RDX-*-100-277-5K-T5-HS-DLG-EM02 | 7.5 | 5000K | 80 | T5 | Drop Lens Glass | 1,682 | 224 |
| RDX-*-100-277-5K-T3-HS-CG-EM01 | 15 | 5000K | 80 | T3 | Clear Glass | 3,041 | 203 |
| RDX-*-100-277-5K-T3-HS-CG-EM02 | 7.5 | 5000K | 80 | T3 | Clear Glass | 1,660 | 221 |
| RDX-*-100-277-5K-T3-HS-CP-EM01 | 15 | 5000K | 80 | T3 | Clear PC | 2,834 | 189 |
| RDX-*-100-277-5K-T3-HS-CP-EM02 | 7.5 | 5000K | 80 | T3 | Clear PC | 1,553 | 207 |
| RDX-*-100-277-5K-T1-HS-CG-EM01 | 15 | 5000K | 80 | T1 | Clear Glass | 2,913 | 194 |
| RDX-*-100-277-5K-T1-HS-CG-EM02 | 7.5 | 5000K | 80 | T1 | Clear Glass | 1,595 | 213 |
| RDX-*-100-277-5K-T1-HS-CP-EM01 | 15 | 5000K | 80 | T1 | Clear PC | 2,720 | 181 |
| RDX-*-100-277-5K-T1-HS-CP-EM02 | 7.5 | 5000K | 80 | T1 | Clear PC | 1,487 | 198 |
| RDX-*-100-277-5K-60-HS-CG-EM01 | 15 | 5000K | 80 | 60 | Clear Glass | 3,272 | 218 |
| RDX-*-100-277-5K-60-HS-CG-EM02 | 7.5 | 5000K | 80 | 60 | Clear Glass | 1,796 | 239 |
| RDX-*-100-277-5K-60-HS-CP-EM01 | 15 | 5000K | 80 | 60 | Clear PC | 3,088 | 206 |
| RDX-*-100-277-5K-60-HS-CP-EM02 | 7.5 | 5000K | 80 | 60 | Clear PC | 1,695 | 226 |
| RDX-*-100-277-5K-30-HS-CG-EM01 | 15 | 5000K | 80 | 30 | Clear Glass | 3,244 | 216 |
| RDX-*-100-277-5K-30-HS-CG-EM02 | 7.5 | 5000K | 80 | 30 | Clear Glass | 1,782 | 238 |
| RDX-*-100-277-5K-30-HS-CP-EM01 | 15 | 5000K | 80 | 30 | Clear PC | 3,083 | 206 |
| RDX-*-100-277-5K-30-HS-CP-EM02 | 7.5 | 5000K | 80 | 30 | Clear PC | 1,692 | 226 |

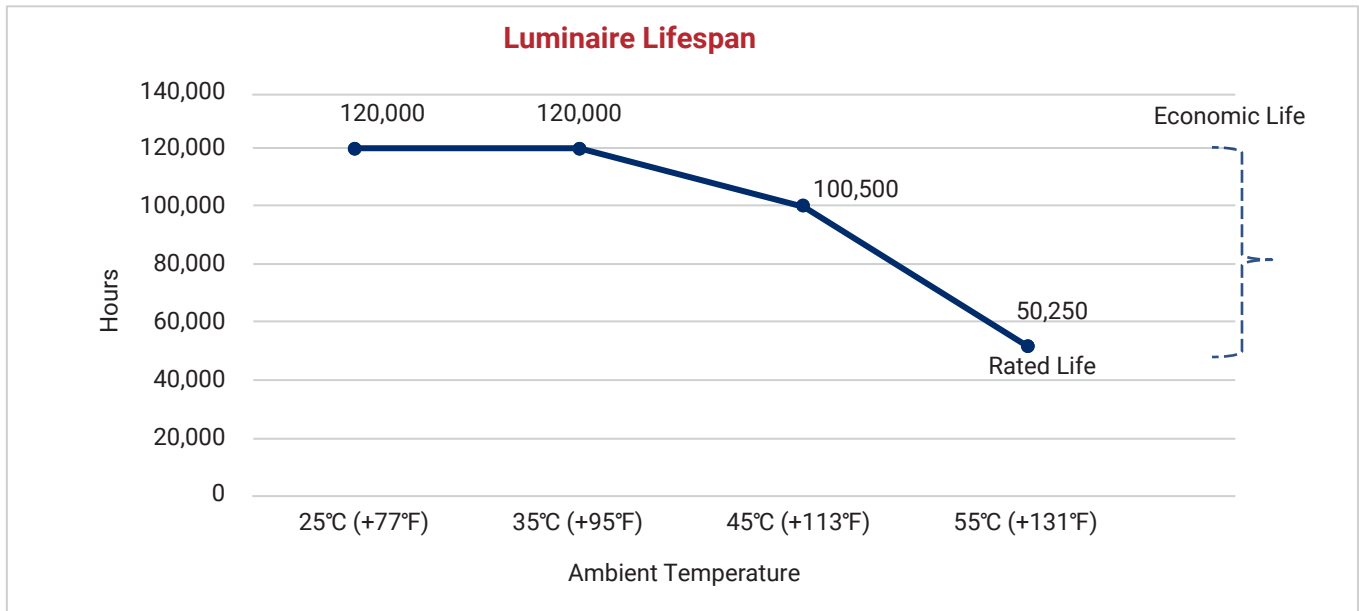
This table only lists part of the model lumen parameters, if you need other model parameters, please contact our sales.
 Note: LXX# = nominal lumens. Verify lumen package before ordering.

LUMEN MAINTENANCE

| Hours Ambient | 0 | 15,000 | 30,000 | 45,000 | 60,000 | 75,000 | 90,000 | 100,000 | 150,000 |
|------------------|------|--------|--------|--------|--------|--------|--------|---------|---------|
| 25°C | 100% | 99% | 97% | 96% | 95% | 94% | 93% | 92% | 89% |
| 35°C | 100% | 99% | 97% | 96% | 95% | 94% | 93% | 92% | 89% |
| 45°C | 100% | 99% | 97% | 96% | 95% | 94% | 93% | 92% | 89% |
| 55°C | 100% | 97% | 96% | 95% | 93% | 92% | 91% | 90% | 87% |

LUMINAIRE LIFESPAN

| Ambient Temperature | Luminaire Lifespan (Hours) | Rated Service Life - Years (24/7 Operation) | Rated Service Life - Years (12/7 Operation) |
|---------------------|----------------------------|---|---|
| 25°C (+77°F) | 120,000 | 14 | 27 |
| 35°C (+95°F) | 120,000 | 14 | 27 |
| 45°C (+113°F) | 100,500 | 11 | 23 |
| 55°C (+131°F) | 50,250 | 6 | 11 |



Information shown for reference only and may vary by configuration.

A DIRECT RETROFIT FROM HID TO LED

The RDX EM series LED is easy to retrofit in the same configuration as your existing HID luminaires. For example, a 200-watt Round Max (RDX-28L-EM) delivers virtually the same illumination as its equivalent 750-watt Metal Halide luminaire while providing an 80% reduction in energy costs and up to 145,000 hours of continuous


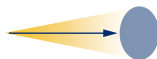





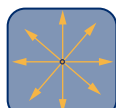
| MODELS | Lumen Output (Lm) | MH Equivalent (W) | HPS Equivalent (W) |
|------------|-------------------|-------------------|--------------------|
| RDX-5L-EM | 6,039 | 150 | 150 |
| RDX-7L-EM | 7,580 | 175 | 225 |
| RDX-9L-EM | 9,873 | 200 | 250 |
| RDX-12L-EM | 12,957 | 300 | 360 |
| RDX-18L-EM | 19,714 | 450 | 400 |
| RDX-22L-EM | 23,551 | 450 | 600 |
| RDX-28L-EM | 28,654 | 750 | 600 |

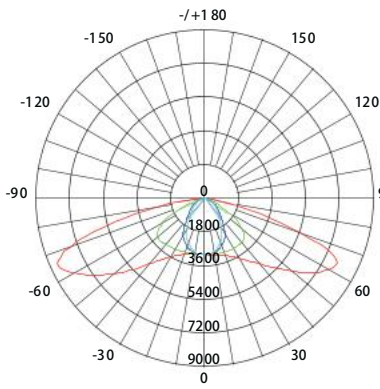
THE RIGHT BEAM PATTERN FOR YOUR APPLICATION

RSL optic package is engineered to deliver maximum footcandles efficiently where you need them, without wasted light or overspill.

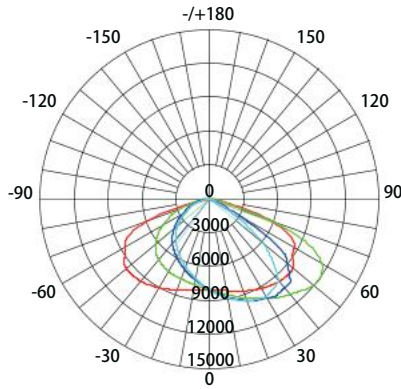
RSL offers complimentary lighting design services for our products using industry-leading AGI32 software, tailored for projects of all sizes in harsh and hazardous locations. We assist you in determining the number of fixtures needed, the types of lights to use, their optimal placement, and how to maximize energy savings—all within budget.

Simply fill out the form (<https://www.redskylighting.com/lighting-design>) with a few key details, request a layout, and we'll bring your ideas to life within 2-5 business days.

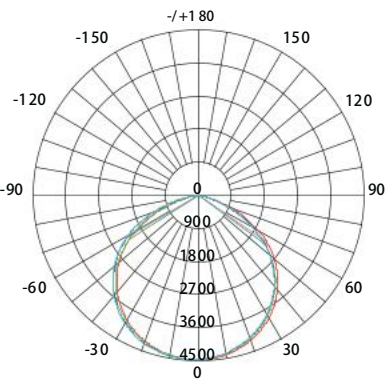
| Beam | NEMA/IESNA Type | Beam Description | Beam Projection Distance |
|------|---------------------------|---|---|
| 30° | NEMA 3 | Medium Narrow |  |
| 60° | NEMA 4 | Medium |  |
| 90° | NEMA 5 | Medium Wide |  |
| 120° | NEMA 6 | Wide |  |
| T1 | Type I | Asymmetric distributions, well suited for narrow areas, such as Conveyor belts, Aisleways, Catwalks, Loading docks and Tunnels. |  |
| T2 | Type II | Asymmetric distributions, well suited for narrow areas, such as roadways, paths and driveways. |  |
| T3 | Type III | Asymmetric distributions, well suited for site / area perimeters, wide roadways, and open areas. |  |
| T5 | NEMA 7 Type V (Square) | Very Wide: symmetrical pattern with excellent uniformity for large, open areas. |  |



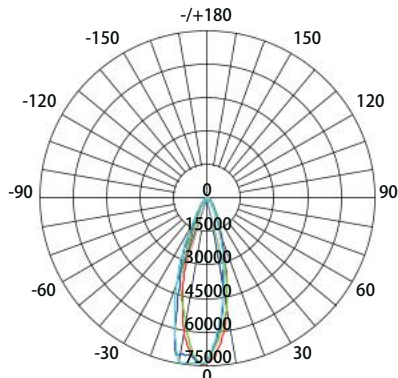
Type I



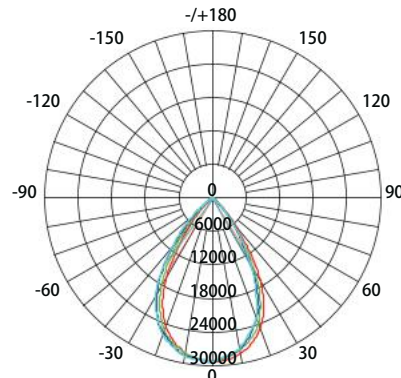
Type III



Type V



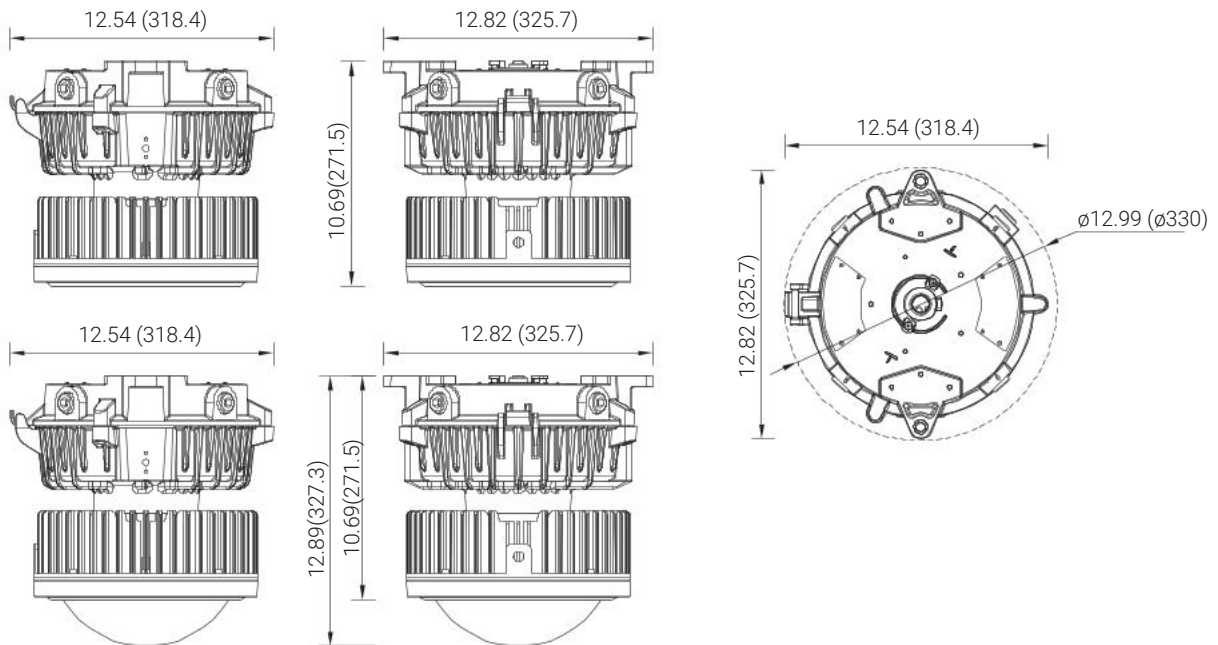
30°



60°

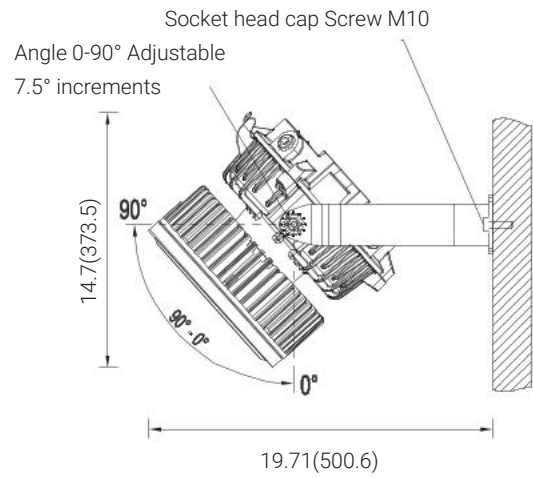
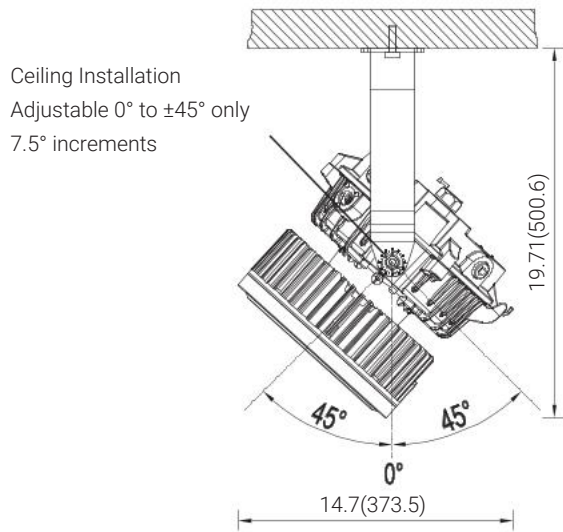
DIMENSIONS

unit: in (mm)

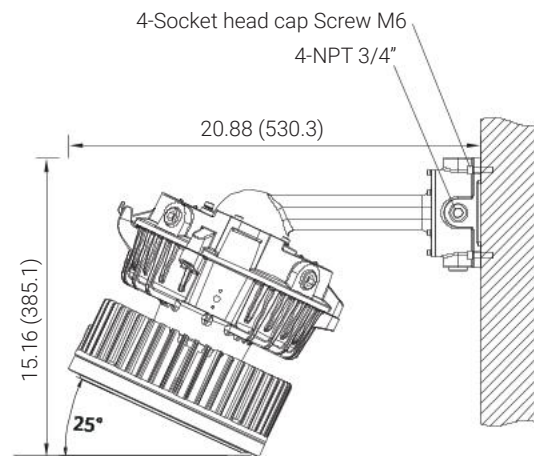
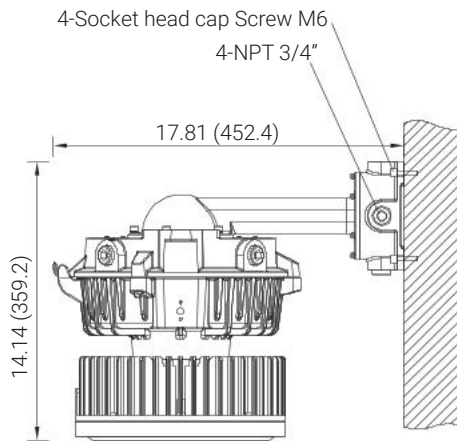
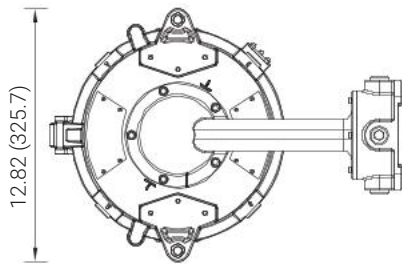


Pendant/Ceiling

unit: in (mm)

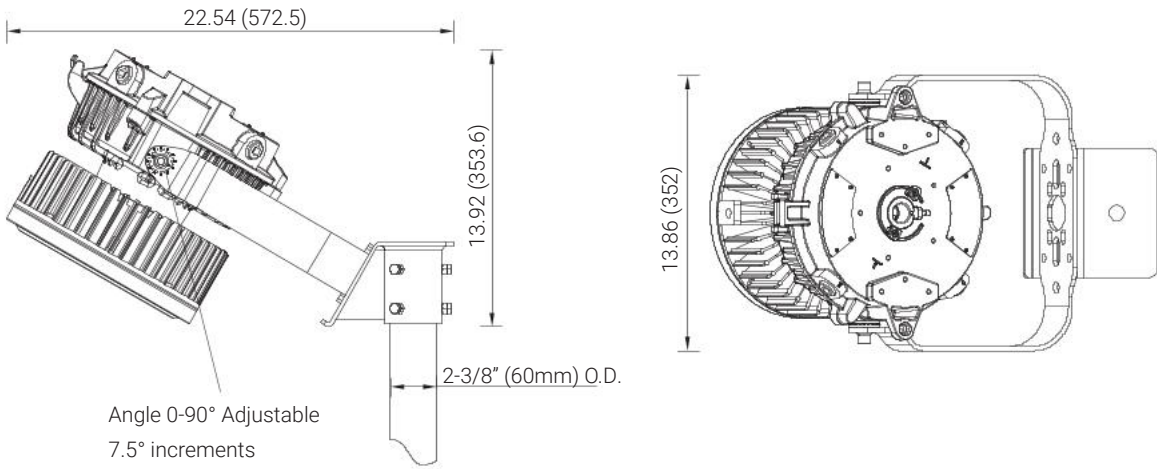


Yoke

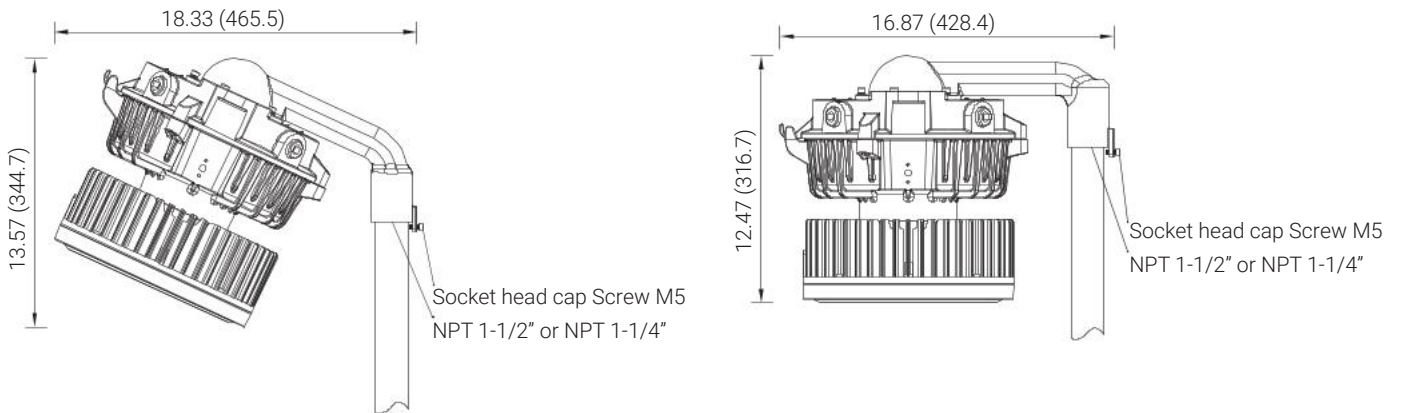
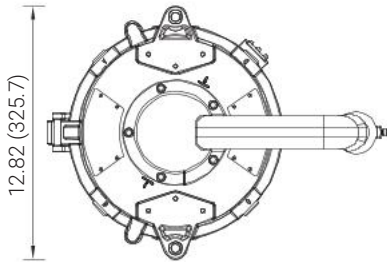


Wall

unit: in (mm)

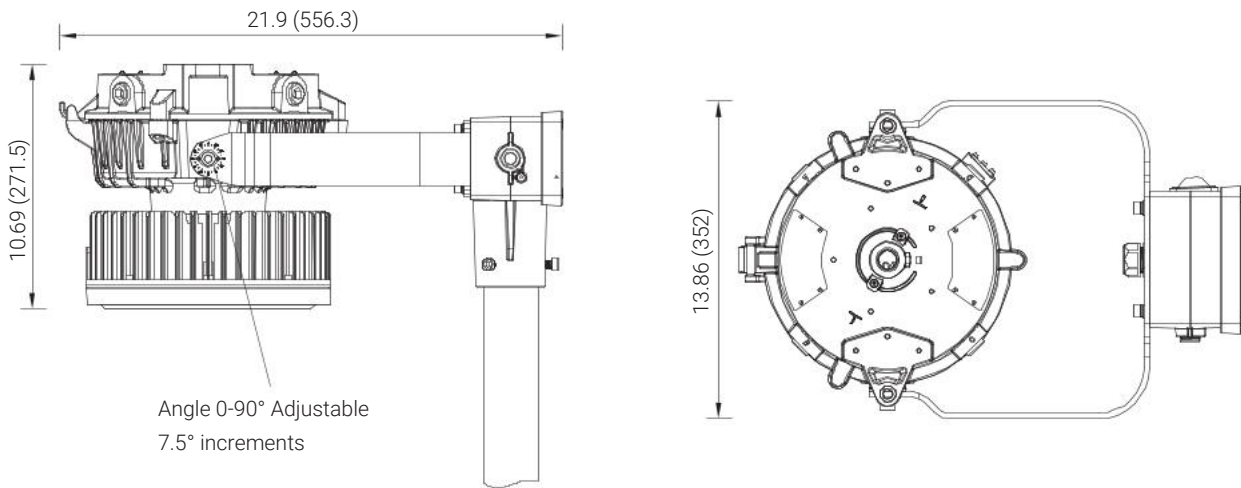
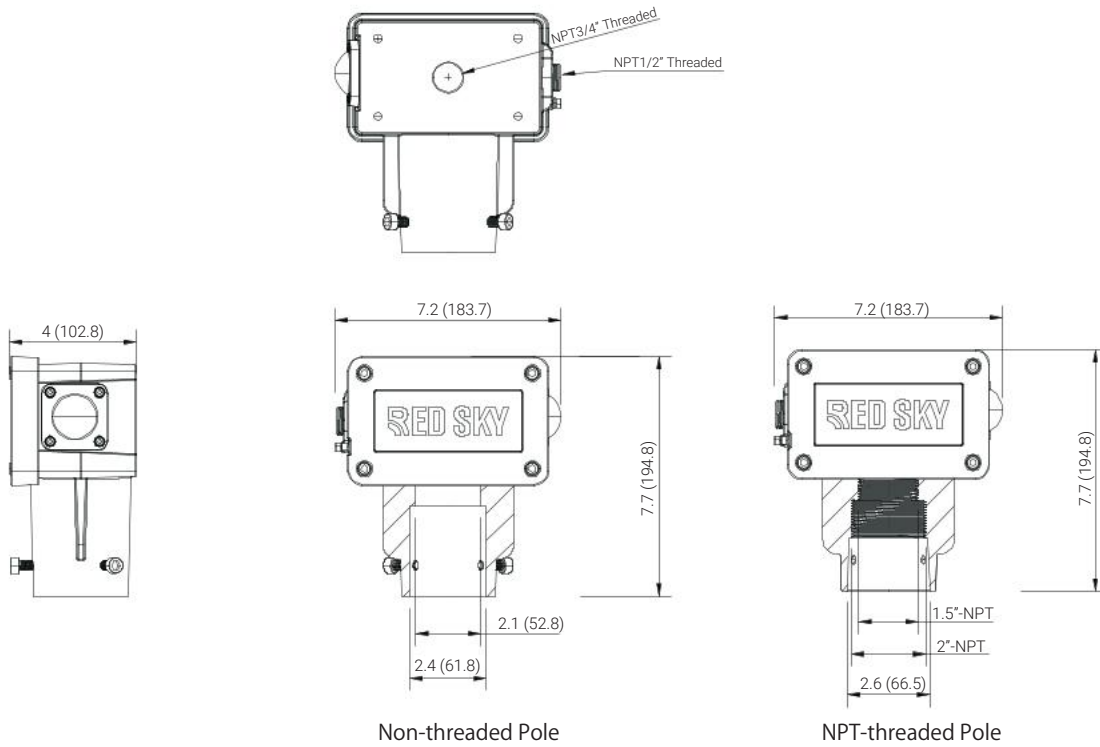


**Stanchion slip fitter
(Straight Pole)**



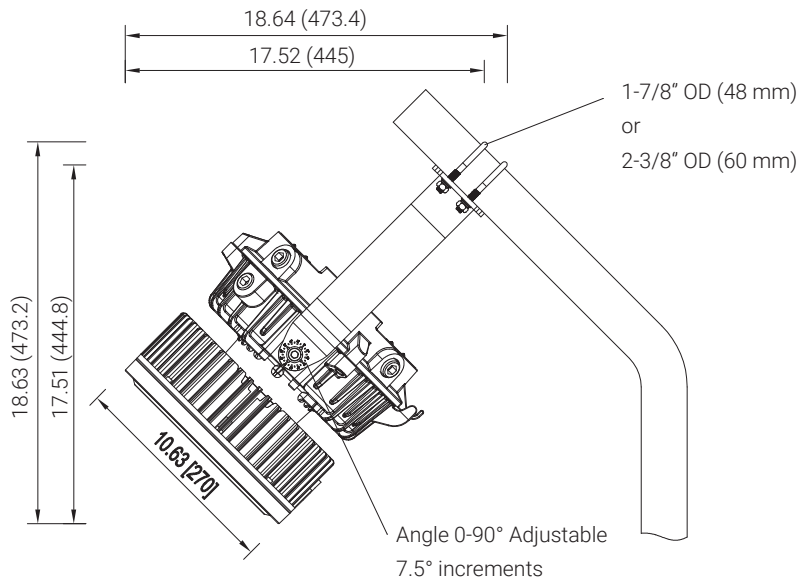
Stanchion

unit: in (mm)



Slip-fit Junction Box

unit: in (mm)

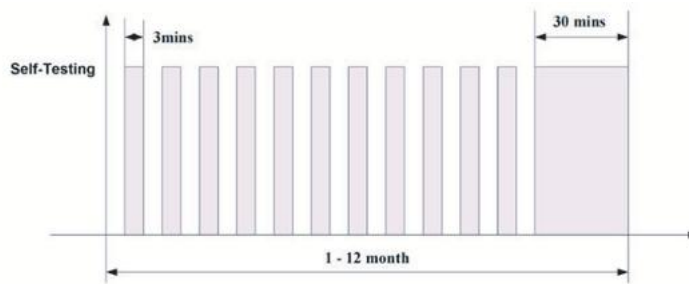


Pole

EMERGENCY TEST FUNCTION

Self-Testing function

The luminaire incorporates a Self-Testing feature that performs a 3-minute monthly self-test every 30 days and a 30-minute annual self-test every 12 months.



During the self-test, the luminaire switches the luminaire to emergency mode and reduces its light output to the emergency level. The test assesses whether the emergency function is operating reliably; if a fault is detected, it is signaled by distinct indicator states, allowing maintenance personnel to identify the fault promptly.

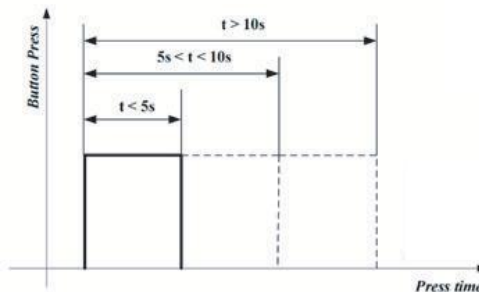
The indicator states are as follows:

| INDICATOR | STATUS |
|---|---------------------------------|
| Green on | Battery full |
| Green slow flashing (3s ON / 3s OFF) | Battery charging |
| Red on | Discharging |
| Red slow flashing (3s ON / 3s OFF) | Self-testing process |
| Red / Green fast flashing (1s Red / 1s Green) | Fault |
| Red fast flashing (1s ON / 1s OFF) | Load fault (Vlamp out of range) |
| Red flashing (1s ON / 5s OFF) | Charger fault |
| Red flashing (5s ON / 1s OFF) | Battery fault |



Test button function

Maintenance engineers can also use the Test Button to manually enter Test, Monthly Test, or Annual Test mode. Which mode is activated depends on the duration the Test Button is held; the operating instructions for the Test Button are as follows.

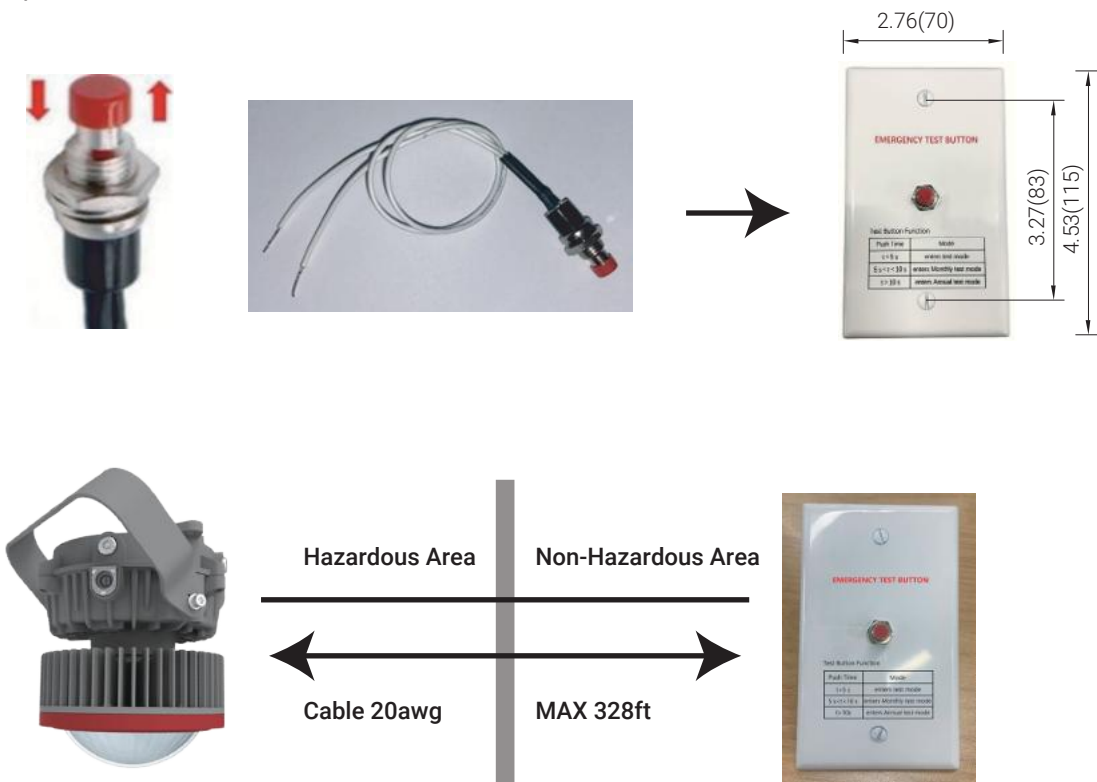


EMERGENCY TEST FUNCTION

- a) Test Button press time $t < 5$ s: enters Test mode; Test mode is exited as soon as the button is released.
- b) Test Button press time $5 \text{ s} < t < 10$ s: enters Monthly Test mode. Once the manual monthly test has started, the complete monthly-test sequence will run to the end and the monthly-test counter will increment by 1. If the button is pressed again while the sequence is running, the monthly test aborts and the counter is not incremented.
- c) Test Button press time $t > 10$ s: enters Annual Test mode. Once the annual test has started, the entire annual-test sequence will finish and the unit will then return to the state of the first monthly test. If the button is pressed while the annual test is running, the annual test aborts and the system waits for the next scheduled annual test.

During the test, if a fault is detected, it will be indicated by the same distinct indicator states described in the Self-Testing section.

The RDX-EM series shipped by RSL to customers is supplied as standard with a test-button (push-button) & Panel. This button & Panel are packed loose in the accessory bag and is not pre-installed inside the luminaire. The installation instructions clearly state that the test button may be used only in non-hazardous areas; its appearance is shown in the photo.



Note: If the installer uses the Test Button supplied with the luminaire accessories, the button must be routed to a Non-Hazardous Area. Use 2*20 AWG or thicker cable; the maximum lead length is 328 ft (100 m). The cable needs to be provided by the customer additionally.

The panel is ETL- or UL-listed; dimensions are as shown in the figure above and comply with current mainstream panel standards.

Let's light your next project—
Email us at [**contact@redskylighting.com**](mailto:contact@redskylighting.com),
call us at **1 (262) 456-5002**
or visit [**www.redskylighting.com**](http://www.redskylighting.com) to get started.

Disclaimer

All product information is subject to change without notice.
Please contact Red Sky Lighting or your sales representative for the most up-to-date specifications.