

# ROUND MAX EMERGENCY SERIES

LED LIGHTING FOR HAZARDOUS  
AREA & FLOOD



**Reliable. Durable. Efficient.**  
**6,000 to 29,000 lumen models**

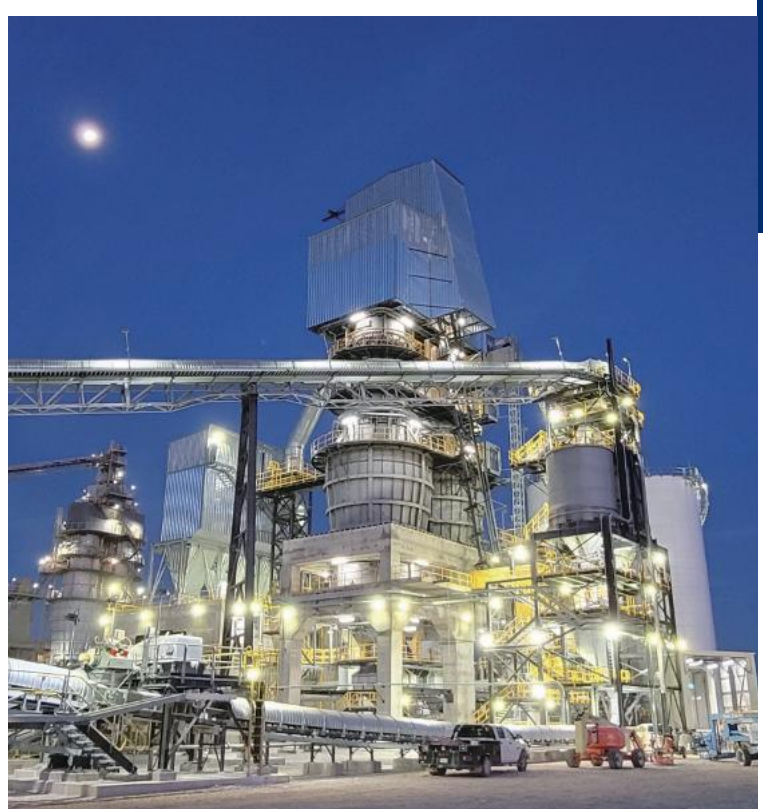
**RED SKY**  
SERIOUSLY SAFE LIGHTS™

## ABOUT RED SKY LIGHTING

# PIONEERING INDUSTRIAL ILLUMINATION FOR HARSH & HAZARDOUS CONDITIONS

---

- A leading manufacturer of premium LED lights for demanding work conditions
- Headquartered in California, products assembled in the USA
- Servicing global clients across four continents in metal processing, oil & gas, marine, manufacturing
- Renowned for quality, dependability, client care, and uncompromising safety standards



## WHY CHOOSE RED SKY

### ❧ SERIOUSLY SAFE LIGHTS

- Rigorously tested in our professional labs
- Surpassing industry certifications and safety protocols
- Crafted with highest grade components for maximum durability

### ❧ FAST DELIVERY

- Majority of orders delivered within 14 days
- Same day shipping for products in stock
- Real-time order tracking for full transparency

### ❧ TOP-NOTCH SERVICES

- Team of experts for seamless support
- Energy audit services, lighting simulation services
- Hassle-free return policy and management

### ❧ SUSTAINABLE SOLUTIONS

- High luminous efficacy LEDs for energy savings
- Conscious product design
- Recyclable materials for products and packaging



# ROUND MAX EMERGENCY SERIES



The ROUND MAX EMERGENCY SERIES (RDX EM) is a UL 924-certified LED lighting solution engineered for harsh and hazardous environments—where safety and performance can't be compromised. Delivering 6,000-29,000 lumens with up to 150 lm/W, the RDX EM ensures dependable, energy-efficient illumination during both regular operation and power loss.

Its integrated LiFePO<sub>4</sub> battery provides 3,000 lm for 90 minutes or 1,500 lm for 180 minutes, maintaining visibility and enabling safe evacuation during critical moments. Designed with marine-grade aluminum, NEMA 4X, IP66 / 67 and IK10 protection, and 3G vibration resistance, it thrives in explosive, high-vibration, and chemically demanding environments.

With an L70 lifetime exceeding 102,000 hours at 140°F (60 °C), the RDX EM is built for long-term durability in the most extreme industrial conditions. Five beam options (type I, III, V, 30°, and 60°) and multiple mounting configurations—Pendant, Ceiling, Yoke, Wall, Stanchion slip fitter, Stanchion, Pole, or Junction Box—make installation flexible and maintenance simple.

Ideal for oil & gas, chemical plants, marine terminals, and industrial hazardous sites, the RDX EM delivers seriously safe, reliable illumination when visibility and safety matter most.



**ROUND MAX EMERGENCY SERIES**  
ALCOHOL FACTORY, KENTUCKY

**FEATURES**



**Built for the Toughest Conditions**

NEMA 4X, IP66 / 67, IK10, and 3G vibration rated, the RDX EM withstands explosive gases, dust, and extreme environments with unwavering reliability.

**Reliable Emergency Protection**

UL 924-certified for emergency lighting, the RDX EM features a LiFePO<sub>4</sub> battery system delivering 3,000 lm for 90 minutes or 1,500 lm for 180 minutes, keeping workers safe when the power goes out.

**Adaptable to Every Application**

With five beam options and eight mounting configurations, the RDX EM provides versatile lighting for oil & gas, chemical, and industrial facilities.

**RATINGS**

Class I Division 2, Group A, B, C, D	NEMA 4X, IP66 / 67
Class II Division 1 Group E, F, G	IK08(Glass) / IK10(PC)
Class II Division 2, Group F, G	Salt Spray 720 hrs (ASTM B117)
Class III	3G Vibration (ANSI C136.31)
Class I, Zone 2, Group IIC	
Zone 21, Group IIIC	
UL 1598 Wet Locations	
UL 1598A Marine Outside Type (Salt Water)	

**CERTIFICATIONS**

- UL 844
- UL924
- UL1598
- UL1598A
- CSA C22.2 No. 137
- CSA C22.2 No. 141
- CSA C22.2 No. 250.0
- FCC Part 15, Subpart B

# TECHNICAL PARAMETERS

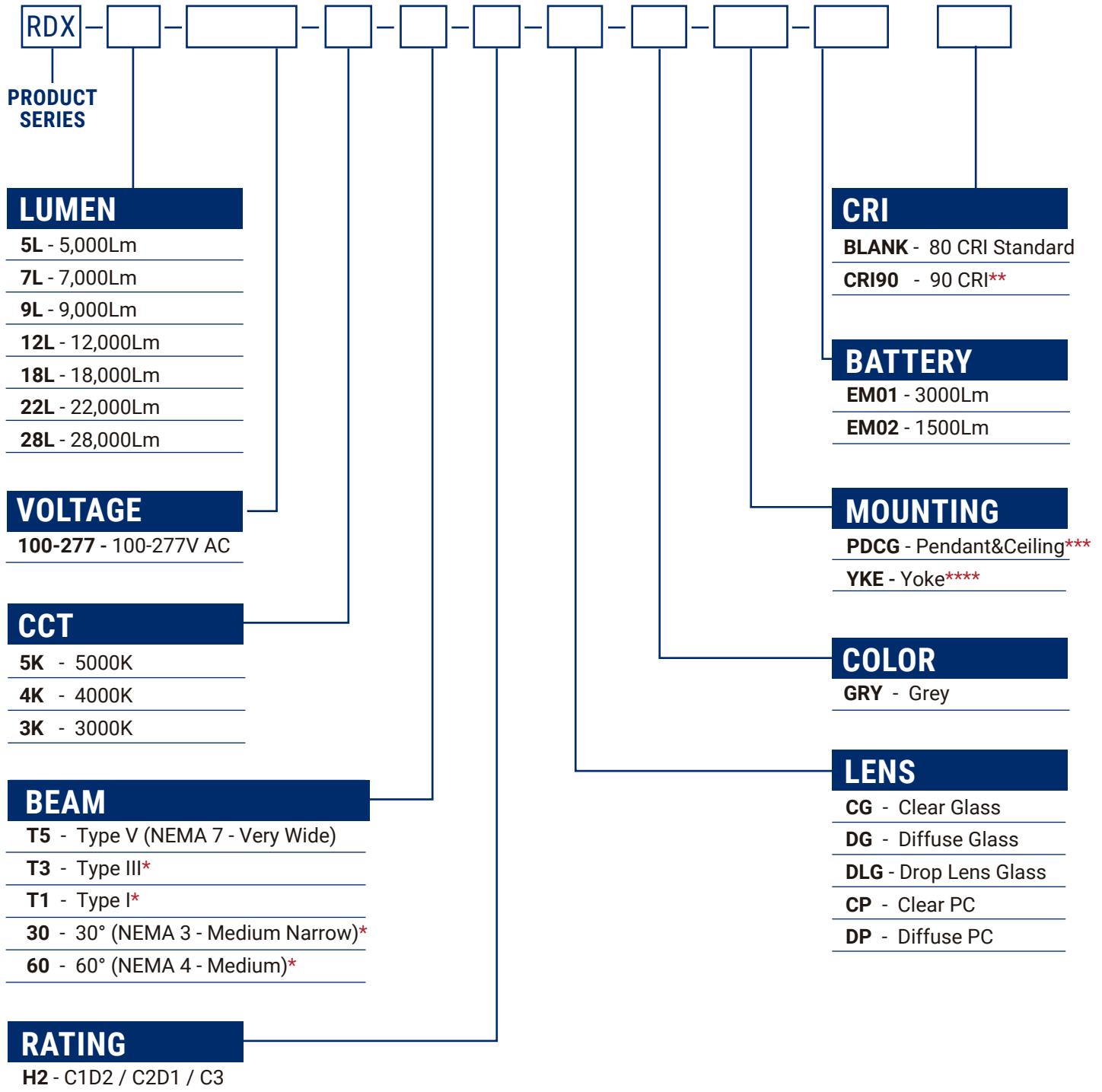
Specification	RDX-5L-EM	RDX-7L-EM	RDX-9L-EM	RDX-12L-EM	RDX-18L-EM	RDX-22L-EM	RDX-28L-EM
<b>Electrical Parameters</b>							
Power	40W	50W	65W	85W	130W	160W	200W
Rated Input Current (120V AC)	0.370	0.463	0.602	0.787	1.204	1.481	1.852
Rated Input Current (277V AC)	0.160	0.201	0.261	0.341	0.521	0.642	0.802
Voltage/Frequency	100-277VAC 50/60Hz						
Power Factor	≥0.90						
THD	<20%						
L70	>102,000 hrs@60°C						
Dimming	0-10V, Range 10%-100%						
Surge Protection	10KV						
Supply Wire	18-12AWG						
Charge Time	24 hours						
Emergency Run Time*	3,000Lm@90mins / 1,500Lm@180mins						
Battery	LiFePO <sub>4</sub> Rechargeable battery						
Warranty	Fixture: 5 years, Battery: 3 years						
<b>Optical Parameters</b>							
Lumen Output*	6,039Lm	7,580Lm	9,873Lm	12,957Lm	19,714Lm	23,551Lm	28,654Lm
Lumen Efficacy*	150Lm/W						
Available Beam Angle	30° / 60°/T1/T3/T5						
Correlated Color Temperature (CCT)	3000K/4000K/5000K						
Color Rendering Index (CRI)	80 CRI						
<b>Mechanical Parameters</b>							
Housing Material	Marine Grade Aluminium						
Hardware	Stainless steel 316						
Lens Material	Tempered Glass or Polycarbonate						
Mounting Options	Pendant , Ceiling, Yoke, Wall, Stanchion slip fitter, Stanchion, Pole, Junction Box						
Product Weight	28lbs / 12.7kg						
Package Weight	30.64lbs / 13.9kg						
Cable Entry	(5) NPT 3/4"						
Product Dimensions(LxWxH)	Flat lens: Φ13x10.7 in (Φ330x271.5 mm) / Drop lens: Φ13x12.9 in (Φ330x327.3 mm)						
Package Dimensions(LxWxH)	18.9x15.35x15.35 in (480x390x390 mm)						
<b>Environmental Parameters</b>							
Corrosion Resistance	Salt Spray 720 hrs (ASTM B117)						
Vibration Resistance	3G (ANSI C136.31) **						
Ambient Operating Temperature	32°F ~+140°F (0°C ~ +60°C)						32°F ~ +131°F (0 ~ +55°C)
T-Code Rating	CID2-T5, CIID1&CIID3-T5			CID2-T4A CIID1&CIID3-T5	CID2-T4, CIID1&CIID3-T4A		CID2-T3C CIID1&CIID3-T4
EPA wind rating (FT2/m <sup>2</sup> )	1.14 (Ceiling)/1.47 (Yoke)/1.49 (Stanchion Slip Fitter)/1.22 (Stanchion)/ 1.61 (Junction Box)						

\* Value calculated based on 5000K and CRI80 and Clear glass ,varies to different spec.

\*\* Yoke Mount Only

# ORDERING INFORMATION

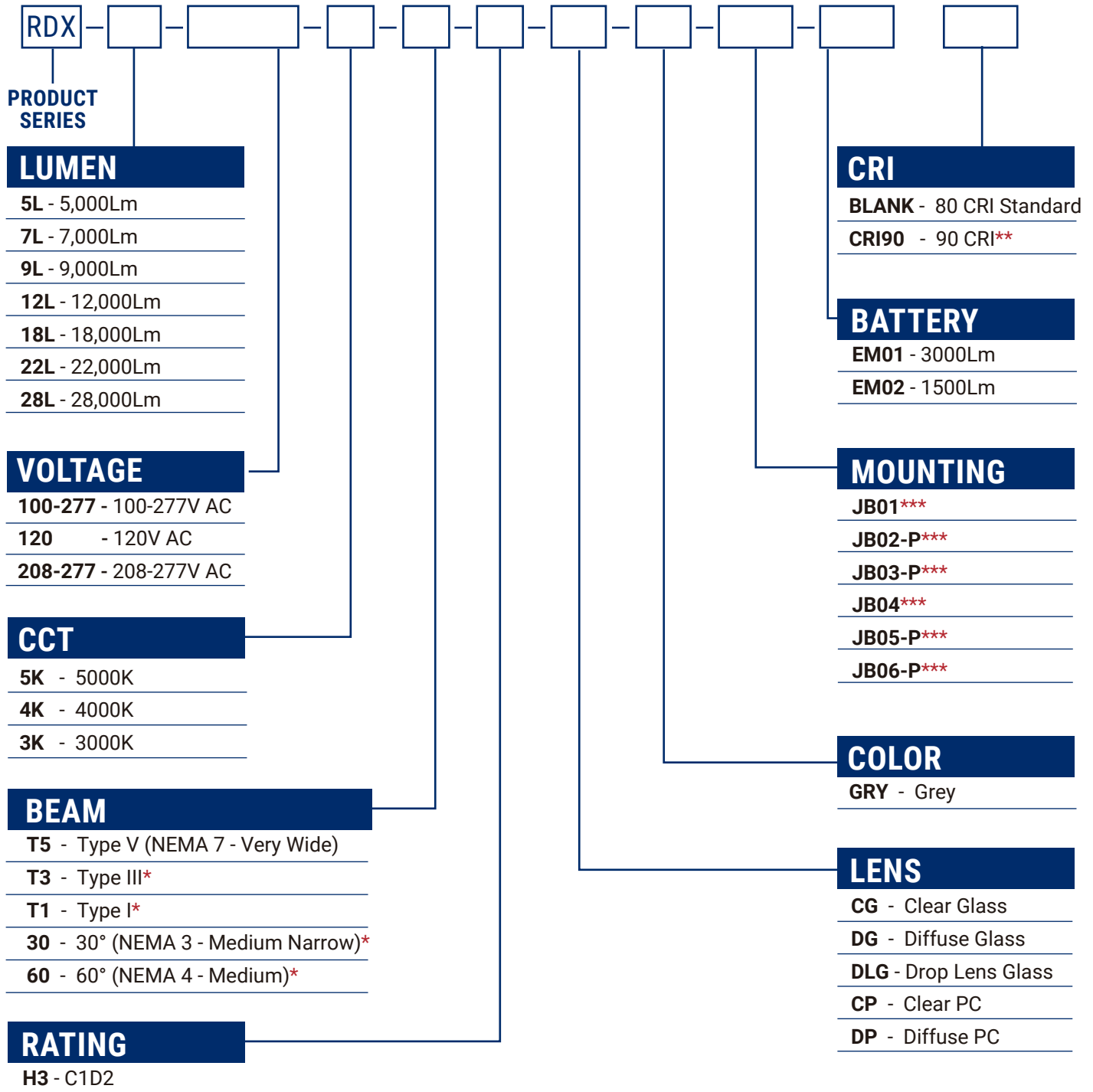
**EXAMPLE:** RDX-9L-100-277-5K-T5-H2-CG-GRY-PDCG-EM01



\* T1, T3, 30°, 60°, only available with Clear Glass & Clear PC.  
 \*\* CRI 90, expect longer lead time.  
 \*\*\* No accessory required for Pendant & Ceiling Mount  
 \*\*\*\* YOKE factory pre-installed, no additional accessory order required.

# ORDERING INFORMATION (JUNCTION BOX MODELS)

**EXAMPLE:** RDX-9L-100-277-5K-T5-H3-CG-GRY-JB01-EM01



\* T1, T3, 30°, 60°, only available with Clear Glass & Clear PC.

\*\* CRI 90, expect longer lead time.

\*\*\* JB01: 1.5 inch (1.9 inch OD) and 2 inch (2-3/8 inch OD) NPT Threaded Slip-Fit Junction Box

JB02-P: 1.5 inch (1.9 inch OD) and 2 inch (2-3/8 inch OD) NPT Threaded Slip-Fit Junction Box + Sensor (120V)

JB03-P: 1.5 inch (1.9 inch OD) and 2 inch (2-3/8 inch OD) NPT Threaded Slip-Fit Junction Box + Sensor (208-277V)

JB04: 1.5 inch (1.9 inch OD) and 2 inch (2-3/8 inch OD) Non-Threaded Slip-Fit Junction Box

JB05-P: 1.5 inch (1.9 inch OD) and 2 inch (2-3/8 inch OD) Non-Threaded Slip-Fit Junction Box + Sensor (120V)

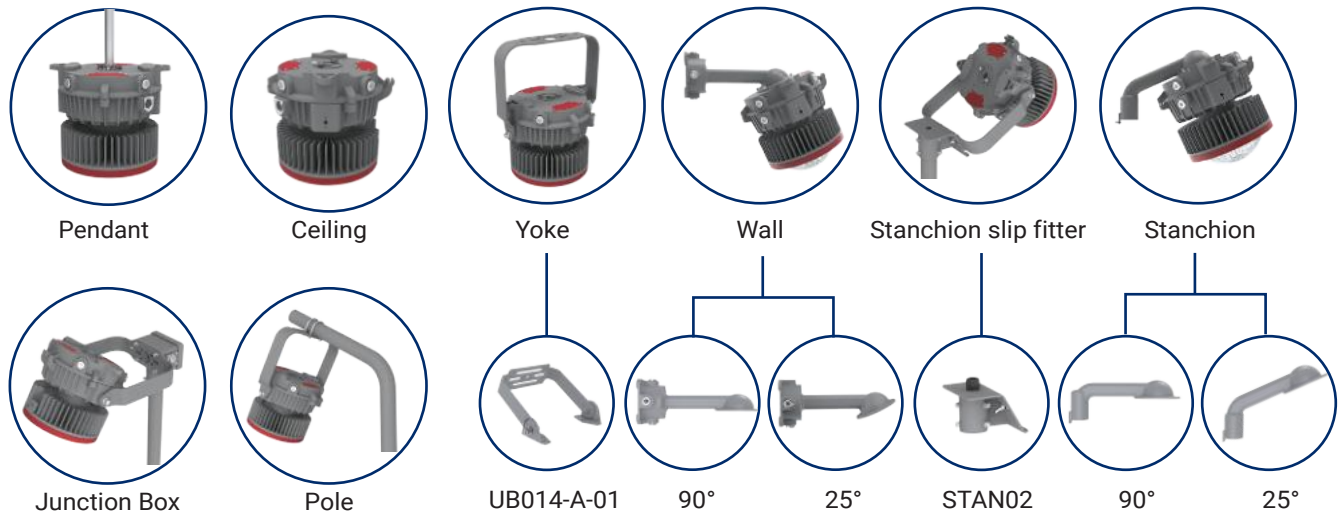
JB06-P: 1.5 inch (1.9 inch OD) and 2 inch (2-3/8 inch OD) Non-Threaded Slip-Fit Junction Box + Sensor (208-277V)

100-277 VAC for JB01 and JB04.

120 VAC only for JB02-P and JB05-P.

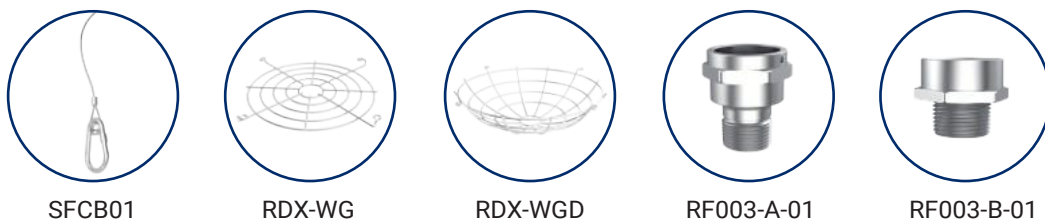
208-277 VAC only for JB03-P and JB06-P.

## **MOUNTING ACCESSORIES**



Mounting Method	PN	Description	MPN Code
Yoke	UB014-A-01	Straight Yoke, 0-90 Degrees Adjustable, SUS304, Powder-Coated Grey RAL 7037	210010061
Wall	WL2502	Wall Mount, 25 Degrees, Powder-Coated Grey RAL 7037	210010036
	WL9002	Wall Mount, 90 Degrees, Powder-Coated Grey RAL 7037	210010035
Stanchion Slip Fitter (Straight Pole)	STAN02	Slip-Fit Stanchion Mount Kit for 2 inch Diameter (2 3/8 inch OD) Poles, Non-threaded, SUS304, Powder-Coated Grey RAL 7037	210010047
Stanchion	SN2504	Stanchion Mount, 25 Degrees, NPT 1-1/2, Powder-Coated Grey RAL 7037	210010038
	SN2503	Stanchion Mount, 25 Degrees, NPT 1-1/4, Powder-Coated Grey RAL 7037	210010037
	SN9004	Stanchion Mount, 90 Degrees, NPT 1-1/2, Powder-Coated Grey RAL 7037	210010040
	SN9003	Stanchion Mount, 90 Degrees, NPT 1-1/4, Powder-Coated Grey RAL 7037	210010039
Pole (Adapting U-Bracket)	CLAMP01	Pipe Clamp Kit for Round Pole 1-7/8 inch OD (48 mm), SUS304	210010011
	CLAMP02	Pipe Clamp Kit for Round Pole 2-3/8 inch OD (60 mm), SUS304	210010010

## **OTHER ACCESSORIES**



PN	Description	MPN Code
SFCB01	Safety Cable Kit, SS304	210010086
RDX-WG	Wire Guard for Flat Glass Lens	210100111
RDX-WGD	Wire Guard for Drop Glass Lens	210100112
RF003-A-01	SUS304, 1 inch to 3/4 inch NPT Reducer for Pendant	210100106
RF003-B-01	SUS304, 1 inch to 3/4 inch NPT Reducer for Yoke & Ceiling & Wall	210100107

# MAX. MOUNTING HEIGHT

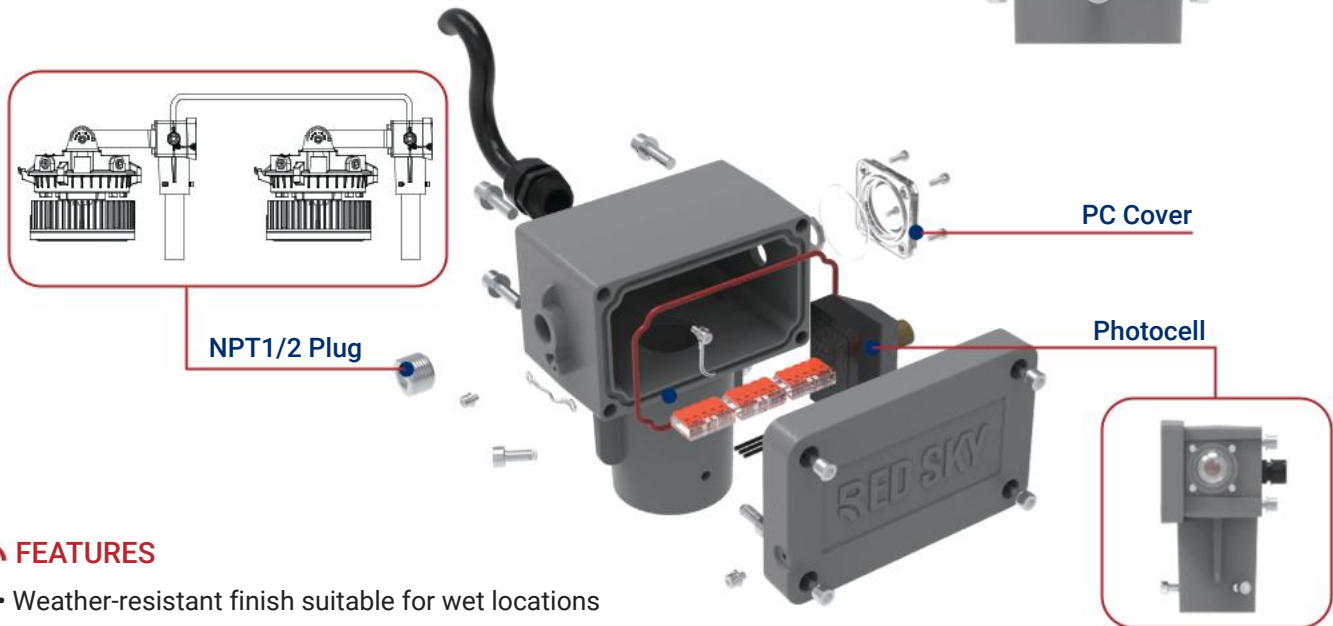
Model	Mounting Orientation	Guard (optional)	Designates Beam of LED	Designates Lens for LED	Max Mounting Height(ft)	Max Mounting Height(m)		
RDX-5L RDX-7L RDX-9L RDX-12L	Lens Facing Down 0° From Vertical	No Guard	30	CG	66.7	20.33		
				CP	64.8	19.75		
			60	CG	58.81	17.93		
				CP	56.2	17.13		
			T1	CG	23.75	7.24		
				CP	23.95	7.30		
			T3	CG	22.25	6.78		
				CP	22.09	6.73		
			T5	CG	28.56	8.71		
				CP	27.77	8.46		
				DG	27.16	8.28		
				DP	27.29	8.32		
				DLG	28.85	8.79		
			Lens Facing Down 0°~45° From Vertical	No Guard	30	CG	53.42	16.28
						CP	50.44	15.37
					60	CG	48.47	14.77
	CP	49.03				14.94		
	T1	CG			20.29	6.18		
		CP			20.06	6.11		
	T3	CG			17.72	5.40		
		CP			18.51	5.64		
	T5	CG			24.29	7.40		
		CP			24.73	7.54		
		DG			24.44	7.45		
		DP			24.3	7.41		
		DLG			23.84	7.27		
	Lens Facing Down 0° From Vertical	With Guard			30	CG	59.37	18.10
						CP	56.7	17.28
					60	CG	52.11	15.88
			CP	49.73		15.16		
			T1	CG	22.3	6.80		
				CP	22.2	6.77		
T3			CG	20.58	6.27			
			CP	20.64	6.29			
T5			CG	26.56	8.10			
			CP	25.95	7.91			
			DG	25.35	7.73			
			DP	24.83	7.57			
			DLG	26.03	7.93			
Lens Facing Down 0°~45° From Vertical			With Guard	30	CG	42.05	12.82	
					CP	45.22	13.78	
				60	CG	45.74	13.94	
	CP	42.92			13.08			
	T1	CG		18.83	5.74			
		CP		18.77	5.72			
	T3	CG		17.25	5.26			
		CP		17.04	5.19			
	T5	CG		20.98	6.39			
		CP		22.25	6.78			
		DG		21.15	6.45			
		DP		22.93	6.99			
		DLG		20.47	6.24			

# MAX. MOUNTING HEIGHT

Model	Mounting Orientation	Guard (optional)	Designates Beam of LED	Designates Lens for LED	Max Mounting Height(ft)	Max Mounting Height(m)
RDX-18L RDX-22L RDX-28L	Lens Facing Down 0° From Vertical	No Guard	30	CG	66.73	20.34
				CP	63.66	19.40
			60	CG	54.57	16.63
				CP	52.34	15.95
			T1	CG	23.6	7.19
				CP	23.55	7.18
			T3	CG	22.36	6.82
				CP	22.14	6.75
			T5	CG	28.57	8.71
				CP	27.9	8.50
				DG	27.55	8.40
				DP	27.12	8.27
	DLG	28.4		8.66		
	Lens Facing Down 0°~45° From Vertical	No Guard	30	CG	50.84	15.50
				CP	47.6	14.51
			60	CG	46.15	14.07
				CP	43.44	13.24
			T1	CG	19.76	6.02
				CP	19.7	6.00
			T3	CG	17.52	5.34
				CP	17.66	5.38
			T5	CG	26.14	7.97
				CP	24.97	7.61
				DG	24.15	7.36
				DP	23.85	7.27
	DLG	25.68		7.83		
	Lens Facing Down 0° From Vertical	With Guard	30	CG	60.09	18.32
				CP	57.25	17.45
			60	CG	48.91	14.91
				CP	47.17	14.38
			T1	CG	22.36	6.82
				CP	22.09	6.73
			T3	CG	20.52	6.25
				CP	20.17	6.15
			T5	CG	27.03	8.24
				CP	26.27	8.01
DG				25.49	7.77	
DP				24.92	7.60	
DLG	25.81	7.87				
Lens Facing Down 0°~45° From Vertical	With Guard	30	CG	44.5	13.56	
			CP	40.7	12.41	
		60	CG	39.93	12.17	
			CP	39.42	12.02	
		T1	CG	17.86	5.44	
			CP	18.25	5.56	
		T3	CG	16.54	5.04	
			CP	16.54	5.04	
		T5	CG	23.95	7.30	
			CP	22.99	7.01	
			DG	22.46	6.85	
			DP	21.38	6.52	
DLG	23.55		7.18			

# SLIP-FIT JUNCTION BOX

The **Junction Box** is a multi-piece assembly featuring a copper-free, cast-aluminum housing, front cover, and cable gland. The design accommodates both stanchion installation and other mounting options. It is compatible with 2" (2 3/8" OD) and 1.5" (1.9" OD) poles, both NPT-threaded and non-threaded.



## FEATURES

- Weather-resistant finish suitable for wet locations and marine environments
- WAGO 211 lever connectors (5-pole, UL/CSA, 18-12 AWG) for easy, hassle-free wiring
- Wiring access cover with captive screws and a rear hub featuring NPT 1/2" threads for daisy-chain wiring
- Optional C1D2 Photocell Sensor built-in
- Ambient temperature range: 32°F ~140°F (0°C ~ +60°C) for 5L / 7L / 9L / 12L / 18L / 22L , 32°F ~ +131°F (0 ~ +55°C) for 28L
- Shock and vibration-resistant design

## CERTIFICATIONS & RATINGS

- UL844 Class I Division 2, Group A, B,C, D
- UL 1598 Wet Locations
- UL 1598A Marine Outside Type (Salt Water)
- CSA C22.2 No. 137
- CSA C22.2 No. 250.0
- IP66
- IK10
- Salt Spray 720 hrs (ASTM B117 )

## INSTALLATION EXAMPLE



## **REPLACEMENT PARTS (ORDERED SEPARATELY)**

Part Number	Description	MPN Code
RDX-5L-EM-Driver	Replacement Driver Kit for RDX-5L-EM Fixtures (Input 100-277Vac,40W)	303010109
RDX-7L-EM-Driver	Replacement Driver Kit for RDX-7L-EM Fixtures (Input 100-277Vac,50W)	303010110
RDX-9L-EM-Driver	Replacement Driver Kit for RDX-9L-EM Fixtures (Input 100-277Vac,65W)	303010111
RDX-12L-EM-Driver	Replacement Driver Kit for RDX-12L-EM Fixtures (Input 100-277Vac,85W)	303010112
RDX-18L-EM-Driver	Replacement Driver Kit for RDX-18L-EM Fixtures (Input 100-277Vac,130W)	303010113
RDX-22L-EM-Driver	Replacement Driver Kit for RDX-22L-EM Fixtures (Input 100-277Vac,160W)	303010114
RDX-28L-EM-Driver	Replacement Driver Kit for RDX-27L-EM Fixtures (Input 100-277Vac,200W)	303010115
RDX-EM01-Driver	Replacement Emergency Backup Driver Kit for RDX-EM01 Models (Input 100-277Vac,15W)	303010116
RDX-EM02-Driver	Replacement Emergency Backup Driver Kit for RDX-EM02 Models (Input 100-277Vac,7.5W)	303010117
RDX-EM LiFePO <sub>4</sub> Battery	Replacement Battery for RDX-EM Fixtures (4AH)	303040007
CG014-A-01	Replacement Clear Glass(AR) Lens for RDX	303030030
DG003-A-01	Replacement Diffuse Glass Lens for RDX	303030008
DLG003-A-01	Replacement Drop Glass Lens for RDX	303030009
CP003-A-01	Replacement Clear PC Lens for RDX	303030010
PC014-A-01	Replacement Diffuse PC Lens for RDX	303030031
JB01	1.5 inch (1.9 inch OD) and 2 inch (2-3/8 inch OD) NPT Threaded Slip-Fit Junction Box	210100116
JB02-P	1.5 inch (1.9 inch OD) and 2 inch (2-3/8 inch OD) NPT Threaded Slip-Fit Junction Box + Sensor (120V)	210100117
JB03-P	1.5 inch (1.9 inch OD) and 2 inch (2-3/8 inch OD) NPT Threaded Slip-Fit Junction Box + Sensor (208-277V)	210100118
JB04	1.5 inch (1.9 inch OD) and 2 inch (2-3/8 inch OD) Non-Threaded Slip-Fit Junction Box	210100119
JB05-P	1.5 inch (1.9 inch OD) and 2 inch (2-3/8 inch OD) Non-Threaded Slip-Fit Junction Box + Sensor (120V)	210100120
JB06-P	1.5 inch (1.9 inch OD) and 2 inch (2-3/8 inch OD) Non-Threaded Slip-Fit Junction Box + Sensor (208-277V)	210100121
GLCO-03	3 ft Cord (SOOW 14 AWG x 3, 105 degrees Celsius, 600V) with Cable Gland	210010098
GLCO-10	10 ft Cord (SOOW 14 AWG x 3, 105 degrees Celsius, 600V) with Cable Gland	210010099

# LUMEN TABLE

PN	Wattage (W)	CCT	CRI	Beam	Lens	Lumen Output (Lm)	Efficiency (Lm/W)
<b>Voltage 100-277VAC 80 CRI • STANDARD</b>							
RDX-5L-100-277-5K-T5-H2-CG-EM01	40	5000K	80	T5	Clear Glass	6,039	148
RDX-5L-100-277-5K-T5-H2-DG-EM01	40	5000K	80	T5	Diffuse Glass	5,128	126
RDX-5L-100-277-5K-T5-H2-CP-EM01	40	5000K	80	T5	Clear PC	5,714	140
RDX-5L-100-277-5K-T5-H2-DP-EM01	40	5000K	80	T5	Diffuse PC	4,623	114
RDX-5L-100-277-5K-T5-H2-DLG-EM01	40	5000K	80	T5	Drop Lens Glass	5,836	143
RDX-5L-100-277-5K-T3-H2-CG-EM01	40	5000K	80	T3	Clear Glass	5,829	143
RDX-5L-100-277-5K-T3-H2-CP-EM01	40	5000K	80	T3	Clear PC	5,446	134
RDX-5L-100-277-5K-T1-H2-CG-EM01	40	5000K	80	T1	Clear Glass	5,576	137
RDX-5L-100-277-5K-T1-H2-CP-EM01	40	5000K	80	T1	Clear PC	5,202	128
RDX-5L-100-277-5K-60-H2-CG-EM01	40	5000K	80	60	Clear Glass	6,247	153
RDX-5L-100-277-5K-60-H2-CP-EM01	40	5000K	80	60	Clear PC	5,893	145
RDX-5L-100-277-5K-30-H2-CG-EM01	40	5000K	80	30	Clear Glass	6,225	153
RDX-5L-100-277-5K-30-H2-CP-EM01	40	5000K	80	30	Clear PC	5,878	144
RDX-7L-100-277-5K-T5-H2-CG-EM01	50	5000K	80	T5	Clear Glass	7,580	151
RDX-7L-100-277-5K-T5-H2-DG-EM01	50	5000K	80	T5	Diffuse Glass	6,422	128
RDX-7L-100-277-5K-T5-H2-CP-EM01	50	5000K	80	T5	Clear PC	7,158	142
RDX-7L-100-277-5K-T5-H2-DP-EM01	50	5000K	80	T5	Diffuse PC	5,790	115
RDX-7L-100-277-5K-T5-H2-DLG-EM01	50	5000K	80	T5	Drop Lens Glass	7,300	145
RDX-7L-100-277-5K-T3-H2-CG-EM01	50	5000K	80	T3	Clear Glass	7,304	145
RDX-7L-100-277-5K-T3-H2-CP-EM01	50	5000K	80	T3	Clear PC	6,818	135
RDX-7L-100-277-5K-T1-H2-CG-EM01	50	5000K	80	T1	Clear Glass	6,977	139
RDX-7L-100-277-5K-T1-H2-CP-EM01	50	5000K	80	T1	Clear PC	6,522	129
RDX-7L-100-277-5K-60-H2-CG-EM01	50	5000K	80	60	Clear Glass	7,832	155
RDX-7L-100-277-5K-60-H2-CP-EM01	50	5000K	80	60	Clear PC	7,390	147
RDX-7L-100-277-5K-30-H2-CG-EM01	50	5000K	80	30	Clear Glass	7,794	155
RDX-7L-100-277-5K-30-H2-CP-EM01	50	5000K	80	30	Clear PC	7,397	147
RDX-9L-100-277-5K-T5-H2-CG-EM01	65	5000K	80	T5	Clear Glass	9,873	151
RDX-9L-100-277-5K-T5-H2-DG-EM01	65	5000K	80	T5	Diffuse Glass	8,366	128
RDX-9L-100-277-5K-T5-H2-CP-EM01	65	5000K	80	T5	Clear PC	9,327	143
RDX-9L-100-277-5K-T5-H2-DP-EM01	65	5000K	80	T5	Diffuse PC	7,556	116
RDX-9L-100-277-5K-T5-H2-DLG-EM01	65	5000K	80	T5	Drop Lens Glass	9,628	147
RDX-9L-100-277-5K-T3-H2-CG-EM01	65	5000K	80	T3	Clear Glass	9,495	145
RDX-9L-100-277-5K-T3-H2-CP-EM01	65	5000K	80	T3	Clear PC	8,875	136
RDX-9L-100-277-5K-T1-H2-CG-EM01	65	5000K	80	T1	Clear Glass	9,090	139
RDX-9L-100-277-5K-T1-H2-CP-EM01	65	5000K	80	T1	Clear PC	8,470	130
RDX-9L-100-277-5K-60-H2-CG-EM01	65	5000K	80	60	Clear Glass	10,227	156
RDX-9L-100-277-5K-60-H2-CP-EM01	65	5000K	80	60	Clear PC	9,640	147
RDX-9L-100-277-5K-30-H2-CG-EM01	65	5000K	80	30	Clear Glass	10,183	156
RDX-9L-100-277-5K-30-H2-CP-EM01	65	5000K	80	30	Clear PC	9,646	147

This table only lists part of the model lumen parameters, if you need other model parameters, please contact our sales.

Note: LXX# = nominal lumens. Verify lumen package before ordering.

PN	Wattage (W)	CCT	CRI	Beam	Lens	Lumen Output (Lm)	Efficiency (Lm/W)
<b>Voltage 100-277VAC 80 CRI • STANDARD</b>							
RDX-12L-100-277-5K-T5-H2-CG-EM01	85	5000K	80	T5	Clear Glass	12,957	150
RDX-12L-100-277-5K-T5-H2-DG-EM01	85	5000K	80	T5	Diffuse Glass	10,957	127
RDX-12L-100-277-5K-T5-H2-CP-EM01	85	5000K	80	T5	Clear PC	12,235	142
RDX-12L-100-277-5K-T5-H2-DP-EM01	85	5000K	80	T5	Diffuse PC	9,914	115
RDX-12L-100-277-5K-T5-H2-DLG-EM01	85	5000K	80	T5	Drop Lens Glass	12,603	146
RDX-12L-100-277-5K-T3-H2-CG-EM01	85	5000K	80	T3	Clear Glass	12,391	145
RDX-12L-100-277-5K-T3-H2-CP-EM01	85	5000K	80	T3	Clear PC	11,549	135
RDX-12L-100-277-5K-T1-H2-CG-EM01	85	5000K	80	T1	Clear Glass	11,821	139
RDX-12L-100-277-5K-T1-H2-CP-EM01	85	5000K	80	T1	Clear PC	11,044	129
RDX-12L-100-277-5K-60-H2-CG-EM01	85	5000K	80	60	Clear Glass	13,358	156
RDX-12L-100-277-5K-60-H2-CP-EM01	85	5000K	80	60	Clear PC	12,573	147
RDX-12L-100-277-5K-30-H2-CG-EM01	85	5000K	80	30	Clear Glass	13,219	155
RDX-12L-100-277-5K-30-H2-CP-EM01	85	5000K	80	30	Clear PC	12,543	147
RDX-18L-100-277-5K-T5-H2-CG-EM01	130	5000K	80	T5	Clear Glass	19,714	151
RDX-18L-100-277-5K-T5-H2-DG-EM01	130	5000K	80	T5	Diffuse Glass	16,699	128
RDX-18L-100-277-5K-T5-H2-CP-EM01	130	5000K	80	T5	Clear PC	18,630	143
RDX-18L-100-277-5K-T5-H2-DP-EM01	130	5000K	80	T5	Diffuse PC	15,089	116
RDX-18L-100-277-5K-T5-H2-DLG-EM01	130	5000K	80	T5	Drop Lens Glass	18,912	145
RDX-18L-100-277-5K-T3-H2-CG-EM01	130	5000K	80	T3	Clear Glass	18,825	144
RDX-18L-100-277-5K-T3-H2-CP-EM01	130	5000K	80	T3	Clear PC	17,634	135
RDX-18L-100-277-5K-T1-H2-CG-EM01	130	5000K	80	T1	Clear Glass	18,233	140
RDX-18L-100-277-5K-T1-H2-CP-EM01	130	5000K	80	T1	Clear PC	16,930	130
RDX-18L-100-277-5K-60-H2-CG-EM01	130	5000K	80	60	Clear Glass	20,767	160
RDX-18L-100-277-5K-60-H2-CP-EM01	130	5000K	80	60	Clear PC	19,623	151
RDX-18L-100-277-5K-30-H2-CG-EM01	130	5000K	80	30	Clear Glass	20,654	159
RDX-18L-100-277-5K-30-H2-CP-EM01	130	5000K	80	30	Clear PC	19,535	150
RDX-22L-100-277-5K-T5-H2-CG-EM01	160	5000K	80	T5	Clear Glass	23,551	147
RDX-22L-100-277-5K-T5-H2-DG-EM01	160	5000K	80	T5	Diffuse Glass	19,897	124
RDX-22L-100-277-5K-T5-H2-CP-EM01	160	5000K	80	T5	Clear PC	22,282	139
RDX-22L-100-277-5K-T5-H2-DP-EM01	160	5000K	80	T5	Diffuse PC	18,073	113
RDX-22L-100-277-5K-T5-H2-DLG-EM01	160	5000K	80	T5	Drop Lens Glass	22,653	141
RDX-22L-100-277-5K-T3-H2-CG-EM01	160	5000K	80	T3	Clear Glass	22,739	141
RDX-22L-100-277-5K-T3-H2-CP-EM01	160	5000K	80	T3	Clear PC	21,168	132
RDX-22L-100-277-5K-T1-H2-CG-EM01	160	5000K	80	T1	Clear Glass	22,010	136
RDX-22L-100-277-5K-T1-H2-CP-EM01	160	5000K	80	T1	Clear PC	20,418	127
RDX-22L-100-277-5K-60-H2-CG-EM01	160	5000K	80	60	Clear Glass	25,132	156
RDX-22L-100-277-5K-60-H2-CP-EM01	160	5000K	80	60	Clear PC	23,650	147
RDX-22L-100-277-5K-30-H2-CG-EM01	160	5000K	80	30	Clear Glass	24,800	154
RDX-22L-100-277-5K-30-H2-CP-EM01	160	5000K	80	30	Clear PC	23,578	146

This table only lists part of the model lumen parameters, if you need other model parameters, please contact our sales.  
 Note: LXX# = nominal lumens. Verify lumen package before ordering.

# LUMEN TABLE

PN	Wattage (W)	CCT	CRI	Beam	Lens	Lumen Output (Lm)	Efficiency (Lm/W)
<b>Voltage 100-277VAC 80 CRI • STANDARD</b>							
RDX-28L-100-277-5K-T5-H2-CG-EM01	200	5000K	80	T5	Clear Glass	28,654	142
RDX-28L-100-277-5K-T5-H2-DG-EM01	200	5000K	80	T5	Diffuse Glass	24,295	121
RDX-28L-100-277-5K-T5-H2-CP-EM01	200	5000K	80	T5	Clear PC	27,329	136
RDX-28L-100-277-5K-T5-H2-DP-EM01	200	5000K	80	T5	Diffuse PC	22,013	109
RDX-28L-100-277-5K-T5-H2-DLG-EM01	200	5000K	80	T5	Drop Lens Glass	27,465	137
RDX-28L-100-277-5K-T3-H2-CG-EM01	200	5000K	80	T3	Clear Glass	27,700	136
RDX-28L-100-277-5K-T3-H2-CP-EM01	200	5000K	80	T3	Clear PC	26,000	128
RDX-28L-100-277-5K-T1-H2-CG-EM01	200	5000K	80	T1	Clear Glass	26,862	132
RDX-28L-100-277-5K-T1-H2-CP-EM01	200	5000K	80	T1	Clear PC	25,088	123
RDX-28L-100-277-5K-60-H2-CG-EM01	200	5000K	80	60	Clear Glass	30,157	150
RDX-28L-100-277-5K-60-H2-CP-EM01	200	5000K	80	60	Clear PC	28,587	142
RDX-28L-100-277-5K-30-H2-CG-EM01	200	5000K	80	30	Clear Glass	30,120	149
RDX-28L-100-277-5K-30-H2-CP-EM01	200	5000K	80	30	Clear PC	28,442	141

## Emergency Mode: Voltage 100-277VAC 80 CRI • STANDARD

RDX*-100-277-5K-T5-H2-CG-EM01	15	5000K	80	T5	Clear Glass	3,139	209
RDX*-100-277-5K-T5-H2-CG-EM02	7.5	5000K	80	T5	Clear Glass	1,725	230
RDX*-100-277-5K-T5-H2-DG-EM01	15	5000K	80	T5	Diffuse Glass	2,675	178
RDX*-100-277-5K-T5-H2-DG-EM02	7.5	5000K	80	T5	Diffuse Glass	1,466	195
RDX*-100-277-5K-T5-H2-CP-EM01	15	5000K	80	T5	Clear PC	2,976	198
RDX*-100-277-5K-T5-H2-CP-EM02	7.5	5000K	80	T5	Clear PC	1,632	218
RDX*-100-277-5K-T5-H2-DP-EM01	15	5000K	80	T5	Diffuse PC	2,407	160
RDX*-100-277-5K-T5-H2-DP-EM02	7.5	5000K	80	T5	Diffuse PC	1,322	176
RDX*-100-277-5K-T5-H2-DLG-EM01	15	5000K	80	T5	Drop Lens Glass	3,070	205
RDX*-100-277-5K-T5-H2-DLG-EM02	7.5	5000K	80	T5	Drop Lens Glass	1,682	224
RDX*-100-277-5K-T3-H2-CG-EM01	15	5000K	80	T3	Clear Glass	3,041	203
RDX*-100-277-5K-T3-H2-CG-EM02	7.5	5000K	80	T3	Clear Glass	1,660	221
RDX*-100-277-5K-T3-H2-CP-EM01	15	5000K	80	T3	Clear PC	2,834	189
RDX*-100-277-5K-T3-H2-CP-EM02	7.5	5000K	80	T3	Clear PC	1,553	207
RDX*-100-277-5K-T1-H2-CG-EM01	15	5000K	80	T1	Clear Glass	2,913	194
RDX*-100-277-5K-T1-H2-CG-EM02	7.5	5000K	80	T1	Clear Glass	1,595	213
RDX*-100-277-5K-T1-H2-CP-EM01	15	5000K	80	T1	Clear PC	2,720	181
RDX*-100-277-5K-T1-H2-CP-EM02	7.5	5000K	80	T1	Clear PC	1,487	198
RDX*-100-277-5K-60-H2-CG-EM01	15	5000K	80	60	Clear Glass	3,272	218
RDX*-100-277-5K-60-H2-CG-EM02	7.5	5000K	80	60	Clear Glass	1,796	239
RDX*-100-277-5K-60-H2-CP-EM01	15	5000K	80	60	Clear PC	3,088	206
RDX*-100-277-5K-60-H2-CP-EM02	7.5	5000K	80	60	Clear PC	1,695	226
RDX*-100-277-5K-30-H2-CG-EM01	15	5000K	80	30	Clear Glass	3,244	216
RDX*-100-277-5K-30-H2-CG-EM02	7.5	5000K	80	30	Clear Glass	1,782	238
RDX*-100-277-5K-30-H2-CP-EM01	15	5000K	80	30	Clear PC	3,083	206
RDX*-100-277-5K-30-H2-CP-EM02	7.5	5000K	80	30	Clear PC	1,692	226

This table only lists part of the model lumen parameters, if you need other model parameters, please contact our sales.

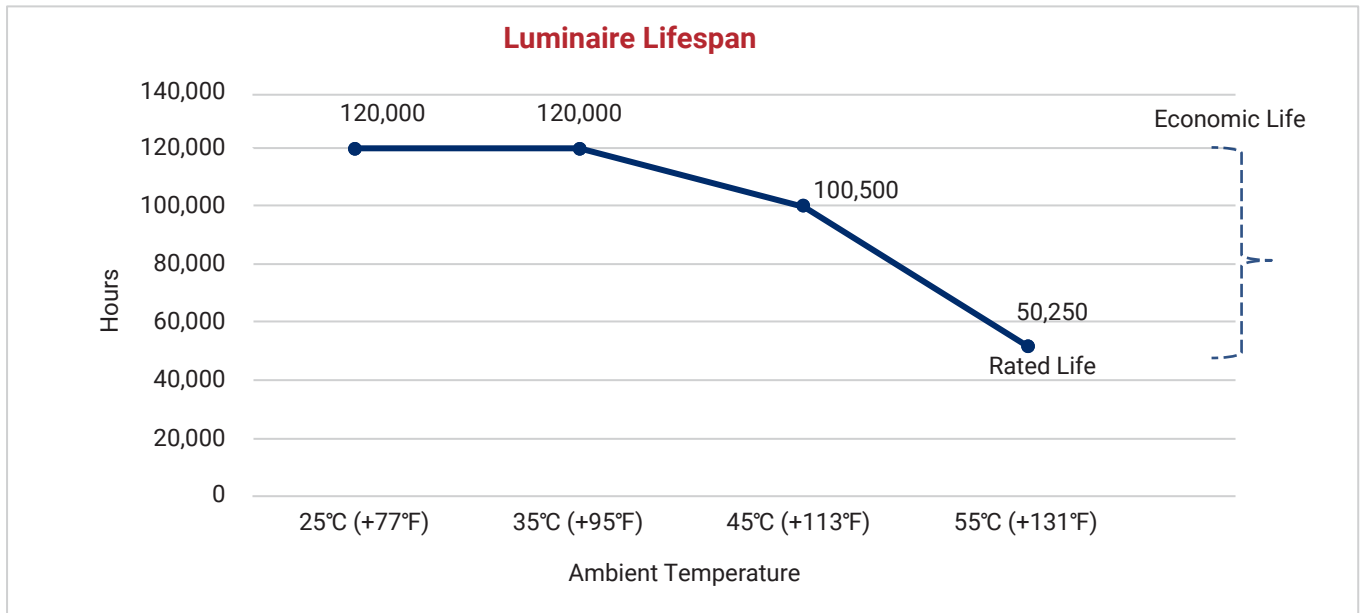
Note: LXX# = nominal lumens. Verify lumen package before ordering.

# LUMEN MAINTENANCE

Ambient \ Hours	0	15,000	30,000	45,000	60,000	75,000	90,000	100,000	150,000
25°C	100%	99%	97%	96%	95%	94%	93%	92%	89%
35°C	100%	99%	97%	96%	95%	94%	93%	92%	89%
45°C	100%	99%	97%	96%	95%	94%	93%	92%	89%
55°C	100%	97%	96%	95%	93%	92%	91%	90%	87%

# LUMINAIRE LIFESPAN

Ambient Temperature	Luminaire Lifespan (Hours)	Rated Service Life - Years (24/7 Operation)	Rated Service Life - Years (12/7 Operation)
25°C (+77°F)	120,000	14	27
35°C (+95°F)	120,000	14	27
45°C (+113°F)	100,500	11	23
55°C (+131°F)	50,250	6	11



Information shown for reference only and may vary by configuration.

## A DIRECT RETROFIT FROM HID TO LED

The RDX EM series LED is easy to retrofit in the same configuration as your existing HID luminaires. For example, a 200-watt Round Max (RDX-28L-EM) delivers virtually the same illumination as its equivalent 750-watt Metal Halide luminaire while providing an 80% reduction in energy costs and up to 145,000 hours of continuous


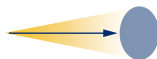





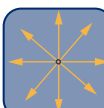
MODELS	Lumen Output (Lm)	MH Equivalent (W)	HPS Equivalent (W)
RDX-5L-EM	6,039	150	150
RDX-7L-EM	7,580	175	225
RDX-9L-EM	9,873	200	250
RDX-12L-EM	12,957	300	360
RDX-18L-EM	19,714	450	400
RDX-22L-EM	23,551	450	600
RDX-28L-EM	28,654	750	600

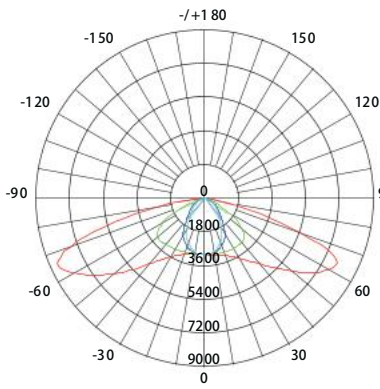
## THE RIGHT BEAM PATTERN FOR YOUR APPLICATION

RSL optic package is engineered to deliver maximum footcandles efficiently where you need them, without wasted light or overspill.

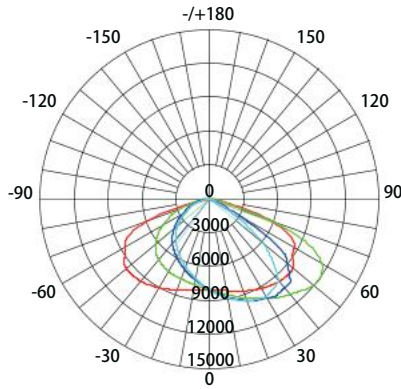
RSL offers complimentary lighting design services for our products using industry-leading AGI32 software, tailored for projects of all sizes in harsh and hazardous locations. We assist you in determining the number of fixtures needed, the types of lights to use, their optimal placement, and how to maximize energy savings—all within budget.

Simply fill out the form (<https://www.redskylighting.com/lighting-design>) with a few key details, request a layout, and we'll bring your ideas to life within 2-5 business days.

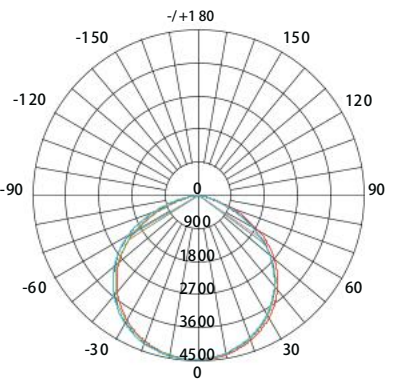
Beam	NEMA/IESNA Type	Beam Description	Beam Projection Distance
30°	NEMA 3	Medium Narrow	
60°	NEMA 4	Medium	
90°	NEMA 5	Medium Wide	
120°	NEMA 6	Wide	
T1	Type I	Asymmetric distributions, well suited for narrow areas, such as Conveyor belts, Aisleways, Catwalks, Loading docks and Tunnels.	
T2	Type II	Asymmetric distributions, well suited for narrow areas, such as roadways, paths and driveways.	
T3	Type III	Asymmetric distributions, well suited for site / area perimeters, wide roadways, and open areas.	
T5	NEMA 7 Type V (Square)	Very Wide: symmetrical pattern with excellent uniformity for large, open areas.	



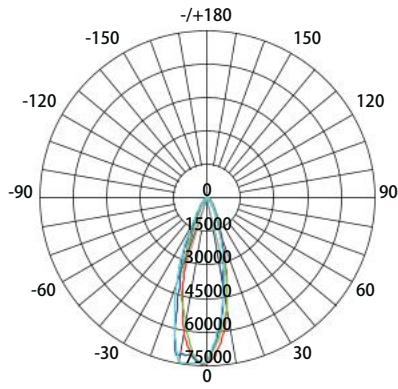
Type I



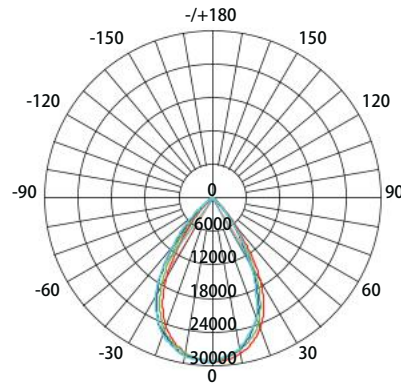
Type III



Type V



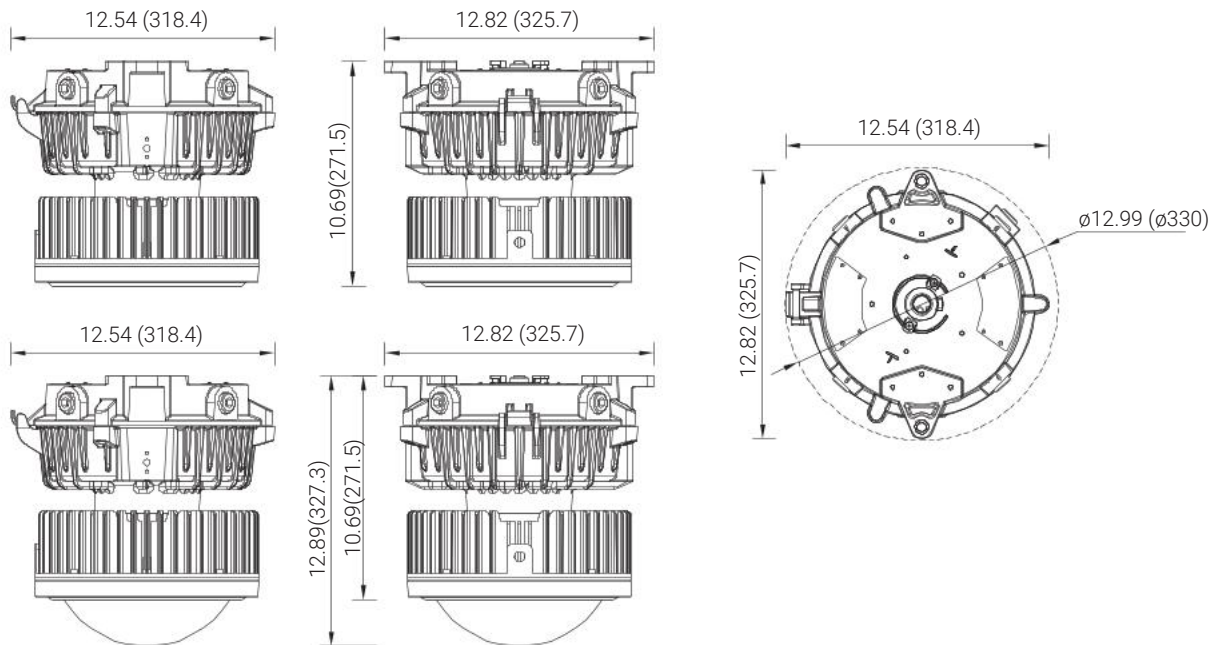
30°



60°

## DIMENSIONS

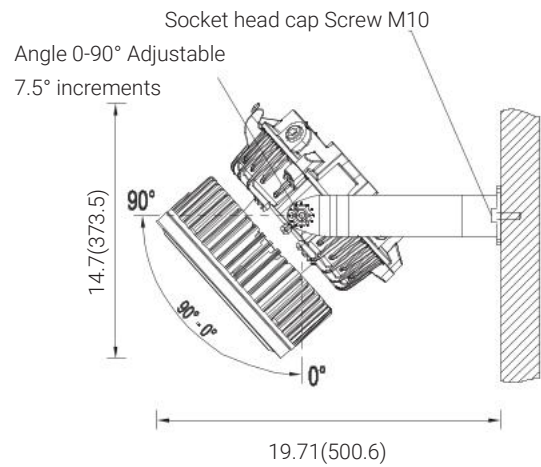
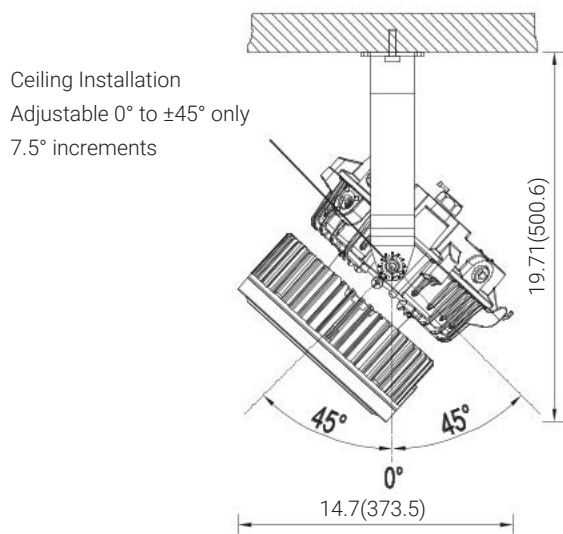
unit: in (mm)



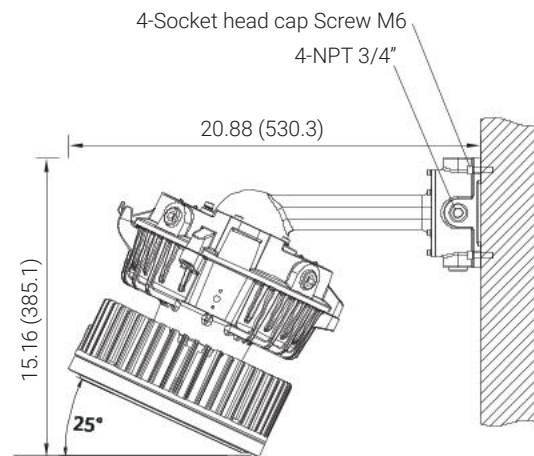
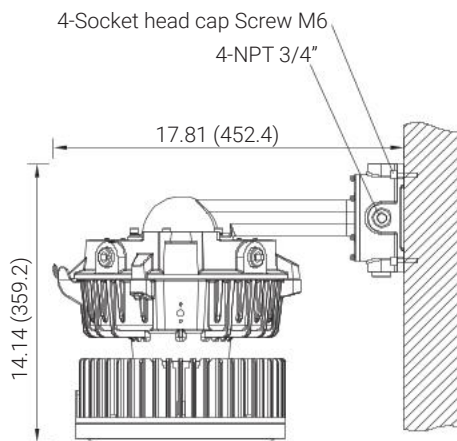
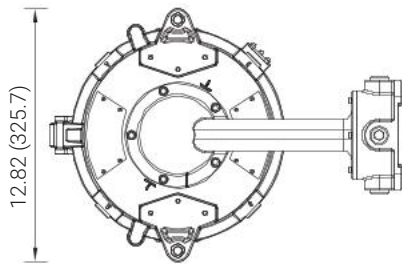
Pendant/Ceiling

# DIMENSIONS

unit: in (mm)



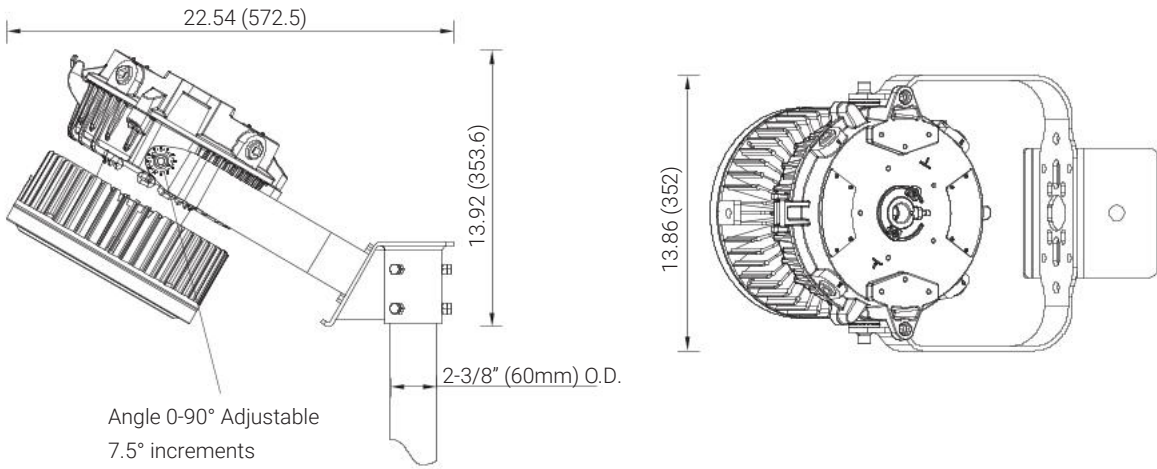
Yoke



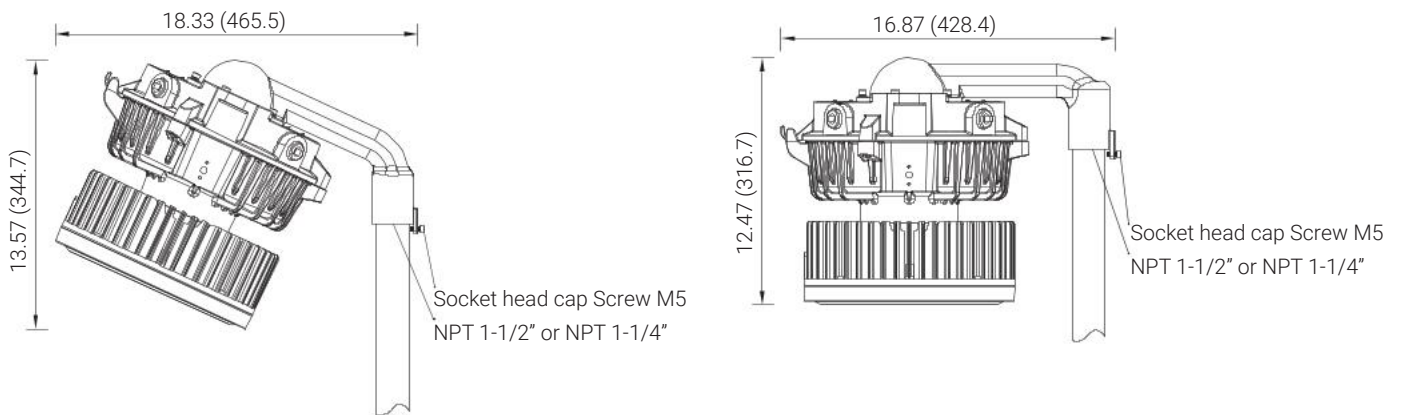
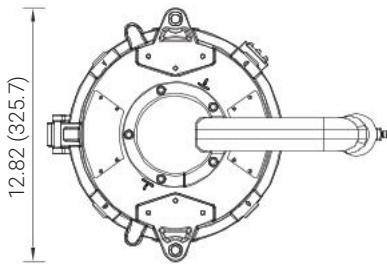
Wall

# DIMENSIONS

unit: in (mm)

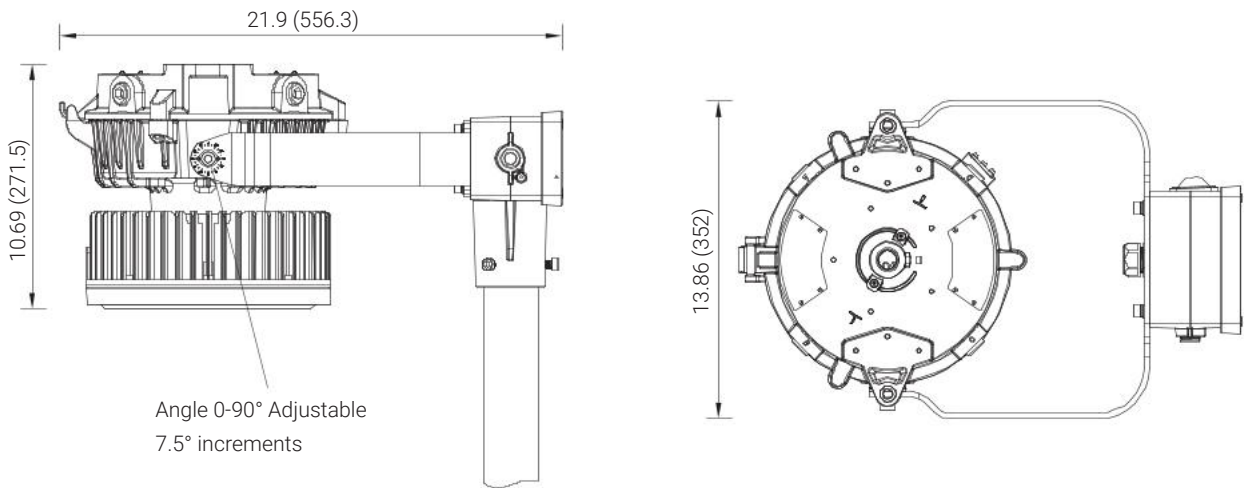
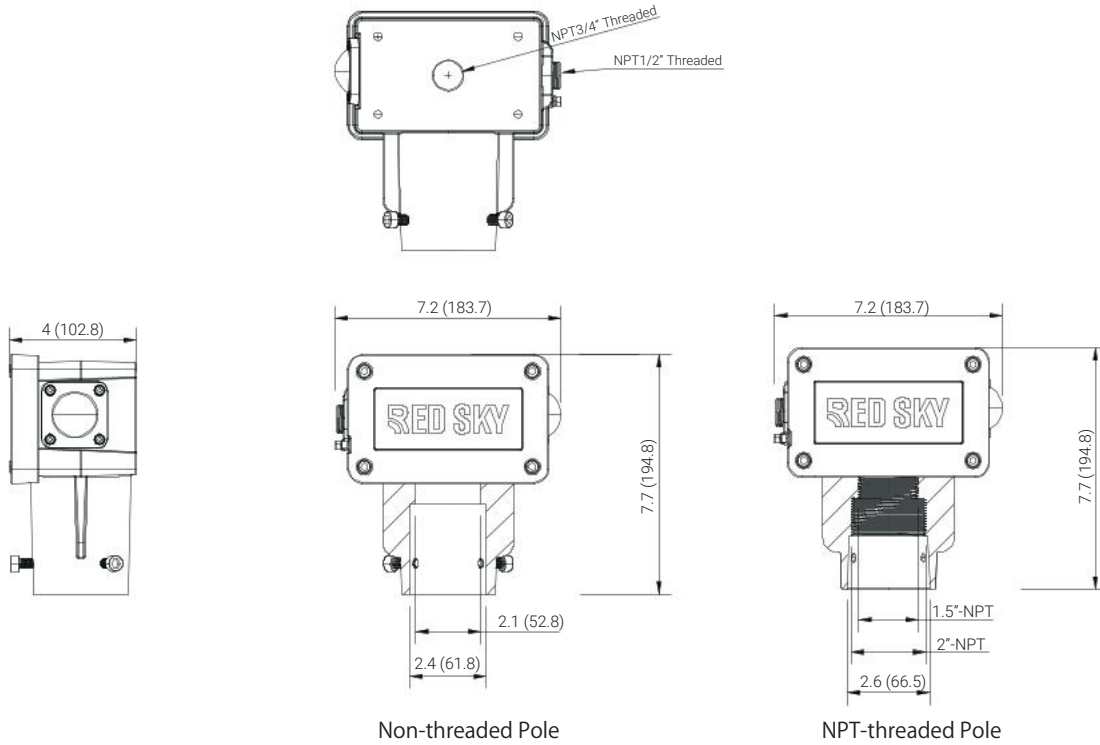


**Stanchion slip fitter  
(Straight Pole)**



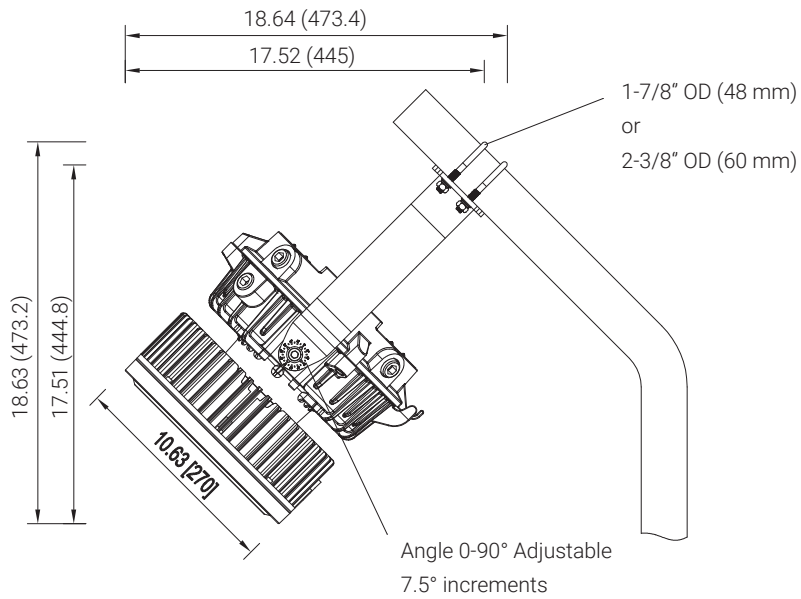
**Stanchion**

unit: in (mm)



**Slip-fit Junction Box**

unit: in (mm)

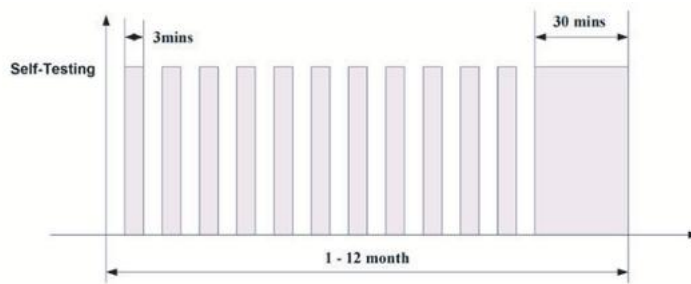


**Pole**

# EMERGENCY TEST FUNCTION

## Self-Testing function

The luminaire incorporates a Self-Testing feature that performs a 3-minute monthly self-test every 30 days and a 30-minute annual self-test every 12 months.



During the self-test, the luminaire switches the luminaire to emergency mode and reduces its light output to the emergency level. The test assesses whether the emergency function is operating reliably; if a fault is detected, it is signaled by distinct indicator states, allowing maintenance personnel to identify the fault promptly.

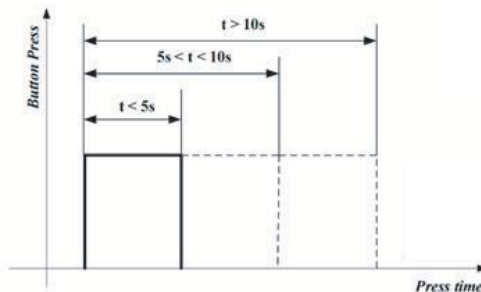
The indicator states are as follows:

INDICATOR	STATUS
Green on	Battery full
Green slow flashing (3s ON / 3s OFF)	Battery charging
Red on	Discharging
Red slow flashing (3s ON / 3s OFF)	Self-testing process
Red / Green fast flashing (1s Red / 1s Green)	Fault
Red fast flashing (1s ON / 1s OFF)	Load fault (Vlamp out of range)
Red flashing (1s ON / 5s OFF)	Charger fault
Red flashing (5s ON / 1s OFF)	Battery fault



## Test button function

Maintenance engineers can also use the Test Button to manually enter Test, Monthly Test, or Annual Test mode. Which mode is activated depends on the duration the Test Button is held; the operating instructions for the Test Button are as follows.

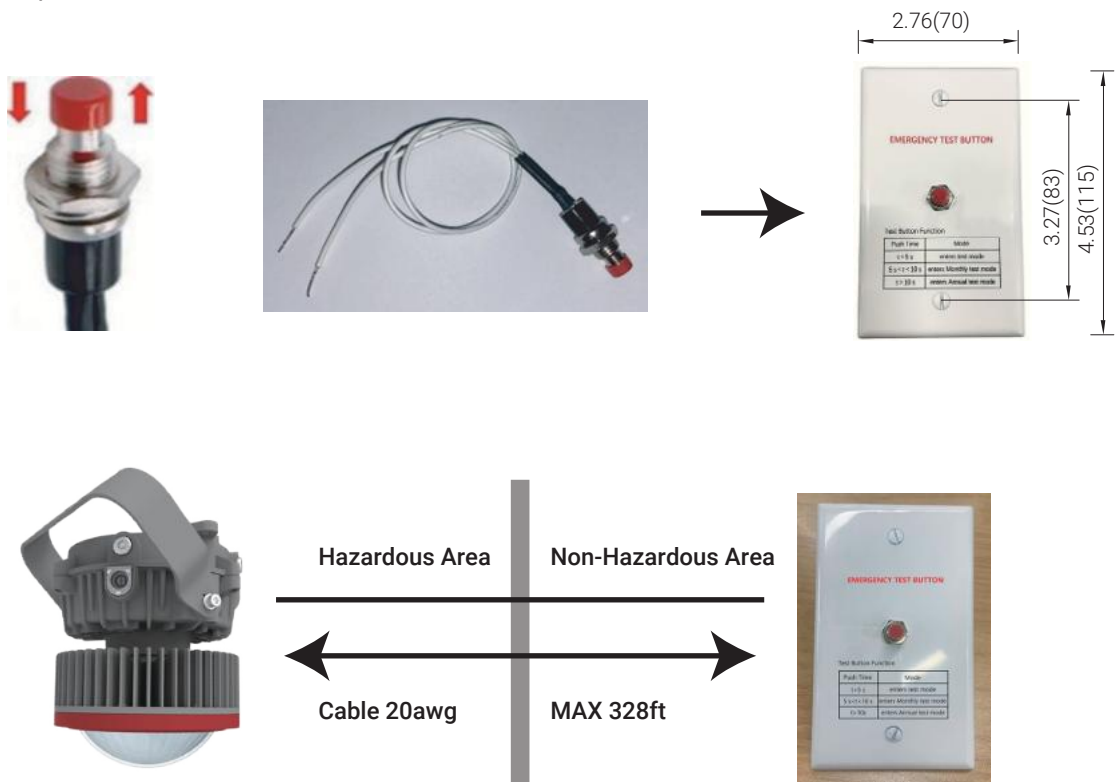


# EMERGENCY TEST FUNCTION

- a) Test Button press time  $t < 5$  s: enters Test mode; Test mode is exited as soon as the button is released.
- b) Test Button press time  $5 \text{ s} < t < 10$  s: enters Monthly Test mode. Once the manual monthly test has started, the complete monthly-test sequence will run to the end and the monthly-test counter will increment by 1. If the button is pressed again while the sequence is running, the monthly test aborts and the counter is not incremented.
- c) Test Button press time  $t > 10$  s: enters Annual Test mode. Once the annual test has started, the entire annual-test sequence will finish and the unit will then return to the state of the first monthly test. If the button is pressed while the annual test is running, the annual test aborts and the system waits for the next scheduled annual test.

During the test, if a fault is detected, it will be indicated by the same distinct indicator states described in the Self-Testing section.

The RDX-EM series shipped by RSL to customers is supplied as standard with a test-button (push-button) & Panel. This button & Panel are packed loose in the accessory bag and is not pre-installed inside the luminaire. The installation instructions clearly state that the test button may be used only in non-hazardous areas; its appearance is shown in the photo.



**Note: If the installer uses the Test Button supplied with the luminaire accessories, the button must be routed to a Non-Hazardous Area. Use 2\*20 AWG or thicker cable; the maximum lead length is 328 ft (100 m). The cable needs to be provided by the customer additionally.**

The panel is ETL- or UL-listed; dimensions are as shown in the figure above and comply with current mainstream panel standards.

# HAZARDOUS LOCATION LIGHTING BASICS

## Atmosphere Groups

## Temperature Classification

Substance	Hazard Class	Division Groups	Zone Groups	Max. Surface Temperatures	NEC®500 CEC®	NEC®505/IEC-Group II
Acetylene	Class I Flammable Gases	Group A	IIC	450°C(842°F)	T1	T1
Hydrogen		Group B	IIC	300°C(572°F)	T2	
Ethylene		Group C	IIB	280°C(536°F)	T2A	T2
Propane		Group D	IIA	260°C(500°F)	T2B	
Methane		Group D	IIA <sup>2</sup>	230°C(446°F)	T2C	
Combustible Metal Dusts	Class II Combustible Dusts	Group E <sup>1</sup>	IIIC <sup>3</sup>	215°C(419°F)	T2D	T3
Combustible Carbonaceous Dust		Group F	IIIB <sup>3</sup>	200°C(392°F)	T3	
Combustible Dusts not in Group E or F (Flour, Grain, Wood, Plastics, Chemicals)		Group G	IIIB <sup>3</sup>	180°C(256°F)	T3A	
Combustible Fibers and Flyings				Class III Fibers and Flyings	Not Applicable	
				160°C(320°F)	T3C	
				135°C(275°F)	T4	T4
				120°C(248°F)	T4A	
				100°C(212°F)	T5	T5
				85°C(185°F)	T6	T6

Note 1: Group E is applicable to Class II, Division 1 only.  
 Note 2: Methane is a Group IIA Gas for non-mining applications.  
 Note 3: Group IIIA, IIIB and IIIC have not been adopted by the Canadian Electrical Code.

## Classification of Divisions and Zones

Hazard Level	Division Scheme	Zone Scheme	Definitions
Continuous Hazard	Division 1	Zone 0 / Zone 20	A place in which an explosive atmosphere is continually present
Intermittent Hazard		Zone 1 / Zone 21	A place in which an explosive atmosphere is likely to occur in normal operation
Hazard Under Abnormal Conditions	Division 2	Zone 2 / Zone 22	A place in which an explosive atmosphere is not likely to occur in normal operation, but may occur for short periods

## IP Codes

1st No.	Solid Objects
0	No protection
1	Objects greater than 50mm
2	Objects greater than 12.5mm
3	Objects greater than 2.5mm
4	Objects greater than 1mm
5	Dust protected
6	Dust proof
2nd No.	Liquids
0	No protection
1	Vertically dripping
2	Dripping up to 15°
3	Limited spraying
4	Splashing from all directions
5	Hosing jets from all directions
6	Strong hosing jets from all directions
7	Temporary immersion
8	Continuous immersion
9	Steam-jet cleaning

## IK Ratings

IK Code	Level of Protection Achieved
IK00	Not protected
IK01	Protected against 0.14 joules impact
IK02	Protected against 0.2 joules impact
IK03	Protected against 0.35 joules impact
IK04	Protected against 0.5 joules impact
IK05	Protected against 0.7 joules impact
IK06	Protected against 1 joules impact
IK07	Protected against 2 joules impact
IK08	Protected against 5 joules impact
IK09	Protected against 10 joules impact
IK10	Protected against 20 joules impact



**+1 (262) 456-5002**  
contact@redskylighting.com  
www.redskylighting.com

**RED SKY LIGHTING LLC**  
9370 Pittsburgh Ave.  
Rancho Cucamonga, CA 91730, USA

**Disclaimer**

All product information is subject to change without notice.  
Please contact Red Sky Lighting or your sales representative for the most up-to-date specifications.

Rev.03 04/26