



# MODULAR MAX HARSH SERIES

LED LIGHTING FOR HARSH INDUSTRIAL ENVIRONMENTS

FLOOD & HIGHBAY

reddot winner 2024  
lighting design



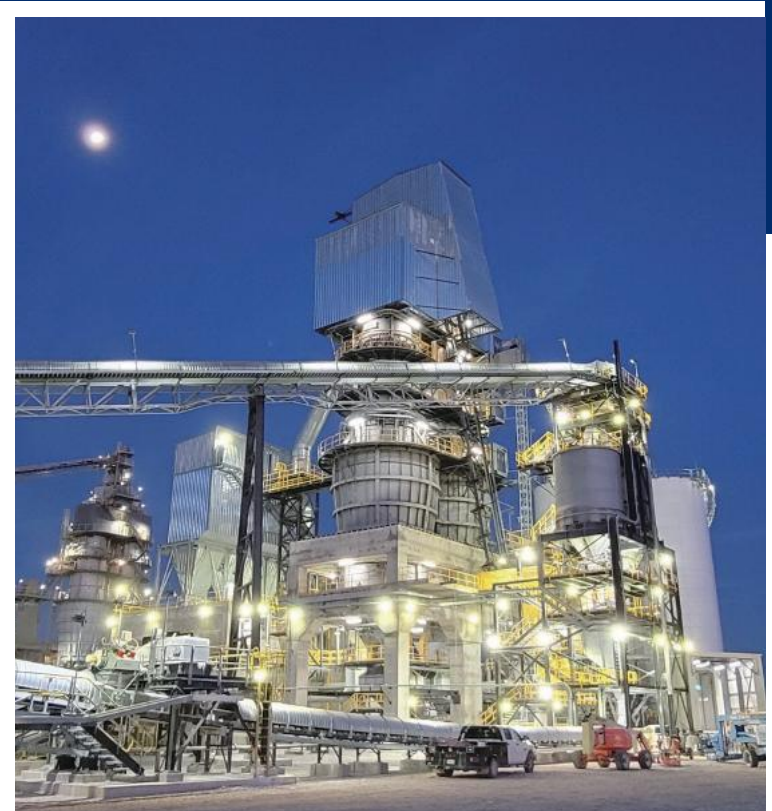
Reliable. Durable. Efficient.  
15,000 to 66,000 lumen models

**RED SKY**  
SERIOUSLY SAFE LIGHTS™

## ABOUT RED SKY LIGHTING

# PIONEERING INDUSTRIAL ILLUMINATION FOR HARSH & HAZARDOUS CONDITIONS

- A leading manufacturer of premium LED lights for demanding work conditions
- Headquartered in California, products assembled in the USA
- Servicing global clients across 4 continents in metal processing, oil & gas, marine, manufacturing
- Renowned for quality, dependability, client care and uncompromising safety standards



## WHY CHOOSE RED SKY

### 🔌 SERIOUSLY SAFE LIGHTS

- Rigorously tested in our professional labs
- Surpassing industry certifications and safety protocols
- Crafted with highest grade components for maximum durability

### 🔌 TOP-NOTCH SERVICES

- Team of experts for seamless support
- Energy audit services, lighting simulation services
- Hassle-free return policy and management

### 🔌 FAST DELIVERY

- Majority of orders delivered within 14 days
- Same day shipping for products in stock
- Real-time order tracking for full transparency

### 🔌 SUSTAINABLE SOLUTIONS

- High luminous efficacy LEDs for energy savings
- Conscious product design
- Recyclable materials for products and packaging



# MODULAR MAX HARSH SERIES



The Modular Max Harsh Series packs powerful performance with a high lumen output of up to 66,000 lumens and excellent luminous efficacy of up to 166 lm/W. This is achieved while maintaining a lightweight and compact design, making it over 25% lighter than comparable floodlights.

Its craftsmanship and rigorous testing ensure optimal performance under extreme conditions, maintaining high output from -49°F to +149°F (-45°C to +65°C). An outstanding thermal design and robust quality provide durable operation.

Versatile, intelligent design allows equal use as a floodlight or high bay solution. Unique product structure design simplifies installation and manufacturing. The light housing utilizes recyclable metal alloys, supporting sustainability. Additional accessories reduce light pollution. Red Sky Lighting is committed to responsible, efficient, and eco-friendly solutions. The Modular Max Harsh Series delivers unprecedented performance for demanding industrial applications.



## FEATURES



- ↪ **Compact and Light-Weight Design**
- ↪ **Offering 15,000-66,000 Lm Wide Range Selection**
- ↪ **Safe and Reliable Heat Transfer, Can be Used in High/Low Ambient Temperatures**
  - 49°F to +149°F for 15,000 - 30,000 Lm
  - 49°F to +131°F for 37,000 - 66,000 Lm
- ↪ **Easy Installation**  
Easy Wiring, More Room for Wiring
- ↪ **Warranty**  
Standard: 7 Years  
Extended: 10 years

## RATINGS

UL 1598 Wet Locations  
UL 1598A Marine Outside Type (Salt Water)  
IP66/67, NEMA 4X  
IK08 (Glass)  
IK10 (Glass, Special ordering), IK10 (PC)  
3G Vibration (ANSI C136.31)  
Salt Spray 720H (ASTM B117)

## CERTIFICATIONS

UL1598  
UL1598A  
CSA C22.2 No. 250.0  
DLC Premium\*  
FCC 47 CFR Part 15 Subpart B

\* Not all product variations listed on this page are DLC qualified. Visit [www.designlights.org/search](http://www.designlights.org/search) to confirm qualification.

# TECHNICAL PARAMETERS

Specification	MDX-15L	MDX-20L	MDX-30L	MDX-40L	MDX-50L	MDX-60L	MDX-70L
<b>Electrical Parameters</b>							
Power	90W	120W	190W	260W	310W	380W	440W
Rated Input Current(120V AC)	0.833A	1.111A	1.759A	2.407A	2.870A	3.519A	4.074A
Rated Input Current(277V AC)	0.361A	0.481A	0.762A	1.043A	1.244A	1.524A	1.765A
Rated Input Current(347V AC)	0.288A	0.384A	0.608A	0.833A	0.993A	1.217A	1.409A
Rated Input Current(480V AC)	0.208A	0.278A	0.440A	0.602A	0.718A	0.880A	1.019A
Voltage/Frequency	100-277V AC, 347-480V AC 50/60Hz						
Power Factor	>0.90						
THD	<20%						
L70	230,000 hrs@149°F				230,000 hrs@131°F		
Dimming	0-10V, Range 10% - 100%						
Surge Protection	10KV						
Supply Wire	12-18AWG, Rated 90°C min					12-17AWG, Rated 90°C min	
Warranty	Standard: 7 Years, Extended: 10 years						
<b>Optical Parameters</b>							
Lumen Output*	15,074Lm	19,854Lm	29,148Lm	37,730Lm	47,974Lm	59,028Lm	66,313Lm
Lumen Efficacy*	166Lm/W						
Available Beam Angle	30° / 60° / 90° / 120° / T2 / T3 / T5						
Correlated Color Temperature (CCT)	2700K / 4000K / 5000K						
Color Rendering Index (CRI)	80 CRI						
<b>Mechanical Parameters</b>							
Housing Material	Copper-free (< 0.4%) die-cast aluminum						
Hardware	Stainless steel 316						
Lens Material	Tempered Glass or Polycarbonate						
Mounting Options	Pendant, Straight Yoke, Angled Yoke, Chain, Stanchion, Hook						
Product Weight	21.8lbs / 9.9kg				36.3lbs / 16.5kg		
Package Weight	23.9lbs / 10.9kg				40.1lbs / 18.2kg		
Cable Entry	(5) 3/4" NPT**						
Product Dimensions(L×W×H)	14.1×9.8×7.4 in (357×250×189 mm)				9.9×14.1×7.4 in (505×357×189 mm)		
Package Dimensions(L×W×H)	19.7×13.4×11.8 in (500×340×300 mm)				23.6×19.7×11.8 in (600×500×300 mm)		
<b>Environmental Parameters</b>							
Corrosion Resistance	Salt Spray 720 hrs (ASTM B117)						
Vibration Resistance	3G (ANSI C136.31)***						
Ambient Operating Temperature	-49°F ~ +149°F (-45°C ~ 65°C)				-49°F ~ +131°F (-45°C ~ 55°C)		
EPA wind rating (FT2)	1.753 (Yoke), 1.888 (Stanchion)				2.864 (Yoke), 2.999 (Stanchion)		

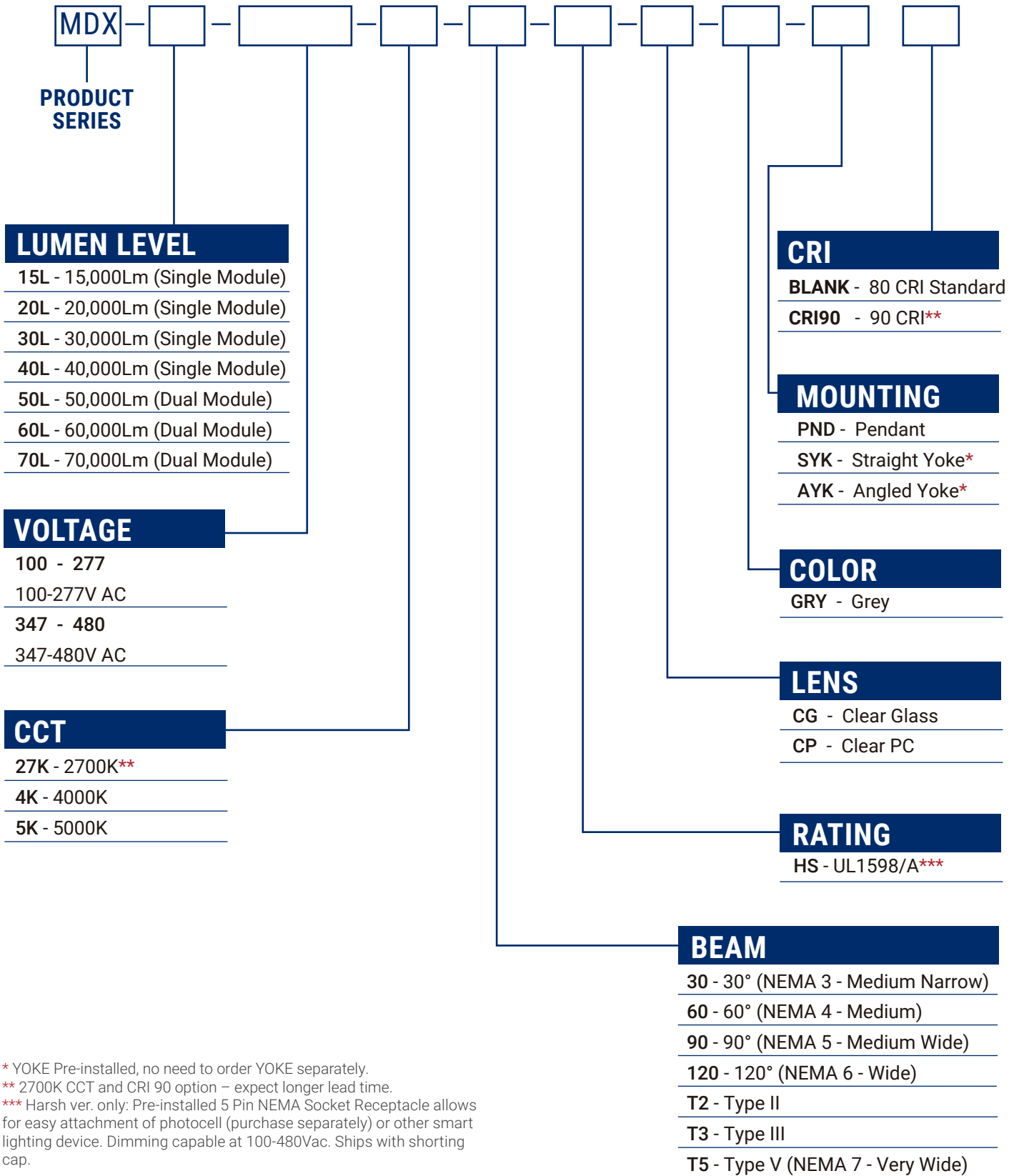
\* Value calculated based on 5000K,80 CRI and Clear glass ,varies to different spec.

\*\* Shipped with four blind plugs; Top entry open for pendant-mount models; Rear entry open for yoke-mount models.

\*\*\* Yoke Mount Only

# ORDERING INFORMATION

**EXAMPLE:** MDX-20L-100-277-5K-120-HS-CG-GRY-AYK



\* YOKE Pre-installed, no need to order YOKE separately.  
 \*\* 2700K CCT and CRI 90 option – expect longer lead time.  
 \*\*\* Harsh ver. only: Pre-installed 5 Pin NEMA Socket Receptacle allows for easy attachment of photocell (purchase separately) or other smart lighting device. Dimming capable at 100-480Vac. Ships with shorting cap.

# MOUNTING ACCESSORIES



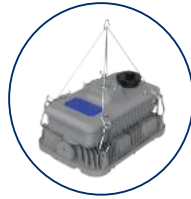
Pendant



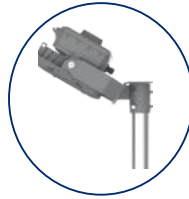
Straight Yoke



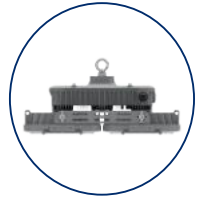
Angled Yoke



Chain



Stanchion



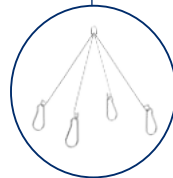
Hook



MDX-S YOKE S  
MDX-S YOKE D



MDX-A YOKE S  
MDX-A YOKE D



CHAIN02



STAN01  
STAN02



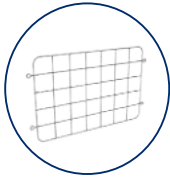
HOOK2

Mounting Method	PN	Description	MPN Code
Straight Yoke	MDX-S YOKE S	Straight Yoke, 0-90 Degrees Adjustable, SUS304, Powder-Coated Grey RAL 7037, only available with 15L/20L/30L/40L	210010043
	MDX-S YOKE D	Straight Yoke, 0-90 Degrees Adjustable, SUS304, Powder-Coated Grey RAL 7037, only available with 50L/60L/70L	210010045
Angled Yoke	MDX-A YOKE S	45-Degree Angled Yoke, 0-90 Degrees Adjustable, SUS304, Powder-Coated Grey RAL 7037, only available with MDX 15L/20L/30L/40L	210010044
	MDX-A YOKE D	45-Degree Angled Yoke, 0-90 Degrees Adjustable, SUS304, Powder-Coated Grey RAL 7037, only available with 50L/60L/70L	210010046
Chain	CHAIN02	Chain Hang Kit, 4pcs×3ft, SUS304	210010100
Stanchion	STAN01*	Slip-Fit Stanchion Mount Kit for $\Phi$ 2 inch (2-3/8 inch OD, 60mm OD) Poles, Non-Threaded, SUS304, Powder-Coated Grey RAL 7037	210010031
	STAN02**	Slip-Fit Stanchion Mount Kit for $\Phi$ 2 inch (2 3/8 inch OD) Poles, Non-threaded, SUS304, Powder-Coated Grey RAL 7037	210010047
Hook	HOOK2	M10 Hook with 3/4 inch NPT Threads, SUS316	210010097

\* Requires A Straight Yoke, only available with 15L/20L/30L/40L

\*\* Requires A Straight Yoke, only available with 50L/60L/70L

## OTHER ACCESSORIES



MDX-WG



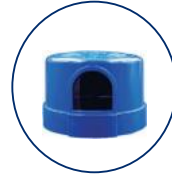
SFCB01



MDX-VISO



DPY02



PCLV/PCHV

PN	Description	MPN Code
MDX-SWG	Wire Guard for Glass Lens	210010101
MDX-DWG	Wire Guard for Glass Lens,only available with 50L/60L/70L	210010102
SFCB01	3ft Safety Cable Kit, SUS304	210010086
MDX-VISO	Visor, AL6061, Powder-Coated Grey RAL 7037	210100103
GLCO-03	3 ft Cord (SOOW 14 AWG x 3, 105 degrees Celsius, 600V) with Cable Gland	210010098
GLCO-10	10 ft Cord (SOOW 14 AWG x 3, 105 degrees Celsius, 600V) with Cable Gland	210010099
DPY02*	Crane Damper Bracket, SUS304, Fixed with M12 Bolts	210010048
PCLV**	Auto dusk-to-dawn photocontrol, 120-277VAC, 50/60Hz, Turn-on: 1.5FC, 1.5:1 Off/On Ratio, 5-20s Turn-off Delay, IP66, NEMA 3-pin, Twistlock, Non-dimmable, -40°C to +70°C (-40°F to +158°F)	103070042
PCHV**	Auto dusk-to-dawn photocontrol, 347-480VAC, 50/60Hz, Turn-on: 1.5FC, 1.5:1 Off/On Ratio, 5-20s Turn-off Delay, IP66, NEMA 3-pin, Twistlock, Non-dimmable, -40°C to +70°C (-40°F to +158°F)	103070043

\* only available with MDX 15L/20L/30L/40L

\*\* UL773-compliant optional accessory, ship uninstalled in the same box as the fixture.



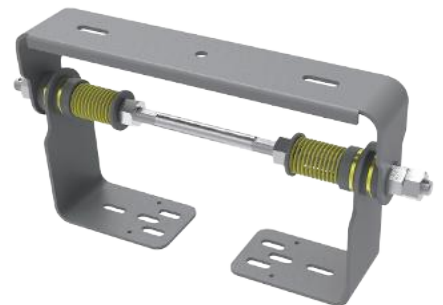
# CRANE DAMPER BRACKET



The **Damper bracket** is specifically engineered to support MDX series floodlights, effectively minimizing vibrations when installed on moving cranes. This bracket ensures that your luminaire remains directed downward, regardless of its position along the crane boom, providing consistent illumination over the intended target area.

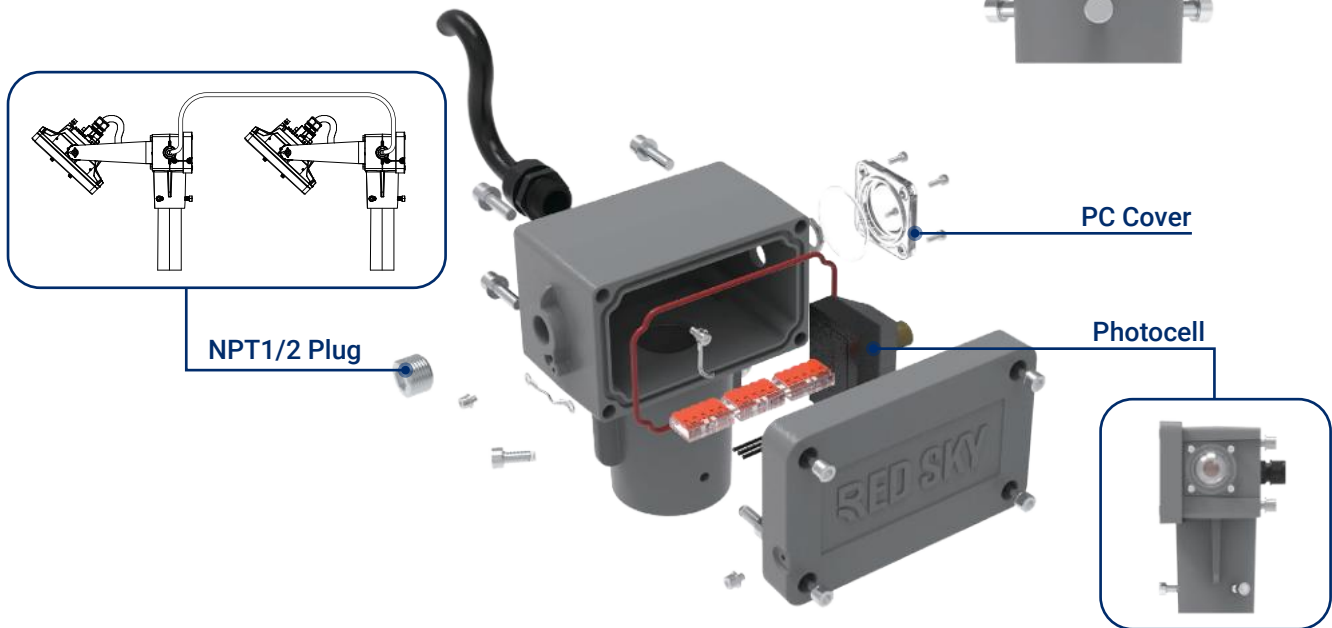
## APPLICATION

- Harbour cranes
- Gantry cranes
- Offshore/Marine cranes



# SLIP-FIT JUNCTION BOX

The **Junction Box** is a multi-piece assembly featuring a copper-free, cast-aluminum housing, front cover, and cable gland. The design accommodates both stanchion installation and other mounting options. It is compatible with 2" (2 3/8" OD) and 1.5" (1.9" OD) poles, both NPT-threaded and non-threaded.



## FEATURES

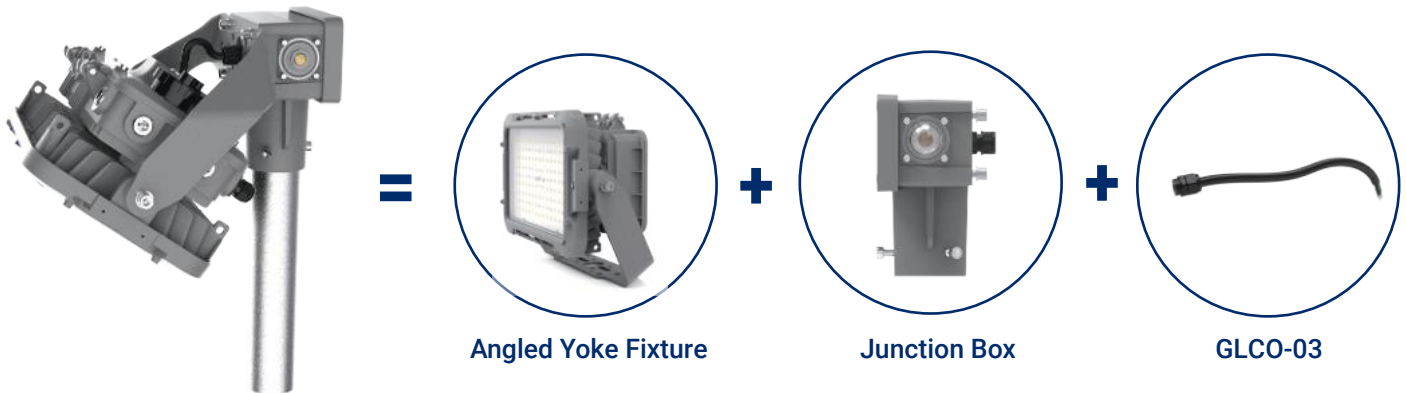
- Weather-resistant finish suitable for wet locations and marine environments
- WAGO 211 lever connectors (5-pole, UL/CSA, 20-10 AWG) for easy, hassle-free wiring
- Wiring access cover with captive screws and a rear hub featuring NPT 1/2" threads for daisy-chain wiring)
- Shock and vibration-resistant design

## CERTIFICATIONS & RATINGS

- UL1598
- UL1598A
- CSA C22.2 NO. 250.0
- UL 1598 Wet Locations
- UL 1598A Marine Outside Type (Salt Water)
- IP66
- IK10
- Salt Spray 720 hrs (ASTM B117)

# SLIP-FIT JUNCTION BOX

## INSTALLATION EXAMPLE



## ORDERING INFORMATION

Part Number	Description	MPN Code
JB01	1.5" (1.9" OD) and 2"(2 3/8" OD) NPT-threaded Slip-Fit Junction box	210100116
JB02-P	1.5" (1.9" OD) and 2"(2 3/8" OD) NPT-threaded Slip-Fit Junction box + Sensor (120V)	210100117
JB03-P	1.5" (1.9" OD) and 2"(2 3/8" OD) NPT-threaded Slip-Fit Junction box + Sensor (208-277V)	210100118
JB04	1.5" (1.9" OD) and 2"(2 3/8" OD) Non-threaded Slip-Fit Junction box	210100119
JB05-P	1.5" (1.9" OD) and 2"(2 3/8" OD) Non-threaded Slip-Fit Junction box + Sensor (120V)	210100120
JB06-P	1.5" (1.9" OD) and 2"(2 3/8" OD) Non-threaded Slip-Fit Junction box + Sensor (208-277V)	210100121
GLCO-03	3 ft Cord (SOOW 14 AWG x 3, 105 degrees Celsius, 600V) with Cable Gland	210010098

## **REPLACEMENT PARTS (ORDERED SEPARATELY)**

Part Number	Description	MPN Code
MDX-15L-100-277-Driver	Replacement driver kit for MDX-15L-100-277 Fixtures	303010001
MDX-15L-347-480-Driver	Replacement driver kit for MDX-15L-347-480 Fixtures	303010002
MDX-20L-100-277-Driver	Replacement driver kit for MDX-20L-100-277 Fixtures	303010003
MDX-20L-347-480-Driver	Replacement driver kit for MDX-20L-347-480 Fixtures	303010004
MDX-30L-100-277-Driver	Replacement driver kit for MDX-30L-100-277 Fixtures	303010005
MDX-30L-347-480-Driver	Replacement driver kit for MDX-30L-347-480 Fixtures	303010006
MDX-40L-100-277-Driver	Replacement driver kit for MDX-40L-100-277 Fixtures	303010007
MDX-40L-347-480-Driver	Replacement driver kit for MDX-40L-347-480 Fixtures	303010008
MDX-50L-100-277-Driver	Replacement driver kit for MDX-50L-100-277 Fixtures	303010009
MDX-50L-347-480-Driver	Replacement driver kit for MDX-50L-347-480 Fixtures	303010010
MDX-60L-100-277-Driver	Replacement driver kit for MDX-60L-100-277 Fixtures	303010011
MDX-60L-347-480-Driver	Replacement driver kit for MDX-60L-347-480 Fixtures	303010012
MDX-70L-100-277-Driver	Replacement driver kit for MDX-70L-100-277 Fixtures	303010013
MDX-70L-347-480-Driver	Replacement driver kit for MDX-70L-347-480 Fixtures	303010014
CG006-A-01	Replacement Clear Glass Lens for MDX	303030016
CP006-A-01	Replacement Clear PC Lens for MDX Harsh	303030035

PN	Wattage (W)	CCT	CRI	Beam	Lens	Lumen Output (Lm)	Efficiency (Lm/W)
<b>Voltage 100-277VAC 80 CRI • STANDARD</b>							
MDX-15L-100-277-5K-120-HS-CG-GRY-PND	90	5000K	80	120	Clear Glass	15,047	166
MDX-15L-100-277-5K-30-HS-CG-GRY-PND	90	5000K	80	30	Clear Glass	15,126	166
MDX-15L-100-277-5K-60-HS-CG-GRY-PND	90	5000K	80	60	Clear Glass	15,349	168
MDX-15L-100-277-5K-90-HS-CG-GRY-PND	90	5000K	80	90	Clear Glass	15,657	171
MDX-15L-100-277-5K-T2-HS-CG-GRY-PND	90	5000K	80	T2	Clear Glass	14,341	157
MDX-15L-100-277-5K-T3-HS-CG-GRY-PND	90	5000K	80	T3	Clear Glass	14,899	163
MDX-15L-100-277-5K-T5-HS-CG-GRY-PND	120	5000K	80	T5	Clear Glass	13,621	150
MDX-20L-100-277-5K-120-HS-CG-GRY-PND	120	5000K	80	120	Clear Glass	19,854	163
MDX-20L-100-277-5K-30-HS-CG-GRY-PND	120	5000K	80	30	Clear Glass	19,881	163
MDX-20L-100-277-5K-60-HS-CG-GRY-PND	120	5000K	80	60	Clear Glass	19,787	164
MDX-20L-100-277-5K-90-HS-CG-GRY-PND	120	5000K	80	90	Clear Glass	19,972	165
MDX-20L-100-277-5K-T2-HS-CG-GRY-PND	120	5000K	80	T2	Clear Glass	18,600	155
MDX-20L-100-277-5K-T3-HS-CG-GRY-PND	120	5000K	80	T3	Clear Glass	19,241	160
MDX-20L-100-277-5K-T5-HS-CG-GRY-PND	120	5000K	80	T5	Clear Glass	17,611	147
MDX-30L-100-277-5K-120-HS-CG-GRY-PND	190	5000K	80	120	Clear Glass	29,148	154
MDX-30L-100-277-5K-30-HS-CG-GRY-PND	190	5000K	80	30	Clear Glass	29,751	155
MDX-30L-100-277-5K-60-HS-CG-GRY-PND	190	5000K	80	60	Clear Glass	30,193	157
MDX-30L-100-277-5K-90-HS-CG-GRY-PND	190	5000K	80	90	Clear Glass	30,257	159
MDX-30L-100-277-5K-T2-HS-CG-GRY-PND	190	5000K	80	T2	Clear Glass	28,230	148
MDX-30L-100-277-5K-T3-HS-CG-GRY-PND	190	5000K	80	T3	Clear Glass	28,797	152
MDX-30L-100-277-5K-T5-HS-CG-GRY-PND	190	5000K	80	T5	Clear Glass	26,805	140
MDX-40L-100-277-5K-120-HS-CG-GRY-PND	260	5000K	80	120	Clear Glass	37,730	149
MDX-40L-100-277-5K-30-HS-CG-GRY-PND	260	5000K	80	30	Clear Glass	38,649	152
MDX-40L-100-277-5K-60-HS-CG-GRY-PND	260	5000K	80	60	Clear Glass	38,575	152
MDX-40L-100-277-5K-90-HS-CG-GRY-PND	260	5000K	80	90	Clear Glass	38,572	152
MDX-40L-100-277-5K-T2-HS-CG-GRY-PND	260	5000K	80	T2	Clear Glass	35,838	141
MDX-40L-100-277-5K-T3-HS-CG-GRY-PND	260	5000K	80	T3	Clear Glass	36,960	146
MDX-40L-100-277-5K-T5-HS-CG-GRY-PND	260	5000K	80	T5	Clear Glass	34,220	135
MDX-50L-100-277-5K-120-HS-CG-GRY-PND	310	5000K	80	120	Clear Glass	47,974	155
MDX-50L-100-277-5K-30-HS-CG-GRY-PND	310	5000K	80	30	Clear Glass	51,920	169
MDX-50L-100-277-5K-60-HS-CG-GRY-PND	310	5000K	80	60	Clear Glass	49,168	160
MDX-50L-100-277-5K-90-HS-CG-GRY-PND	310	5000K	80	90	Clear Glass	49,073	160
MDX-50L-100-277-5K-T2-HS-CG-GRY-PND	310	5000K	80	T2	Clear Glass	45,610	169
MDX-50L-100-277-5K-T3-HS-CG-GRY-PND	310	5000K	80	T3	Clear Glass	47,983	156
MDX-50L-100-277-5K-T5-HS-CG-GRY-PND	310	5000K	80	T5	Clear Glass	43,799	143
MDX-60L-100-277-5K-120-HS-CG-GRY-PND	380	5000K	80	120	Clear Glass	59,028	155
MDX-60L-100-277-5K-30-HS-CG-GRY-PND	380	5000K	80	30	Clear Glass	60,719	160
MDX-60L-100-277-5K-60-HS-CG-GRY-PND	380	5000K	80	60	Clear Glass	60,995	160
MDX-60L-100-277-5K-90-HS-CG-GRY-PND	380	5000K	80	90	Clear Glass	61,510	161
MDX-60L-100-277-5K-T2-HS-CG-GRY-PND	380	5000K	80	T2	Clear Glass	56,202	147
MDX-60L-100-277-5K-T3-HS-CG-GRY-PND	380	5000K	80	T3	Clear Glass	58,570	153
MDX-60L-100-277-5K-T5-HS-CG-GRY-PND	380	5000K	80	T5	Clear Glass	54,246	143
MDX-70L-100-277-5K-120-HS-CG-GRY-PND	440	5000K	80	120	Clear Glass	66,313	151
MDX-70L-100-277-5K-30-HS-CG-GRY-PND	440	5000K	80	30	Clear Glass	68,251	156
MDX-70L-100-277-5K-60-HS-CG-GRY-PND	440	5000K	80	60	Clear Glass	68,952	152
MDX-70L-100-277-5K-90-HS-CG-GRY-PND	440	5000K	80	90	Clear Glass	69,079	157
MDX-70L-100-277-5K-T2-HS-CG-GRY-PND	440	5000K	80	T2	Clear Glass	64,066	146
MDX-70L-100-277-5K-T3-HS-CG-GRY-PND	440	5000K	80	T3	Clear Glass	65,733	148
MDX-70L-100-277-5K-T5-HS-CG-GRY-PND	440	5000K	80	T5	Clear Glass	62,020	140

347–480Vac models deliver the same lumen output as the 100–277Vac models.  
 This table lists only selected lumen packages. For additional model parameters, please contact our sales team.  
 Note: LXX# = nominal lumens. Verify lumen package before ordering.

PN	Wattage (W)	CCT	CRI	Beam	Lens	Lumen Output (Lm)	Efficiency (Lm/W)
<b>Voltage 100-277VAC 90 CRI</b>							
MDX-15L-100-277-5K-120-HS-CG-GRY-PND CRI90	90	5000K	90	120	Clear Glass	12,341	135
MDX-15L-100-277-5K-30-HS-CG-GRY-PND CRI90	90	5000K	90	30	Clear Glass	12,429	136
MDX-15L-100-277-5K-60-HS-CG-GRY-PND CRI90	90	5000K	90	60	Clear Glass	12,464	137
MDX-15L-100-277-5K-90-HS-CG-GRY-PND CRI90	90	5000K	90	90	Clear Glass	12,729	139
MDX-15L-100-277-5K-T2-HS-CG-GRY-PND CRI90	90	5000K	90	T2	Clear Glass	11,595	127
MDX-15L-100-277-5K-T3-HS-CG-GRY-PND CRI90	90	5000K	90	T3	Clear Glass	12,141	133
MDX-15L-100-277-5K-T5-HS-CG-GRY-PND CRI90	120	5000K	90	T5	Clear Glass	11,119	122
MDX-20L-100-277-5K-120-HS-CG-GRY-PND CRI90	120	5000K	90	120	Clear Glass	15,815	134
MDX-20L-100-277-5K-30-HS-CG-GRY-PND CRI90	120	5000K	90	30	Clear Glass	15,948	134
MDX-20L-100-277-5K-60-HS-CG-GRY-PND CRI90	120	5000K	90	60	Clear Glass	15,912	134
MDX-20L-100-277-5K-90-HS-CG-GRY-PND CRI90	120	5000K	90	90	Clear Glass	16,261	137
MDX-20L-100-277-5K-T2-HS-CG-GRY-PND CRI90	120	5000K	90	T2	Clear Glass	14,802	125
MDX-20L-100-277-5K-T3-HS-CG-GRY-PND CRI90	120	5000K	90	T3	Clear Glass	15,476	130
MDX-20L-100-277-5K-T5-HS-CG-GRY-PND CRI90	120	5000K	90	T5	Clear Glass	14,103	119
MDX-30L-100-277-5K-120-HS-CG-GRY-PND CRI90	190	5000K	90	120	Clear Glass	24,199	127
MDX-30L-100-277-5K-30-HS-CG-GRY-PND CRI90	190	5000K	90	30	Clear Glass	24,321	128
MDX-30L-100-277-5K-60-HS-CG-GRY-PND CRI90	190	5000K	90	60	Clear Glass	24,416	128
MDX-30L-100-277-5K-90-HS-CG-GRY-PND CRI90	190	5000K	90	90	Clear Glass	24,800	130
MDX-30L-100-277-5K-T2-HS-CG-GRY-PND CRI90	190	5000K	90	T2	Clear Glass	22,630	119
MDX-30L-100-277-5K-T3-HS-CG-GRY-PND CRI90	190	5000K	90	T3	Clear Glass	23,667	124
MDX-30L-100-277-5K-T5-HS-CG-GRY-PND CRI90	190	5000K	90	T5	Clear Glass	21,621	114
MDX-40L-100-277-5K-120-HS-CG-GRY-PND CRI90	260	5000K	90	120	Clear Glass	30,815	123
MDX-40L-100-277-5K-30-HS-CG-GRY-PND CRI90	260	5000K	90	30	Clear Glass	30,846	123
MDX-40L-100-277-5K-60-HS-CG-GRY-PND CRI90	260	5000K	90	60	Clear Glass	30,985	123
MDX-40L-100-277-5K-90-HS-CG-GRY-PND CRI90	260	5000K	90	90	Clear Glass	31,408	125
MDX-40L-100-277-5K-T2-HS-CG-GRY-PND CRI90	260	5000K	90	T2	Clear Glass	29,380	114
MDX-40L-100-277-5K-T3-HS-CG-GRY-PND CRI90	260	5000K	90	T3	Clear Glass	30,550	119
MDX-40L-100-277-5K-T5-HS-CG-GRY-PND CRI90	260	5000K	90	T5	Clear Glass	28,056	109
MDX-50L-100-277-5K-120-HS-CG-GRY-PND CRI90	310	5000K	90	120	Clear Glass	38,252	134
MDX-50L-100-277-5K-30-HS-CG-GRY-PND CRI90	310	5000K	90	30	Clear Glass	38,760	136
MDX-50L-100-277-5K-60-HS-CG-GRY-PND CRI90	310	5000K	90	60	Clear Glass	38,427	135
MDX-50L-100-277-5K-90-HS-CG-GRY-PND CRI90	310	5000K	90	90	Clear Glass	39,078	137
MDX-50L-100-277-5K-T2-HS-CG-GRY-PND CRI90	310	5000K	90	T2	Clear Glass	35,614	125
MDX-50L-100-277-5K-T3-HS-CG-GRY-PND CRI90	310	5000K	90	T3	Clear Glass	37,373	131
MDX-50L-100-277-5K-T5-HS-CG-GRY-PND CRI90	310	5000K	90	T5	Clear Glass	34,028	119
MDX-60L-100-277-5K-120-HS-CG-GRY-PND CRI90	380	5000K	90	120	Clear Glass	47,101	133
MDX-60L-100-277-5K-30-HS-CG-GRY-PND CRI90	380	5000K	90	30	Clear Glass	48,210	136
MDX-60L-100-277-5K-60-HS-CG-GRY-PND CRI90	380	5000K	90	60	Clear Glass	47,831	136
MDX-60L-100-277-5K-90-HS-CG-GRY-PND CRI90	380	5000K	90	90	Clear Glass	48,623	138
MDX-60L-100-277-5K-T2-HS-CG-GRY-PND CRI90	380	5000K	90	T2	Clear Glass	43,780	124
MDX-60L-100-277-5K-T3-HS-CG-GRY-PND CRI90	380	5000K	90	T3	Clear Glass	45,997	131
MDX-60L-100-277-5K-T5-HS-CG-GRY-PND CRI90	380	5000K	90	T5	Clear Glass	42,203	120
MDX-70L-100-277-5K-120-HS-CG-GRY-PND CRI90	440	5000K	90	120	Clear Glass	54,100	131
MDX-70L-100-277-5K-30-HS-CG-GRY-PND CRI90	440	5000K	90	30	Clear Glass	54,910	133
MDX-70L-100-277-5K-60-HS-CG-GRY-PND CRI90	440	5000K	90	60	Clear Glass	54,797	133
MDX-70L-100-277-5K-90-HS-CG-GRY-PND CRI90	440	5000K	90	90	Clear Glass	55,803	135
MDX-70L-100-277-5K-T2-HS-CG-GRY-PND CRI90	440	5000K	90	T2	Clear Glass	50,611	123
MDX-70L-100-277-5K-T3-HS-CG-GRY-PND CRI90	440	5000K	90	T3	Clear Glass	52,623	128
MDX-70L-100-277-5K-T5-HS-CG-GRY-PND CRI90	440	5000K	90	T5	Clear Glass	48,435	117

347-480Vac models deliver the same lumen output as the 100-277Vac models.

This table lists only selected lumen packages. For additional model parameters, please contact our sales team.

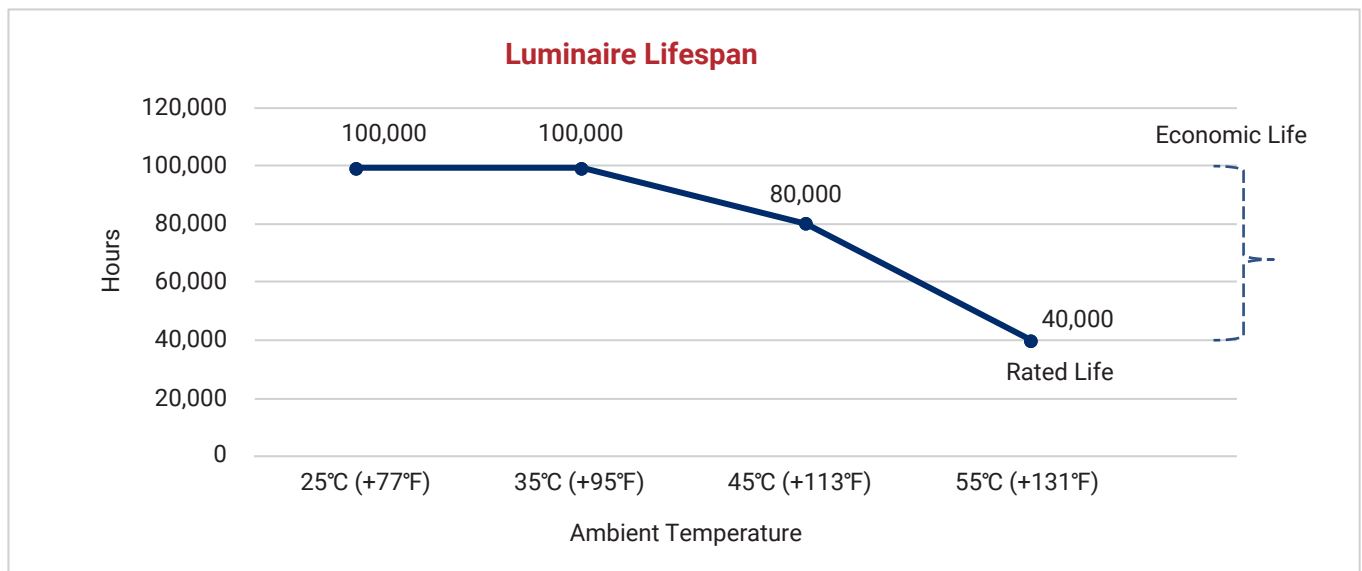
Note: LXX# = nominal lumens. Verify lumen package before ordering.

# LUMEN MAINTENANCE

Hours Ambient	0	15,000	30,000	45,000	60,000	75,000	90,000	100,000	150,000
25°C	100%	99%	97%	96%	95%	94%	93%	92%	89%
35°C	100%	99%	97%	96%	95%	94%	93%	92%	89%
45°C	100%	97%	95%	94%	92%	90%	89%	88%	84%
55°C	100%	96%	94%	91%	89%	87%	85%	84%	77%

# LUMINAIRE LIFESPAN

Ambient Temperature	Luminaire Lifespan (Hours)	Rated Service Life - Years (24/7 Operation)	Rated Service Life - Years (12/7 Operation)
25°C (+77°F)	100,000	11	23
35°C (+95°F)	100,000	11	23
45°C (+113°F)	80,000	9	18
55°C (+131°F)	40,000	5	9



Information shown for reference only and may vary by configuration.

## A DIRECT RETROFIT FROM HID TO LED

The MDX series LED is easy to retrofit in the same configuration as your existing HID luminaires. For example, a 90-watt Modular Max Floodlight (MDX-15L) delivers virtually the same illumination as its equivalent 400 watt HPS luminaire while providing 80% reduction in energy costs and up to 230,000 hours of continuous operation.



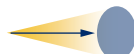




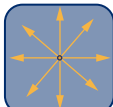
MODELS	Lumen Output (Lm)	MH Equivalent (W)	HPS Equivalent (W)
MDX-15L	15,074	350	400
MDX-20L	19,854	450	
MDX-30L	29,148	750	600
MDX-40L	37,009	1000	750
MDX-50L	47,974	1000~1500	1000
MDX-60L	59,028	1500	N.A
MDX-70L	66,313		

## THE RIGHT BEAM PATTERN FOR YOUR APPLICATION

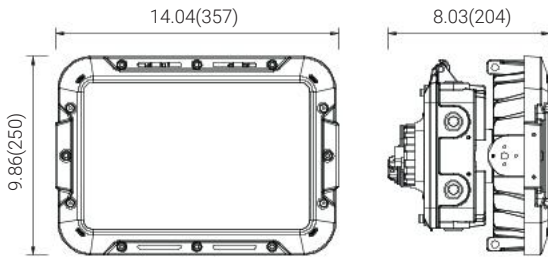
RSL optic package is engineered to deliver maximum footcandles efficiently where you need them, without wasted light or overspill.

RSL offers complimentary lighting design services for our products using industry-leading AGI32 software, tailored for projects of all sizes in harsh and hazardous locations. We assist you in determining the number of fixtures needed, the types of lights to use, their optimal placement, and how to maximize energy savings—all within budget.

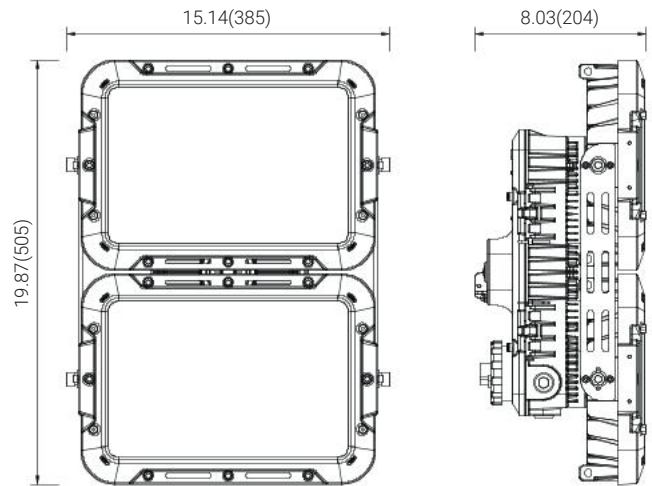
Simply fill out the form (<https://dev.redskylighting.com/lighting-design>) with a few key details, request a layout, and we'll bring your ideas to life within 2-5 business days.

Beam	NEMA/IESNA Type	Beam Description	Beam Projection Distance
30°	NEMA 3	Medium Narrow	
60°	NEMA 4	Medium	
90°	NEMA 5	Medium Wide	
120°	NEMA 6	Wide	
T1	Type I	Asymmetric distributions, well suited for narrow areas, such as Conveyor belts, Aisleways, Catwalks, Loading docks and Tunnels.	
T2	Type II	Asymmetric distributions, well suited for narrow areas, such as roadways, paths and driveways.	
T3	Type III	Asymmetric distributions, well suited for site / area perimeters, wide roadways, and open areas.	
T5	NEMA 7 Type V (Square)	Very Wide: symmetrical pattern with excellent uniformity for large, open areas.	

unit: in(mm)

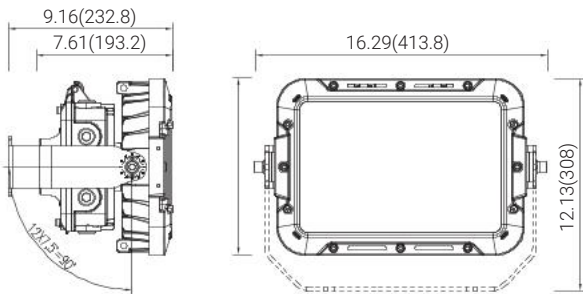


For 15L/20L/30L/40L

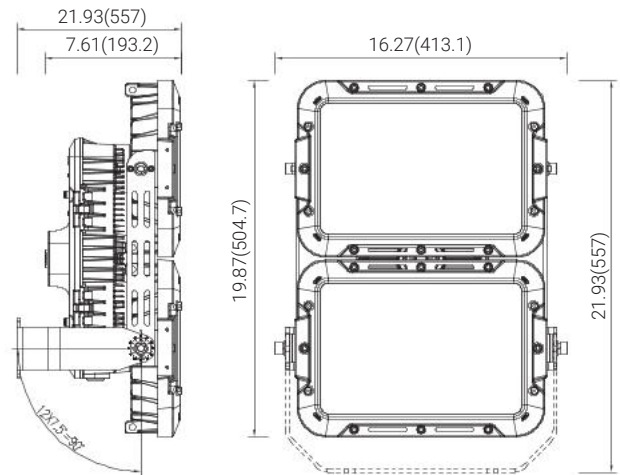


For 50L/60L/70L

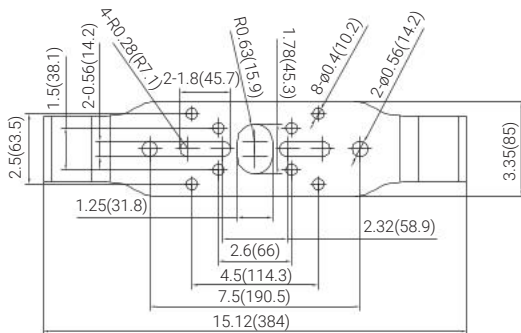
## Pendant



For 15L/20L/30L/40L

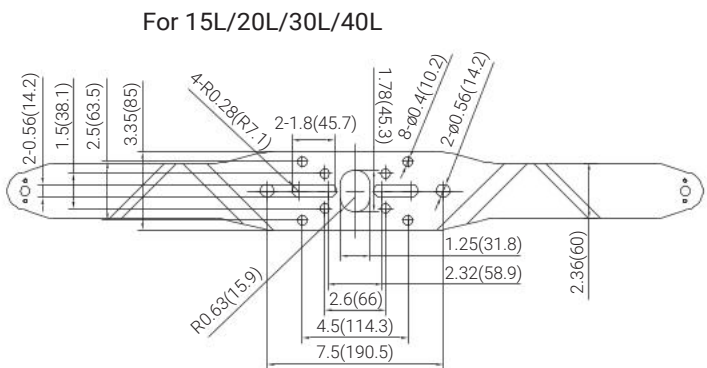
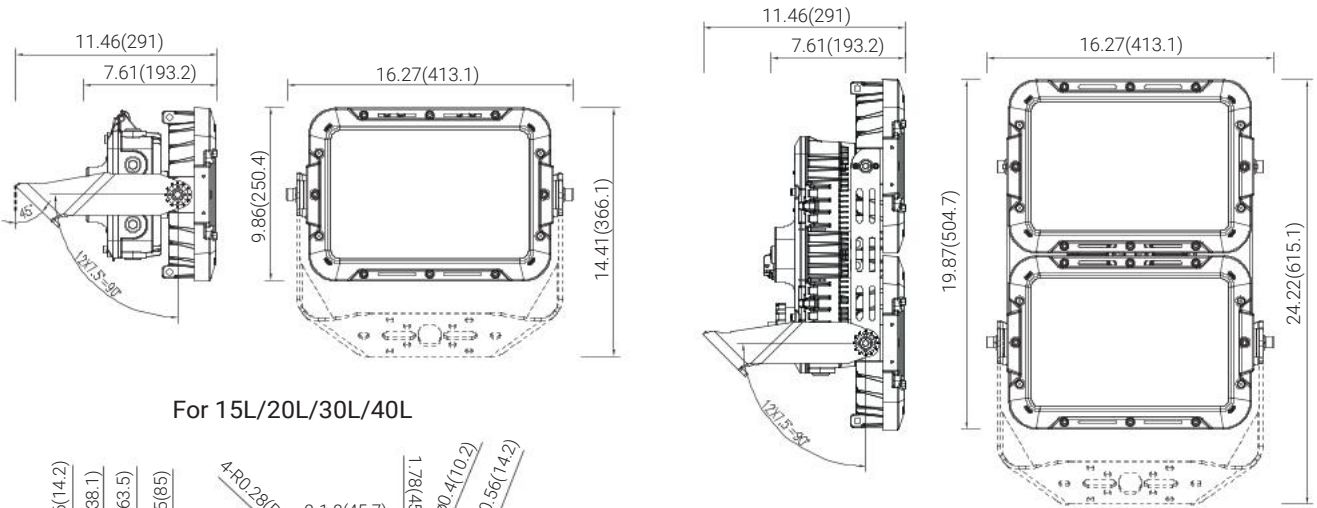


For 50L/60L/70L

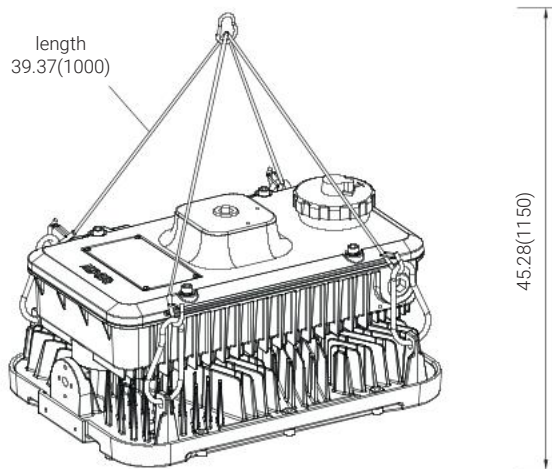


## Straight Yoke

unit: in(mm)

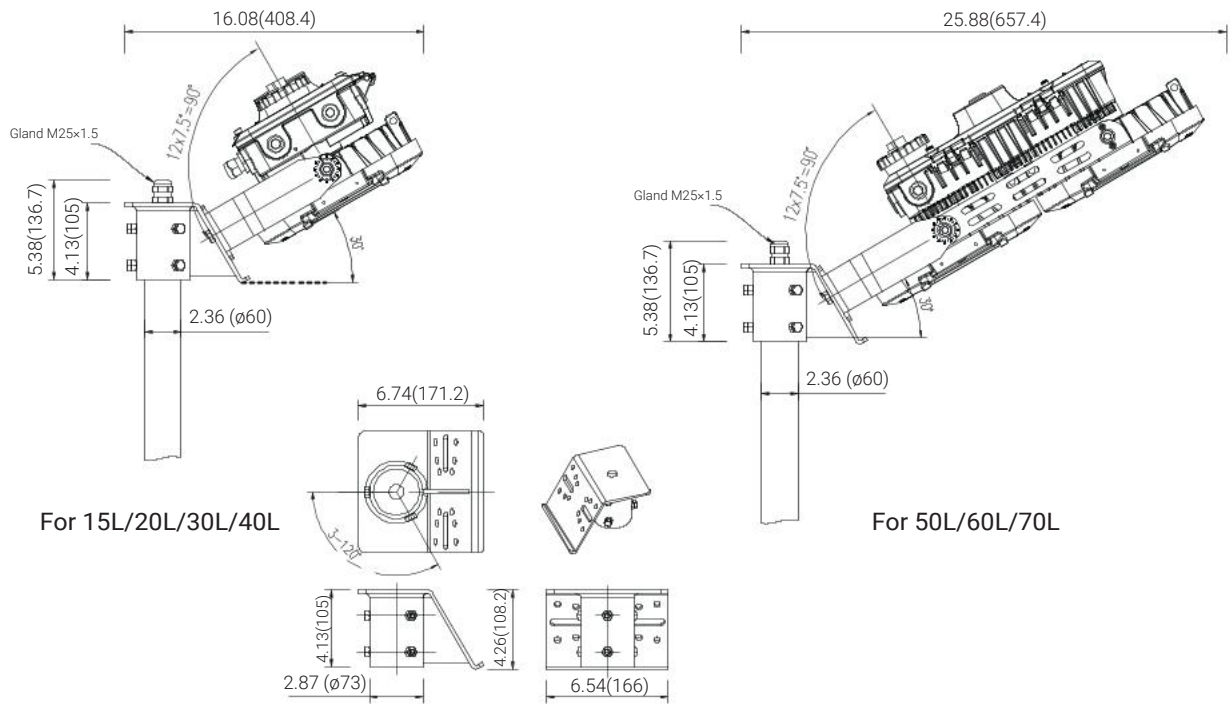


## Angled Yoke

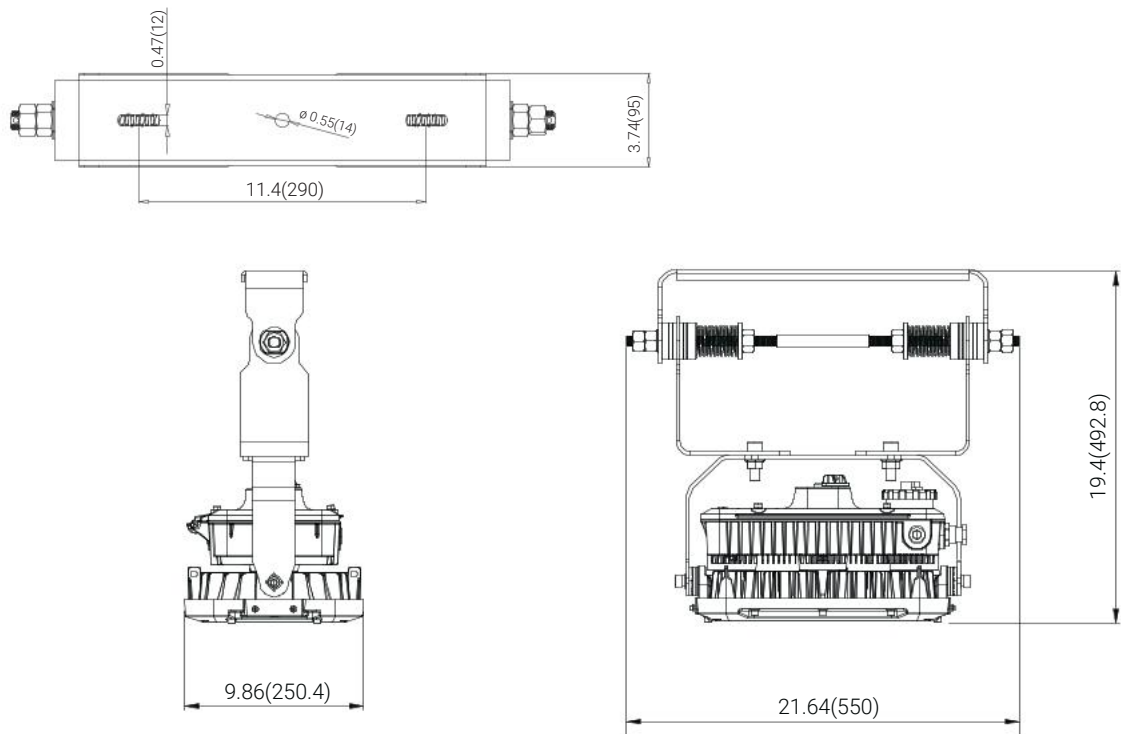


## Chain

unit: in(mm)

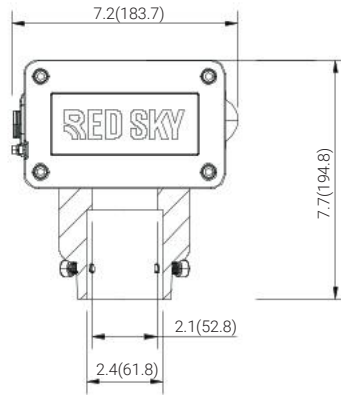
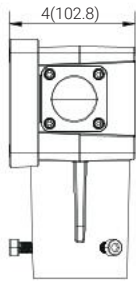
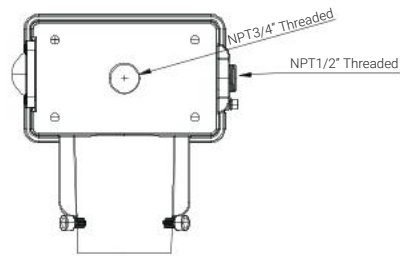


## Stanchion

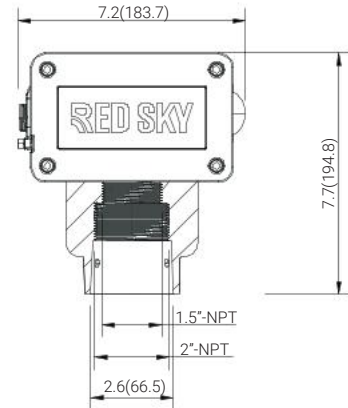


## DPY02

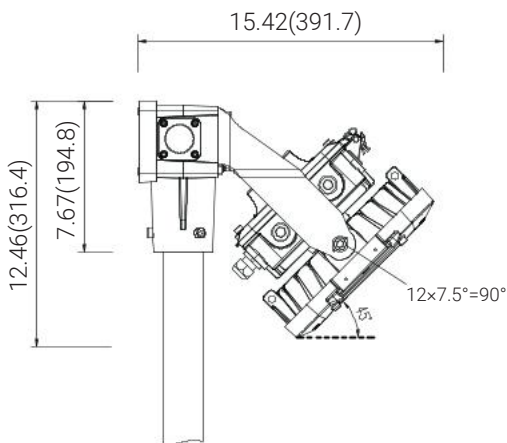
unit: in(mm)



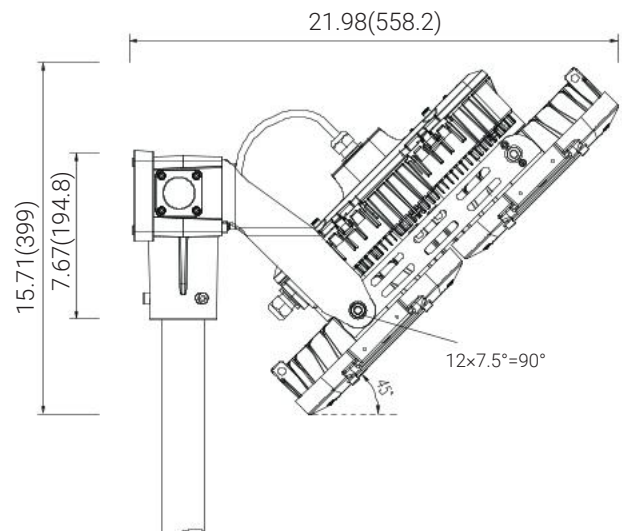
Non-threaded Pole



NPT-threaded Pole



For 15L/20L/30L/40L



For 50L/60L/70L

## Slip-fit Junction Box

Let's light your next project—  
Email us at [\*\*contact@redskylighting.com\*\*](mailto:contact@redskylighting.com),  
call us at **1 (262) 456-5002**  
or visit [\*\*www.redskylighting.com\*\*](http://www.redskylighting.com) to get started.

**Disclaimer**

All product information is subject to change without notice.  
Please contact Red Sky Lighting or your sales representative for the most up-to-date specifications.