



reddot winner 2024
lighting design

MODULAR MAX SERIES

LED LIGHTING FOR HAZARDOUS AREAS
FLOOD & HIGHBAY



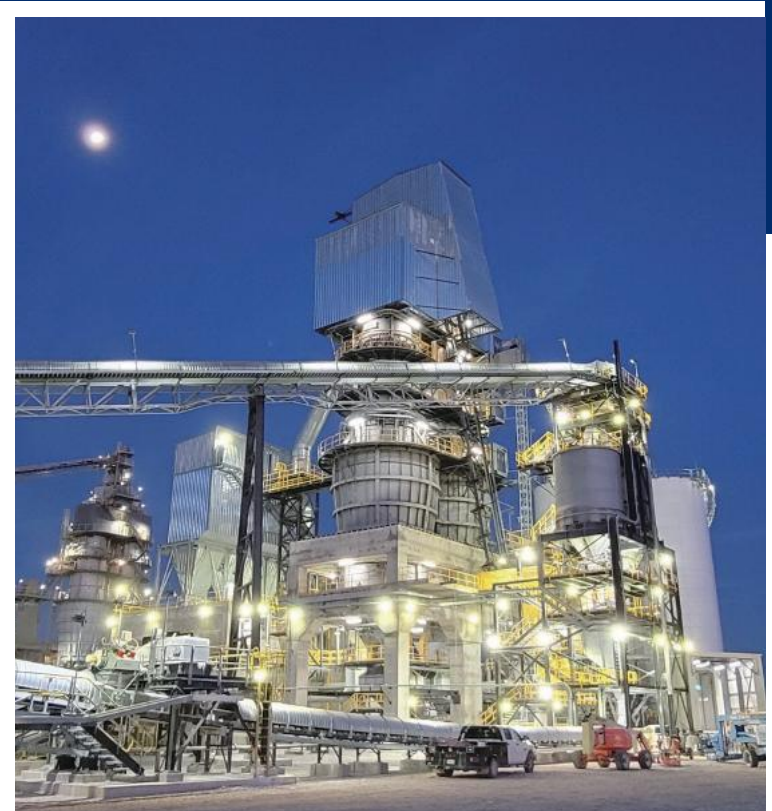
Reliable. Durable. Efficient.
15,000 to 66,000 lumen models

RED SKY
SERIOUSLY SAFE LIGHTS™

ABOUT RED SKY LIGHTING

PIONEERING INDUSTRIAL ILLUMINATION FOR HARSH & HAZARDOUS CONDITIONS

- A leading manufacturer of premium LED lights for demanding work conditions
- Headquartered in California, products assembled in the USA
- Servicing global clients across 4 continents in metal processing, oil & gas, marine, manufacturing
- Renowned for quality, dependability, client care and uncompromising safety standards



WHY CHOOSE RED SKY

❧ SERIOUSLY SAFE LIGHTS

- Rigorously tested in our professional labs
- Surpassing industry certifications and safety protocols
- Crafted with highest grade components for maximum durability

❧ TOP-NOTCH SERVICES

- Team of experts for seamless support
- Energy audit services, lighting simulation services
- Hassle-free return policy and management

❧ FAST DELIVERY

- Majority of orders delivered within 14 days
- Same day shipping for products in stock
- Real-time order tracking for full transparency

❧ SUSTAINABLE SOLUTIONS

- High luminous efficacy LEDs for energy savings
- Conscious product design
- Recyclable materials for products and packaging



MODULAR MAX SERIES



The Modular Max Series packs powerful performance with a high lumen output of up to 66,000 lumens and excellent luminous efficacy of up to 166 lm/W. This is achieved while maintaining a lightweight and compact design, making it over 25% lighter than comparable C1D2/C2D1 floodlights.

Certified for C1D2/C2D1 hazardous locations, the Modular Max Series withstands even the harshest environments. Its craftsmanship and rigorous testing ensure optimal performance under extreme conditions, maintaining high output from -49°F to +149°F (-45°C to +65°C). An outstanding thermal design and robust quality provide durable operation.

Versatile, intelligent design allows equal use as a floodlight or high bay solution. Unique product structure design simplifies installation and manufacturing. The light housing utilizes recyclable metal alloys, supporting sustainability. Additional accessories reduce light pollution, Red Sky Lighting is committed to responsible, efficient, and eco-friendly solutions. The Modular Max Series delivers unprecedented performance for demanding industrial applications.



FEATURES



Compact and Light-Weight Design

Offering 15,000-66,000 Lm Wide Range Selection

Safe and Reliable Heat Transfer, Can be Used in High/Low Ambient Temperatures

-49°F to +149°F for 15,000 - 30,000 Lm
 -49°F to +131°F for 37,000 - 66,000 Lm

Easy Installation
 Easy Wiring, More Room for Wiring

Warranty
 Standard: 7 Years
 Extended: 10 years

RATINGS

| | |
|---------------------------------------|--------------------------------|
| Class I Division 2, Groups A, B, C, D | UL 1598 Wet Locations |
| Class II Division 1 Group E, F, G | UL 1598A Marine Outside Type |
| Class II Division 2, Groups F, G | (Salt Water) |
| Class III | IP66/67, NEMA 4X |
| Simultaneous Presence | IK08(Glass) |
| Class I, Zone 2, Group IIC | IK10 (Glass, Special ordering) |
| Zone 20, 21 & 22 | 3G Vibration (ANSI C136.31) |
| | Salt Spray 720H (ASTM B117) |

CERTIFICATIONS

UL844
 UL1598
 UL1598A
 CSA C22.2 No. 250.0
 CSA C22.2 No. 137
 DLC Premium*
 FCC 47 CFR Part 15 Subpart B

* Not all product variations listed on this page are DLC qualified. Visit www.designlights.org/search to confirm qualification.

TECHNICAL PARAMETERS

| Specification | MDX-15L | MDX-20L | MDX-30L | MDX-40L | MDX-50L | MDX-60L | MDX-70L |
|------------------------------------|---|----------|----------|----------|------------------------------------|--------------------------|----------|
| Electrical Parameters | | | | | | | |
| Power | 90W | 120W | 190W | 260W | 310W | 380W | 440W |
| Rated Input Current(120V AC) | 0.833A | 1.111A | 1.759A | 2.407A | 2.870A | 3.519A | 4.074A |
| Rated Input Current(277V AC) | 0.361A | 0.481A | 0.762A | 1.043A | 1.244A | 1.524A | 1.765A |
| Rated Input Current(347V AC) | 0.288A | 0.384A | 0.608A | 0.833A | 0.993A | 1.217A | 1.409A |
| Rated Input Current(480V AC) | 0.208A | 0.278A | 0.440A | 0.602A | 0.718A | 0.880A | 1.019A |
| Voltage/Frequency | 100-277V AC, 347-480V AC 50/60Hz | | | | | | |
| Power Factor | >0.90 | | | | | | |
| THD | <20% | | | | | | |
| L70 | 230,000 hrs@149°F | | | | 230,000 hrs@131°F | | |
| Dimming | 0-10V, Range 10% - 100% | | | | | | |
| Surge Protection | 10KV | | | | | | |
| Supply Wire | 12-18AWG, Rated 90°C min | | | | | 12-17AWG, Rated 90°C min | |
| Warranty | Standard: 7 Years, Extended: 10 years | | | | | | |
| Optical Parameters | | | | | | | |
| Lumen Output* | 15,074Lm | 19,854Lm | 29,148Lm | 37,730Lm | 47,974Lm | 59,028Lm | 66,313Lm |
| Lumen Efficacy* | 166Lm/W | | | | | | |
| Available Beam Angle | 30° / 60° / 90° / 120° / T2 / T3 / T5 | | | | | | |
| Correlated Color Temperature (CCT) | 2700K / 4000K / 5000K | | | | | | |
| Color Rendering Index (CRI) | 80 CRI | | | | | | |
| Mechanical Parameters | | | | | | | |
| Housing Material | Copper-free (< 0.4%) die-cast aluminum | | | | | | |
| Hardware | Stainless steel 316 | | | | | | |
| Lens Material | Tempered Glass | | | | | | |
| Mounting Options | Pendant, Straight Yoke, Angled Yoke, Chain, Stanchion, Hook | | | | | | |
| Product Weight | 21.8lbs / 9.9kg | | | | 36.3lbs / 16.5kg | | |
| Package Weight | 23.9lbs / 10.9kg | | | | 40.1lbs / 18.2kg | | |
| Cable Entry | (5) 3/4" NPT** | | | | | | |
| Product Dimensions(L×W×H) | 14.1×9.8×7.4 in (357×250×189 mm) | | | | 9.9×14.1×7.4 in (505×357×189 mm) | | |
| Package Dimensions(L×W×H) | 19.7×13.4×11.8 in (500×340×300 mm) | | | | 23.6×19.7×11.8 in (600×500×300 mm) | | |
| Environmental Parameters | | | | | | | |
| Corrosion Resistance | Salt Spray 720H (ASTM B117) | | | | | | |
| Vibration Resistance | 3G (ANSI C136.31)*** | | | | | | |
| Ambient Operating Temperature | -49°F ~ +149°F (-45°C ~ 65°C) | | | | -49°F ~ +131°F (-45°C ~ 55°C) | | |
| T-Code Rating | CID2 – T3C, C2D1 – T4 | | | | | | |
| EPA wind rating (FT2) | 1.753 (Yoke), 1.888 (Stanchion) | | | | 2.864 (Yoke), 2.999 (Stanchion) | | |

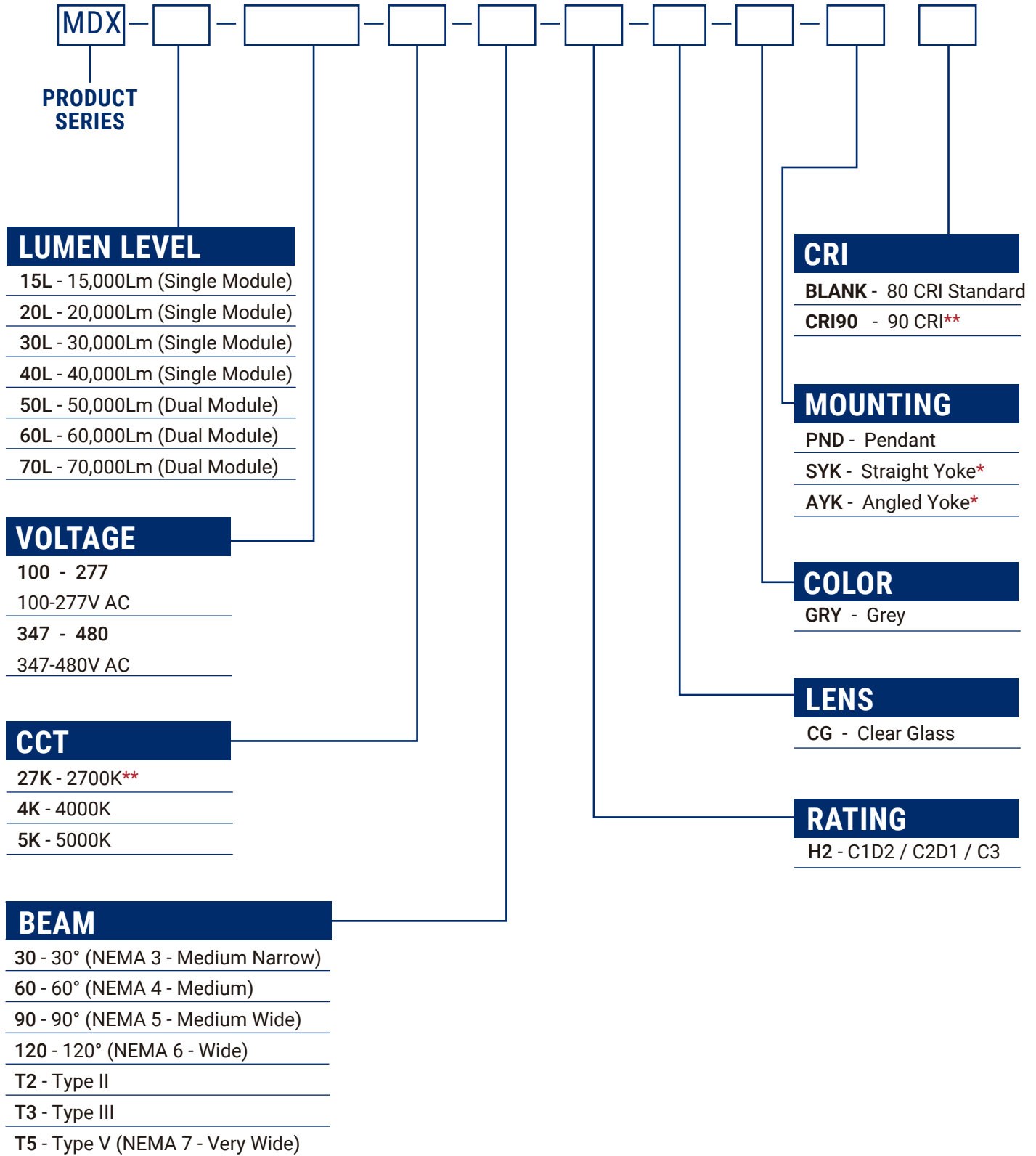
* Value calculated based on 5000K,80 CRI and Clear glass ,varies to different spec.

** Shipped with four blind plugs; Top entry open for pendant-mount models; Rear entry open for yoke-mount models.

*** Yoke Mount Only

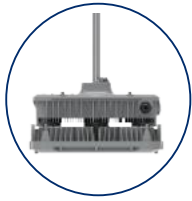
ORDERING INFORMATION

EXAMPLE: MDX-20L-100-277-5K-120-H2-CG-GRY-AYK

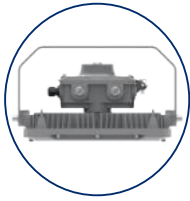


* YOKE Pre-installed, no need to order YOKE separately.
 ** 2700K CCT and CRI 90 option – expect longer lead time..

MOUNTING ACCESSORIES



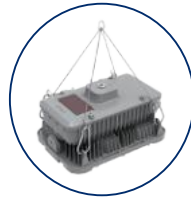
Pendant



Straight Yoke



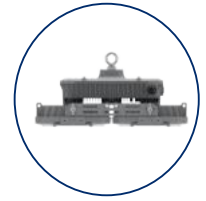
Angled Yoke



Chain



Stanchion



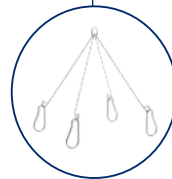
Hook



MDX-S YOKE S
MDX-S YOKE D



MDX-A YOKE S
MDX-A YOKE D



CHAIN02



STAN01
STAN02



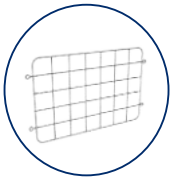
HOOK2

| Mounting Method | PN | Description | MPN Code |
|-----------------|--------------|--|-----------|
| Straight Yoke | MDX-S YOKE S | Straight Yoke, 0-90 Degrees Adjustable, SUS304, Powder-Coated Grey RAL 7037, only available with 15L/20L/30L/40L | 210010043 |
| | MDX-S YOKE D | Straight Yoke, 0-90 Degrees Adjustable, SUS304, Powder-Coated Grey RAL 7037, only available with 50L/60L/70L | 210010045 |
| Angled Yoke | MDX-A YOKE S | 45-Degree Angled Yoke, 0-90 Degrees Adjustable, SUS304, Powder-Coated Grey RAL 7037, only available with MDX 15L/20L/30L/40L | 210010044 |
| | MDX-A YOKE D | 45-Degree Angled Yoke, 0-90 Degrees Adjustable, SUS304, Powder-Coated Grey RAL 7037, only available with 50L/60L/70L | 210010046 |
| Chain | CHAIN02 | Chain Hang Kit, 4pcs×3ft, SUS304 | 210010100 |
| Stanchion | STAN01* | Slip-Fit Stanchion Mount Kit for Φ 2 inch (2-3/8 inch OD, 60mm OD) Poles, Non-Threaded, SUS304, Powder-Coated Grey RAL 7037 | 210010031 |
| | STAN02** | Slip-Fit Stanchion Mount Kit for Φ 2 inch (2 3/8 inch OD) Poles, Non-threaded, SUS304, Powder-Coated Grey RAL 7037 | 210010047 |
| Hook | HOOK2 | M10 Hook with 3/4 inch NPT Threads, SUS316 | 210010097 |

* Requires A Straight Yoke, only available with 15L/20L/30L/40L

** Requires A Straight Yoke, only available with 50L/60L/70L

OTHER ACCESSORIES



MDX-WG



SFCB01



MDX-VISO



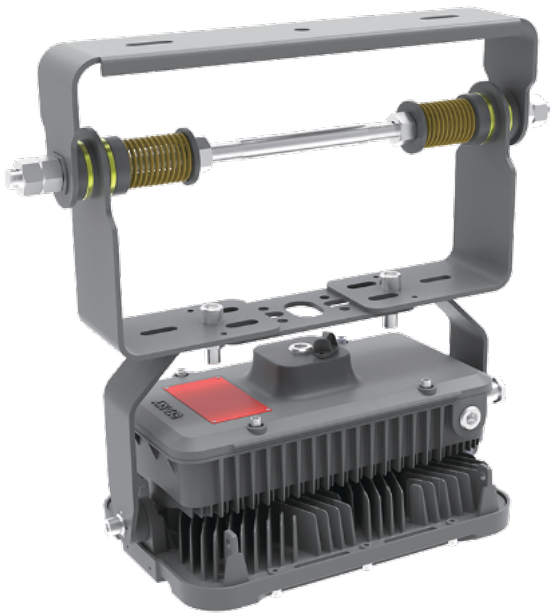
DPY02

| PN | Description | MPN Code |
|----------|--|-----------|
| MDX-SWG | Wire Guard for Glass Lens | 210010101 |
| MDX-DWG | Wire Guard for Glass Lens,only available with 50L/60L/70L | 210010102 |
| SFCB01 | 3ft Safety Cable Kit, SUS304 | 210010086 |
| MDX-VISO | Visor, AL6061, Powder-Coated Grey RAL 7037 | 210100103 |
| GLCO-03 | 3 ft Cord (SOOW 14 AWG x 3, 105 degrees Celsius, 600V) with Cable Gland | 210010098 |
| GLCO-10 | 10 ft Cord (SOOW 14 AWG x 3, 105 degrees Celsius, 600V) with Cable Gland | 210010099 |
| DPY02*** | Crane Damper Bracket, SUS304, Fixed with M12 Bolts | 210010048 |

*** only available with MDX 15L/20L/30L/40L



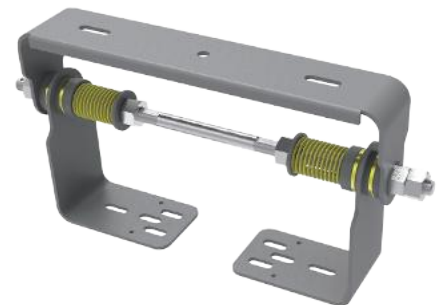
CRANE DAMPER BRACKET



The **Damper bracket** is specifically engineered to support MDX series floodlights, effectively minimizing vibrations when installed on moving cranes. This bracket ensures that your luminaire remains directed downward, regardless of its position along the crane boom, providing consistent illumination over the intended target area.

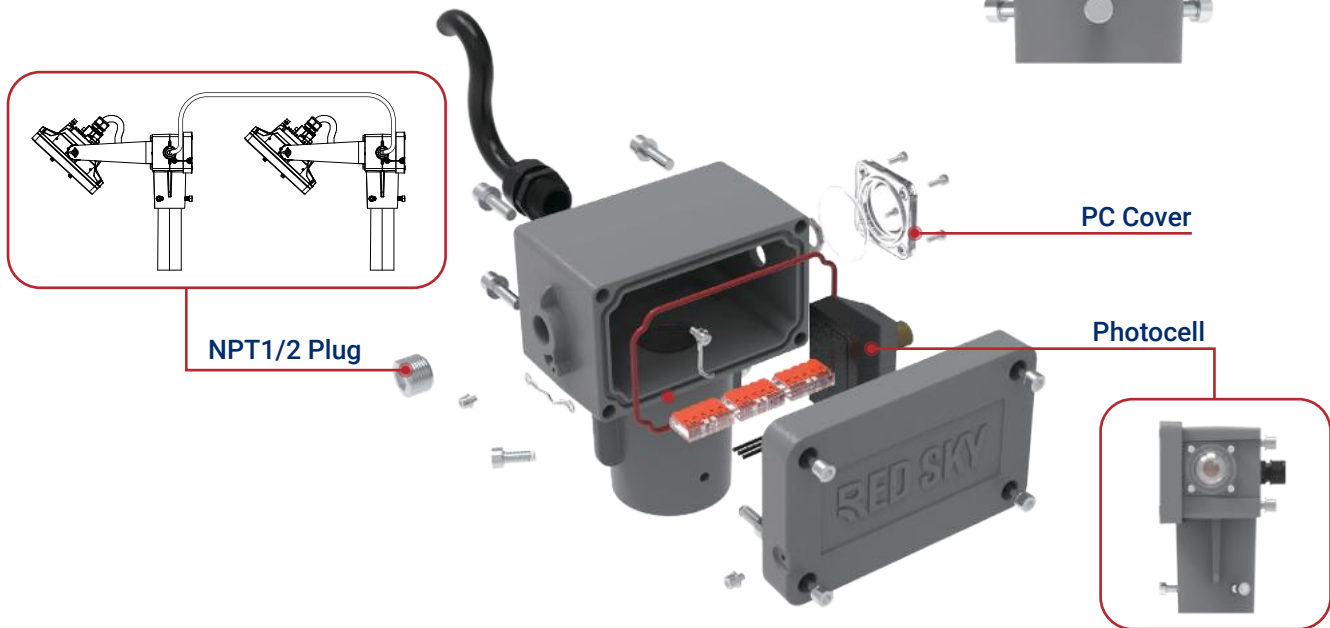
APPLICATION

- Harbour cranes
- Gantry cranes
- Offshore/Marine cranes



SLIP-FIT JUNCTION BOX

The **Junction Box** is a multi-piece assembly featuring a copper-free, cast-aluminum housing, front cover, and cable gland. The design accommodates both stanchion installation and other mounting options. It is compatible with 2" (2 3/8" OD) and 1.5" (1.9" OD) poles, both NPT-threaded and non-threaded.



FEATURES

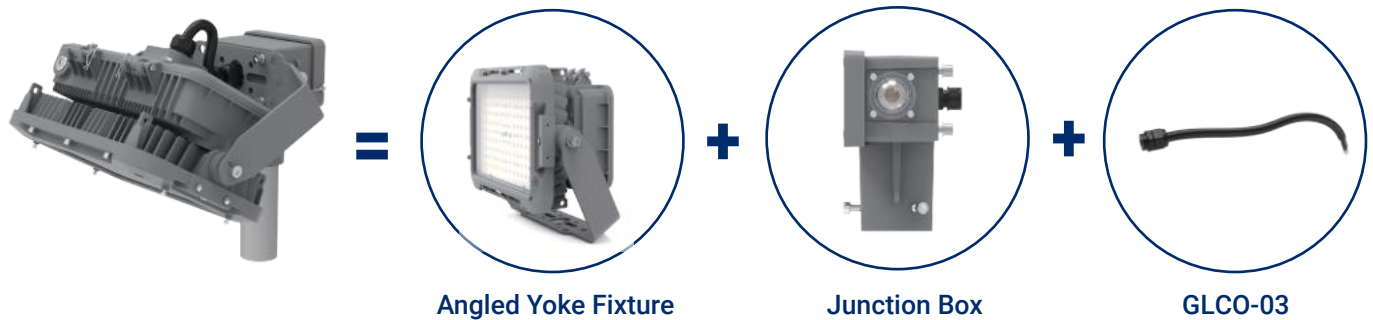
- Weather-resistant finish suitable for wet locations and marine environments
- WAGO 211 lever connectors (5-pole, UL/CSA, 20-10 AWG) for easy, hassle-free wiring
- Wiring access cover with captive screws and a rear hub featuring NPT 1/2" threads for daisy-chain wiring
- Optional C1D2 Photocell Sensor built-in
- Ambient temperature range: -45°C to +65°C (-49°F to 149°F)
- Shock and vibration-resistant design

CERTIFICATIONS & RATINGS

- UL844
- UL1598
- UL1598A
- CSA C22.2 NO. 250.0
- CSA C22.2 No. 137
- Class I Division 2, Groups A, B, C, D
- UL 1598 Wet Locations
- UL 1598A Marine Outside Type (Salt Water)
- IP66
- IK10
- Salt Spray 720 hrs (ASTM B117)

SLIP-FIT JUNCTION BOX

INSTALLATION EXAMPLE



ORDERING INFORMATION

| Part Number | Description | MPN Code |
|-------------|---|-----------|
| JB01 | 1.5" (1.9" OD) and 2"(2 3/8" OD) NPT-threaded Slip-Fit Junction box | 210100116 |
| JB02-P | 1.5" (1.9" OD) and 2"(2 3/8" OD) NPT-threaded Slip-Fit Junction box + Sensor (120V) | 210100117 |
| JB03-P | 1.5" (1.9" OD) and 2"(2 3/8" OD) NPT-threaded Slip-Fit Junction box + Sensor (208-277V) | 210100118 |
| JB04 | 1.5" (1.9" OD) and 2"(2 3/8" OD) Non-threaded Slip-Fit Junction box | 210100119 |
| JB05-P | 1.5" (1.9" OD) and 2"(2 3/8" OD) Non-threaded Slip-Fit Junction box + Sensor (120V) | 210100120 |
| JB06-P | 1.5" (1.9" OD) and 2"(2 3/8" OD) Non-threaded Slip-Fit Junction box + Sensor (208-277V) | 210100121 |
| GLCO-03 | 3 ft Cord (SOOW 14 AWG x 3, 105 degrees Celsius, 600V) with Cable Gland | 210010098 |

REPLACEMENT PARTS (ORDERED SEPARATELY)

| Part Number | Description | MPN Code |
|------------------------|---|-----------|
| MDX-15L-100-277-Driver | Replacement driver kit for MDX-15L-100-277 Fixtures | 303010001 |
| MDX-15L-347-480-Driver | Replacement driver kit for MDX-15L-347-480 Fixtures | 303010002 |
| MDX-20L-100-277-Driver | Replacement driver kit for MDX-20L-100-277 Fixtures | 303010003 |
| MDX-20L-347-480-Driver | Replacement driver kit for MDX-20L-347-480 Fixtures | 303010004 |
| MDX-30L-100-277-Driver | Replacement driver kit for MDX-30L-100-277 Fixtures | 303010005 |
| MDX-30L-347-480-Driver | Replacement driver kit for MDX-30L-347-480 Fixtures | 303010006 |
| MDX-40L-100-277-Driver | Replacement driver kit for MDX-40L-100-277 Fixtures | 303010007 |
| MDX-40L-347-480-Driver | Replacement driver kit for MDX-40L-347-480 Fixtures | 303010008 |
| MDX-50L-100-277-Driver | Replacement driver kit for MDX-50L-100-277 Fixtures | 303010009 |
| MDX-50L-347-480-Driver | Replacement driver kit for MDX-50L-347-480 Fixtures | 303010010 |
| MDX-60L-100-277-Driver | Replacement driver kit for MDX-60L-100-277 Fixtures | 303010011 |
| MDX-60L-347-480-Driver | Replacement driver kit for MDX-60L-347-480 Fixtures | 303010012 |
| MDX-70L-100-277-Driver | Replacement driver kit for MDX-70L-100-277 Fixtures | 303010013 |
| MDX-70L-347-480-Driver | Replacement driver kit for MDX-70L-347-480 Fixtures | 303010014 |

LUMEN TABLE

| PN | Wattage (W) | CCT | CRI | Beam | Lens | Lumen Output (Lm) | Efficiency (Lm/W) |
|---|-------------|-------|-----|------|-------------|-------------------|-------------------|
| Voltage 100-277VAC 80 CRI • STANDARD | | | | | | | |
| MDX-15L-100-277-5K-120-H2-CG-GRY-PND | 90 | 5000K | 80 | 120 | Clear Glass | 15,047 | 166 |
| MDX-15L-100-277-5K-30-H2-CG-GRY-PND | 90 | 5000K | 80 | 30 | Clear Glass | 15,126 | 166 |
| MDX-15L-100-277-5K-60-H2-CG-GRY-PND | 90 | 5000K | 80 | 60 | Clear Glass | 15,349 | 168 |
| MDX-15L-100-277-5K-90-H2-CG-GRY-PND | 90 | 5000K | 80 | 90 | Clear Glass | 15,657 | 171 |
| MDX-15L-100-277-5K-T2-H2-CG-GRY-PND | 90 | 5000K | 80 | T2 | Clear Glass | 14,341 | 157 |
| MDX-15L-100-277-5K-T3-H2-CG-GRY-PND | 90 | 5000K | 80 | T3 | Clear Glass | 14,899 | 163 |
| MDX-15L-100-277-5K-T5-H2-CG-GRY-PND | 120 | 5000K | 80 | T5 | Clear Glass | 13,621 | 150 |
| MDX-20L-100-277-5K-120-H2-CG-GRY-PND | 120 | 5000K | 80 | 120 | Clear Glass | 19,854 | 163 |
| MDX-20L-100-277-5K-30-H2-CG-GRY-PND | 120 | 5000K | 80 | 30 | Clear Glass | 19,881 | 163 |
| MDX-20L-100-277-5K-60-H2-CG-GRY-PND | 120 | 5000K | 80 | 60 | Clear Glass | 19,787 | 164 |
| MDX-20L-100-277-5K-90-H2-CG-GRY-PND | 120 | 5000K | 80 | 90 | Clear Glass | 19,972 | 165 |
| MDX-20L-100-277-5K-T2-H2-CG-GRY-PND | 120 | 5000K | 80 | T2 | Clear Glass | 18,600 | 155 |
| MDX-20L-100-277-5K-T3-H2-CG-GRY-PND | 120 | 5000K | 80 | T3 | Clear Glass | 19,241 | 160 |
| MDX-20L-100-277-5K-T5-H2-CG-GRY-PND | 120 | 5000K | 80 | T5 | Clear Glass | 17,611 | 147 |
| MDX-30L-100-277-5K-120-H2-CG-GRY-PND | 190 | 5000K | 80 | 120 | Clear Glass | 29,148 | 154 |
| MDX-30L-100-277-5K-30-H2-CG-GRY-PND | 190 | 5000K | 80 | 30 | Clear Glass | 29,751 | 155 |
| MDX-30L-100-277-5K-60-H2-CG-GRY-PND | 190 | 5000K | 80 | 60 | Clear Glass | 30,193 | 157 |
| MDX-30L-100-277-5K-90-H2-CG-GRY-PND | 190 | 5000K | 80 | 90 | Clear Glass | 30,257 | 159 |
| MDX-30L-100-277-5K-T2-H2-CG-GRY-PND | 190 | 5000K | 80 | T2 | Clear Glass | 28,230 | 148 |
| MDX-30L-100-277-5K-T3-H2-CG-GRY-PND | 190 | 5000K | 80 | T3 | Clear Glass | 28,797 | 152 |
| MDX-30L-100-277-5K-T5-H2-CG-GRY-PND | 190 | 5000K | 80 | T5 | Clear Glass | 26,805 | 140 |
| MDX-40L-100-277-5K-120-H2-CG-GRY-PND | 260 | 5000K | 80 | 120 | Clear Glass | 37,730 | 149 |
| MDX-40L-100-277-5K-30-H2-CG-GRY-PND | 260 | 5000K | 80 | 30 | Clear Glass | 38,649 | 152 |
| MDX-40L-100-277-5K-60-H2-CG-GRY-PND | 260 | 5000K | 80 | 60 | Clear Glass | 38,575 | 152 |
| MDX-40L-100-277-5K-90-H2-CG-GRY-PND | 260 | 5000K | 80 | 90 | Clear Glass | 38,572 | 152 |
| MDX-40L-100-277-5K-T2-H2-CG-GRY-PND | 260 | 5000K | 80 | T2 | Clear Glass | 35,838 | 141 |
| MDX-40L-100-277-5K-T3-H2-CG-GRY-PND | 260 | 5000K | 80 | T3 | Clear Glass | 36,960 | 146 |
| MDX-40L-100-277-5K-T5-H2-CG-GRY-PND | 260 | 5000K | 80 | T5 | Clear Glass | 34,220 | 135 |
| MDX-50L-100-277-5K-120-H2-CG-GRY-PND | 310 | 5000K | 80 | 120 | Clear Glass | 47,974 | 155 |
| MDX-50L-100-277-5K-30-H2-CG-GRY-PND | 310 | 5000K | 80 | 30 | Clear Glass | 51,920 | 169 |
| MDX-50L-100-277-5K-60-H2-CG-GRY-PND | 310 | 5000K | 80 | 60 | Clear Glass | 49,168 | 160 |
| MDX-50L-100-277-5K-90-H2-CG-GRY-PND | 310 | 5000K | 80 | 90 | Clear Glass | 49,073 | 160 |
| MDX-50L-100-277-5K-T2-H2-CG-GRY-PND | 310 | 5000K | 80 | T2 | Clear Glass | 45,610 | 169 |
| MDX-50L-100-277-5K-T3-H2-CG-GRY-PND | 310 | 5000K | 80 | T3 | Clear Glass | 47,983 | 156 |
| MDX-50L-100-277-5K-T5-H2-CG-GRY-PND | 310 | 5000K | 80 | T5 | Clear Glass | 43,799 | 143 |
| MDX-60L-100-277-5K-120-H2-CG-GRY-PND | 380 | 5000K | 80 | 120 | Clear Glass | 59,028 | 155 |
| MDX-60L-100-277-5K-30-H2-CG-GRY-PND | 380 | 5000K | 80 | 30 | Clear Glass | 60,719 | 160 |
| MDX-60L-100-277-5K-60-H2-CG-GRY-PND | 380 | 5000K | 80 | 60 | Clear Glass | 60,995 | 160 |
| MDX-60L-100-277-5K-90-H2-CG-GRY-PND | 380 | 5000K | 80 | 90 | Clear Glass | 61,510 | 161 |
| MDX-60L-100-277-5K-T2-H2-CG-GRY-PND | 380 | 5000K | 80 | T2 | Clear Glass | 56,202 | 147 |
| MDX-60L-100-277-5K-T3-H2-CG-GRY-PND | 380 | 5000K | 80 | T3 | Clear Glass | 58,570 | 153 |
| MDX-60L-100-277-5K-T5-H2-CG-GRY-PND | 380 | 5000K | 80 | T5 | Clear Glass | 54,246 | 143 |
| MDX-70L-100-277-5K-120-H2-CG-GRY-PND | 440 | 5000K | 80 | 120 | Clear Glass | 66,313 | 151 |
| MDX-70L-100-277-5K-30-H2-CG-GRY-PND | 440 | 5000K | 80 | 30 | Clear Glass | 68,251 | 156 |
| MDX-70L-100-277-5K-60-H2-CG-GRY-PND | 440 | 5000K | 80 | 60 | Clear Glass | 68,952 | 152 |
| MDX-70L-100-277-5K-90-H2-CG-GRY-PND | 440 | 5000K | 80 | 90 | Clear Glass | 69,079 | 157 |
| MDX-70L-100-277-5K-T2-H2-CG-GRY-PND | 440 | 5000K | 80 | T2 | Clear Glass | 64,066 | 146 |
| MDX-70L-100-277-5K-T3-H2-CG-GRY-PND | 440 | 5000K | 80 | T3 | Clear Glass | 65,733 | 148 |
| MDX-70L-100-277-5K-T5-H2-CG-GRY-PND | 440 | 5000K | 80 | T5 | Clear Glass | 62,020 | 140 |

347-480Vac models deliver the same lumen output as the 100-277Vac models.

This table lists only selected lumen packages. For additional model parameters, please contact our sales team.

Note: LXX# = nominal lumens. Verify lumen package before ordering.

LUMEN TABLE

| PN | Wattage (W) | CCT | CRI | Beam | Lens | Lumen Output (Lm) | Efficiency (Lm/W) |
|--|-------------|-------|-----|------|-------------|-------------------|-------------------|
| Voltage 100-277VAC 90 CRI | | | | | | | |
| MDX-15L-100-277-5K-120-H2-CG-GRY-PND CRI90 | 90 | 5000K | 90 | 120 | Clear Glass | 12,341 | 135 |
| MDX-15L-100-277-5K-30-H2-CG-GRY-PND CRI90 | 90 | 5000K | 90 | 30 | Clear Glass | 12,429 | 136 |
| MDX-15L-100-277-5K-60-H2-CG-GRY-PND CRI90 | 90 | 5000K | 90 | 60 | Clear Glass | 12,464 | 137 |
| MDX-15L-100-277-5K-90-H2-CG-GRY-PND CRI90 | 90 | 5000K | 90 | 90 | Clear Glass | 12,729 | 139 |
| MDX-15L-100-277-5K-T2-H2-CG-GRY-PND CRI90 | 90 | 5000K | 90 | T2 | Clear Glass | 11,595 | 127 |
| MDX-15L-100-277-5K-T3-H2-CG-GRY-PND CRI90 | 90 | 5000K | 90 | T3 | Clear Glass | 12,141 | 133 |
| MDX-15L-100-277-5K-T5-H2-CG-GRY-PND CRI90 | 120 | 5000K | 90 | T5 | Clear Glass | 11,119 | 122 |
| MDX-20L-100-277-5K-120-H2-CG-GRY-PND CRI90 | 120 | 5000K | 90 | 120 | Clear Glass | 15,815 | 134 |
| MDX-20L-100-277-5K-30-H2-CG-GRY-PND CRI90 | 120 | 5000K | 90 | 30 | Clear Glass | 15,948 | 134 |
| MDX-20L-100-277-5K-60-H2-CG-GRY-PND CRI90 | 120 | 5000K | 90 | 60 | Clear Glass | 15,912 | 134 |
| MDX-20L-100-277-5K-90-H2-CG-GRY-PND CRI90 | 120 | 5000K | 90 | 90 | Clear Glass | 16,261 | 137 |
| MDX-20L-100-277-5K-T2-H2-CG-GRY-PND CRI90 | 120 | 5000K | 90 | T2 | Clear Glass | 14,802 | 125 |
| MDX-20L-100-277-5K-T3-H2-CG-GRY-PND CRI90 | 120 | 5000K | 90 | T3 | Clear Glass | 15,476 | 130 |
| MDX-20L-100-277-5K-T5-H2-CG-GRY-PND CRI90 | 120 | 5000K | 90 | T5 | Clear Glass | 14,103 | 119 |
| MDX-30L-100-277-5K-120-H2-CG-GRY-PND CRI90 | 190 | 5000K | 90 | 120 | Clear Glass | 24,199 | 127 |
| MDX-30L-100-277-5K-30-H2-CG-GRY-PND CRI90 | 190 | 5000K | 90 | 30 | Clear Glass | 24,321 | 128 |
| MDX-30L-100-277-5K-60-H2-CG-GRY-PND CRI90 | 190 | 5000K | 90 | 60 | Clear Glass | 24,416 | 128 |
| MDX-30L-100-277-5K-90-H2-CG-GRY-PND CRI90 | 190 | 5000K | 90 | 90 | Clear Glass | 24,800 | 130 |
| MDX-30L-100-277-5K-T2-H2-CG-GRY-PND CRI90 | 190 | 5000K | 90 | T2 | Clear Glass | 22,630 | 119 |
| MDX-30L-100-277-5K-T3-H2-CG-GRY-PND CRI90 | 190 | 5000K | 90 | T3 | Clear Glass | 23,667 | 124 |
| MDX-30L-100-277-5K-T5-H2-CG-GRY-PND CRI90 | 190 | 5000K | 90 | T5 | Clear Glass | 21,621 | 114 |
| MDX-40L-100-277-5K-120-H2-CG-GRY-PND CRI90 | 260 | 5000K | 90 | 120 | Clear Glass | 30,815 | 123 |
| MDX-40L-100-277-5K-30-H2-CG-GRY-PND CRI90 | 260 | 5000K | 90 | 30 | Clear Glass | 30,846 | 123 |
| MDX-40L-100-277-5K-60-H2-CG-GRY-PND CRI90 | 260 | 5000K | 90 | 60 | Clear Glass | 30,985 | 123 |
| MDX-40L-100-277-5K-90-H2-CG-GRY-PND CRI90 | 260 | 5000K | 90 | 90 | Clear Glass | 31,408 | 125 |
| MDX-40L-100-277-5K-T2-H2-CG-GRY-PND CRI90 | 260 | 5000K | 90 | T2 | Clear Glass | 29,380 | 114 |
| MDX-40L-100-277-5K-T3-H2-CG-GRY-PND CRI90 | 260 | 5000K | 90 | T3 | Clear Glass | 30,550 | 119 |
| MDX-40L-100-277-5K-T5-H2-CG-GRY-PND CRI90 | 260 | 5000K | 90 | T5 | Clear Glass | 28,056 | 109 |
| MDX-50L-100-277-5K-120-H2-CG-GRY-PND CRI90 | 310 | 5000K | 90 | 120 | Clear Glass | 38,252 | 134 |
| MDX-50L-100-277-5K-30-H2-CG-GRY-PND CRI90 | 310 | 5000K | 90 | 30 | Clear Glass | 38,760 | 136 |
| MDX-50L-100-277-5K-60-H2-CG-GRY-PND CRI90 | 310 | 5000K | 90 | 60 | Clear Glass | 38,427 | 135 |
| MDX-50L-100-277-5K-90-H2-CG-GRY-PND CRI90 | 310 | 5000K | 90 | 90 | Clear Glass | 39,078 | 137 |
| MDX-50L-100-277-5K-T2-H2-CG-GRY-PND CRI90 | 310 | 5000K | 90 | T2 | Clear Glass | 35,614 | 125 |
| MDX-50L-100-277-5K-T3-H2-CG-GRY-PND CRI90 | 310 | 5000K | 90 | T3 | Clear Glass | 37,373 | 131 |
| MDX-50L-100-277-5K-T5-H2-CG-GRY-PND CRI90 | 310 | 5000K | 90 | T5 | Clear Glass | 34,028 | 119 |
| MDX-60L-100-277-5K-120-H2-CG-GRY-PND CRI90 | 380 | 5000K | 90 | 120 | Clear Glass | 47,101 | 133 |
| MDX-60L-100-277-5K-30-H2-CG-GRY-PND CRI90 | 380 | 5000K | 90 | 30 | Clear Glass | 48,210 | 136 |
| MDX-60L-100-277-5K-60-H2-CG-GRY-PND CRI90 | 380 | 5000K | 90 | 60 | Clear Glass | 47,831 | 136 |
| MDX-60L-100-277-5K-90-H2-CG-GRY-PND CRI90 | 380 | 5000K | 90 | 90 | Clear Glass | 48,623 | 138 |
| MDX-60L-100-277-5K-T2-H2-CG-GRY-PND CRI90 | 380 | 5000K | 90 | T2 | Clear Glass | 43,780 | 124 |
| MDX-60L-100-277-5K-T3-H2-CG-GRY-PND CRI90 | 380 | 5000K | 90 | T3 | Clear Glass | 45,997 | 131 |
| MDX-60L-100-277-5K-T5-H2-CG-GRY-PND CRI90 | 380 | 5000K | 90 | T5 | Clear Glass | 42,203 | 120 |
| MDX-70L-100-277-5K-120-H2-CG-GRY-PND CRI90 | 440 | 5000K | 90 | 120 | Clear Glass | 54,100 | 131 |
| MDX-70L-100-277-5K-30-H2-CG-GRY-PND CRI90 | 440 | 5000K | 90 | 30 | Clear Glass | 54,910 | 133 |
| MDX-70L-100-277-5K-60-H2-CG-GRY-PND CRI90 | 440 | 5000K | 90 | 60 | Clear Glass | 54,797 | 133 |
| MDX-70L-100-277-5K-90-H2-CG-GRY-PND CRI90 | 440 | 5000K | 90 | 90 | Clear Glass | 55,803 | 135 |
| MDX-70L-100-277-5K-T2-H2-CG-GRY-PND CRI90 | 440 | 5000K | 90 | T2 | Clear Glass | 50,611 | 123 |
| MDX-70L-100-277-5K-T3-H2-CG-GRY-PND CRI90 | 440 | 5000K | 90 | T3 | Clear Glass | 52,623 | 128 |
| MDX-70L-100-277-5K-T5-H2-CG-GRY-PND CRI90 | 440 | 5000K | 90 | T5 | Clear Glass | 48,435 | 117 |

347-480Vac models deliver the same lumen output as the 100-277Vac models.

This table lists only selected lumen packages. For additional model parameters, please contact our sales team.

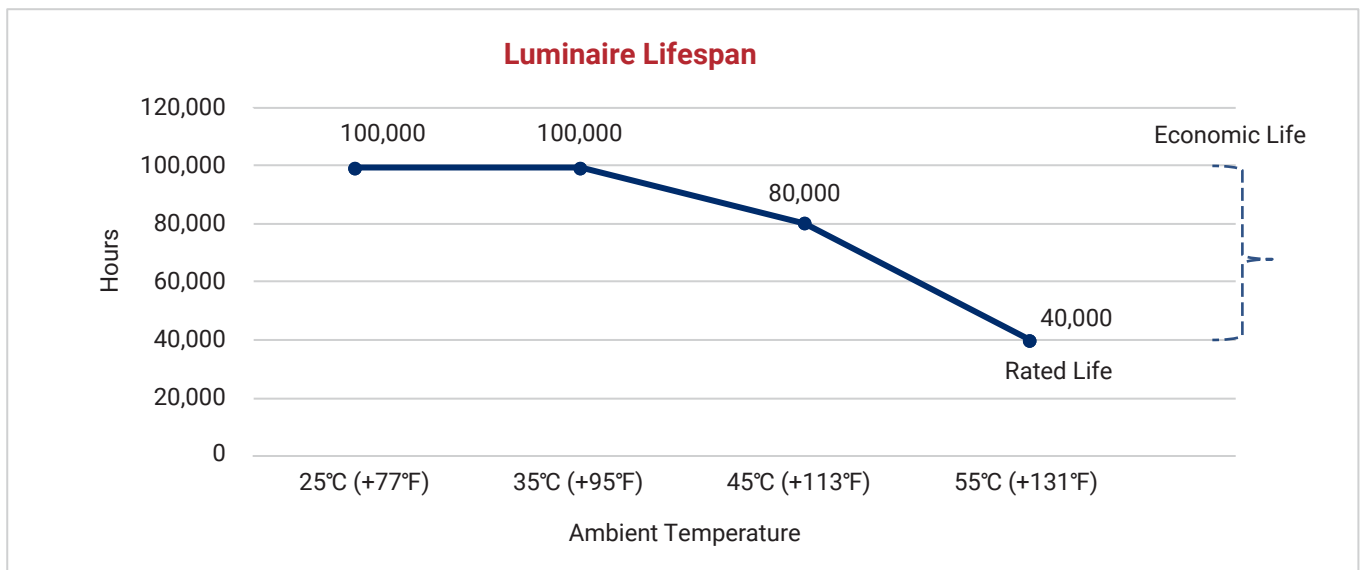
Note: LXX# = nominal lumens. Verify lumen package before ordering.

LUMEN MAINTENANCE

| Ambient \ Hours | 0 | 15,000 | 30,000 | 45,000 | 60,000 | 75,000 | 90,000 | 100,000 | 150,000 |
|-----------------|------|--------|--------|--------|--------|--------|--------|---------|---------|
| 25°C | 100% | 99% | 97% | 96% | 95% | 94% | 93% | 92% | 89% |
| 35°C | 100% | 99% | 97% | 96% | 95% | 94% | 93% | 92% | 89% |
| 45°C | 100% | 97% | 95% | 94% | 92% | 90% | 89% | 88% | 84% |
| 55°C | 100% | 96% | 94% | 91% | 89% | 87% | 85% | 84% | 77% |

LUMINAIRE LIFESPAN

| Ambient Temperature | Luminaire Lifespan (Hours) | Rated Service Life - Years (24/7 Operation) | Rated Service Life - Years (12/7 Operation) |
|---------------------|----------------------------|---|---|
| 25°C (+77°F) | 100,000 | 11 | 23 |
| 35°C (+95°F) | 100,000 | 11 | 23 |
| 45°C (+113°F) | 80,000 | 9 | 18 |
| 55°C (+131°F) | 40,000 | 5 | 9 |



Information shown for reference only and may vary by configuration.

A DIRECT RETROFIT FROM HID TO LED

The MDX series LED is easy to retrofit in the same configuration as your existing HID luminaires. For example, a 90-watt Modular Max Floodlight (MDX-15L) delivers virtually the same illumination as its equivalent 400 watt HPS luminaire while providing 80% reduction in energy costs and up to 230,000 hours of continuous operation.



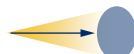




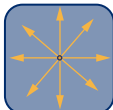
| MODELS | Lumen Output (Lm) | MH Equivalent (W) | HPS Equivalent (W) |
|---------|-------------------|-------------------|--------------------|
| MDX-15L | 15,074 | 350 | 400 |
| MDX-20L | 19,854 | 450 | |
| MDX-30L | 29,148 | 750 | 600 |
| MDX-40L | 37,009 | 1000 | 750 |
| MDX-50L | 47,974 | 1000~1500 | 1000 |
| MDX-60L | 59,028 | 1500 | N.A |
| MDX-70L | 66,313 | | |

THE RIGHT BEAM PATTERN FOR YOUR APPLICATION

RSL optic package is engineered to deliver maximum footcandles efficiently where you need them, without wasted light or overspill.

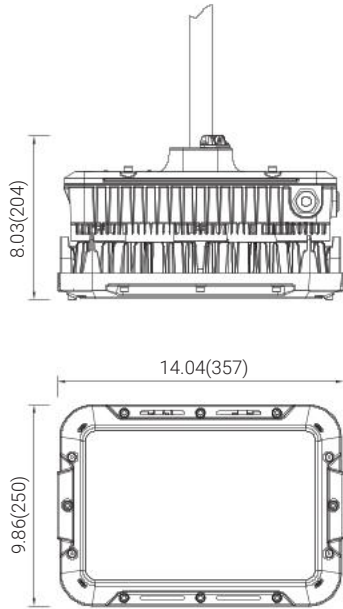
RSL offers complimentary lighting design services for our products using industry-leading AGI32 software, tailored for projects of all sizes in harsh and hazardous locations. We assist you in determining the number of fixtures needed, the types of lights to use, their optimal placement, and how to maximize energy savings—all within budget.

Simply fill out the form (<https://dev.redskylighting.com/lighting-design>) with a few key details, request a layout, and we'll bring your ideas to life within 2-5 business days.

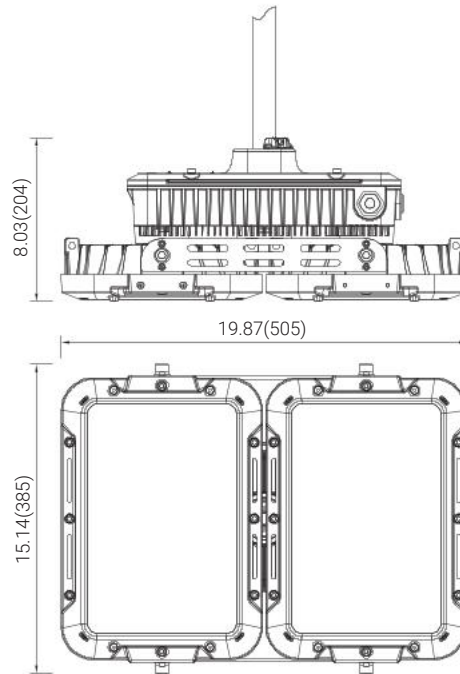
| Beam | NEMA/IESNA Type | Beam Description | Beam Projection Distance |
|------|---------------------------|---|---|
| 30° | NEMA 3 | Medium Narrow |  |
| 60° | NEMA 4 | Medium |  |
| 90° | NEMA 5 | Medium Wide |  |
| 120° | NEMA 6 | Wide |  |
| T1 | Type I | Asymmetric distributions, well suited for narrow areas, such as Conveyor belts, Aisleways, Catwalks, Loading docks and Tunnels. |  |
| T2 | Type II | Asymmetric distributions, well suited for narrow areas, such as roadways, paths and driveways. |  |
| T3 | Type III | Asymmetric distributions, well suited for site / area perimeters, wide roadways, and open areas. |  |
| T5 | NEMA 7 Type V (Square) | Very Wide: symmetrical pattern with excellent uniformity for large, open areas. |  |

DIMENSIONS

unit: in(mm)

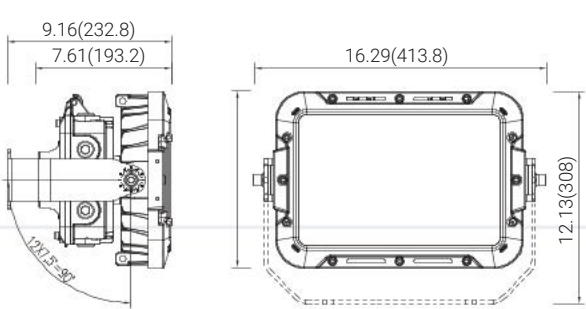


For 15L/20L/30L/40L

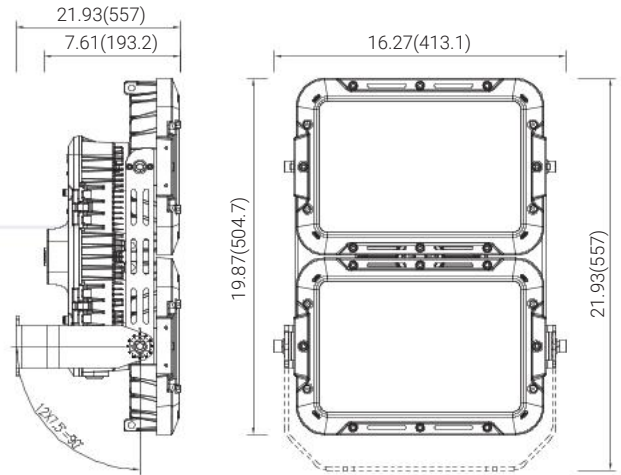


For 50L/60L/70L

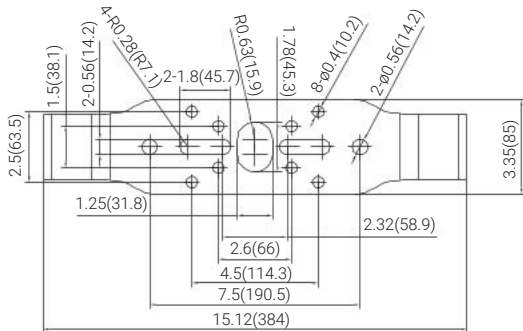
Pendant



For 15L/20L/30L/40L



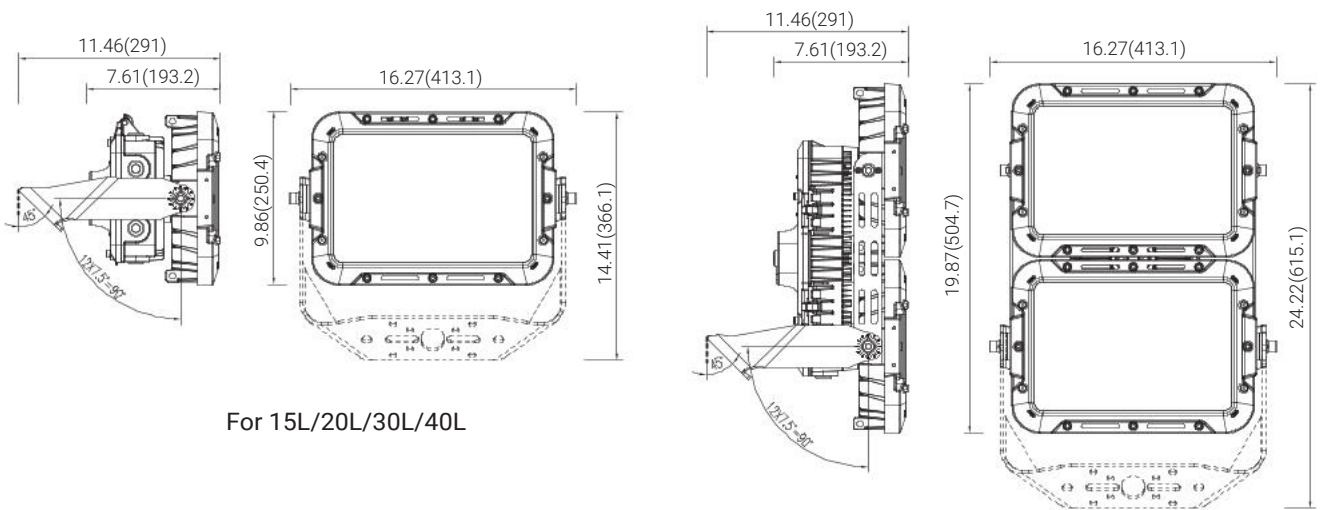
For 50L/60L/70L



Straight Yoke

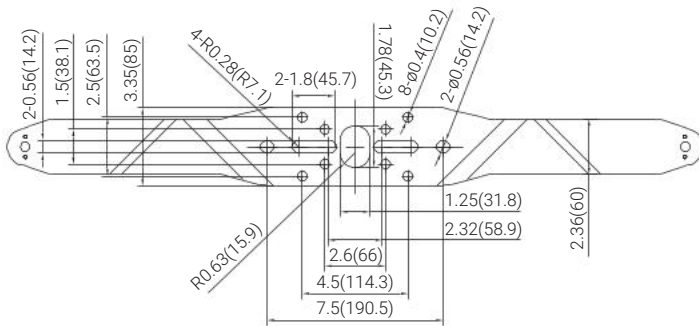
DIMENSIONS

unit: in(mm)

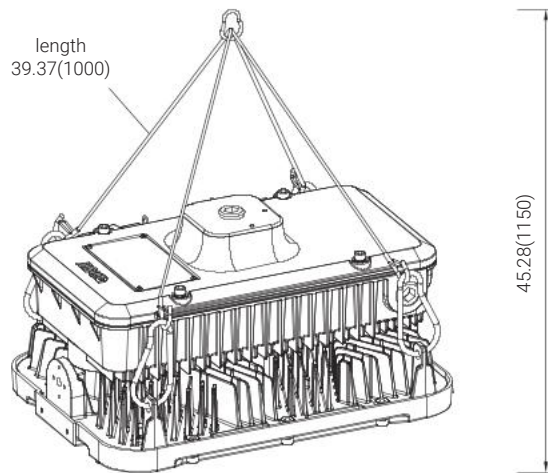


For 15L/20L/30L/40L

For 50L/60L/70L



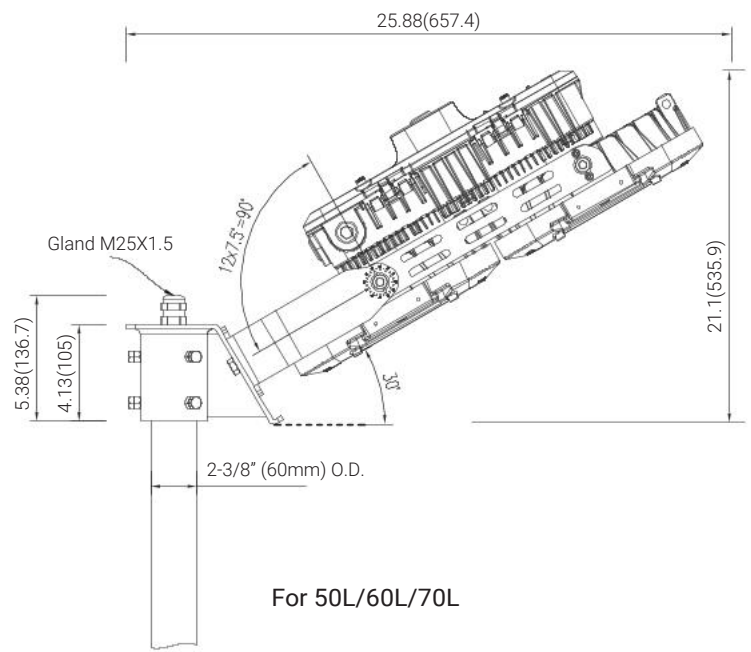
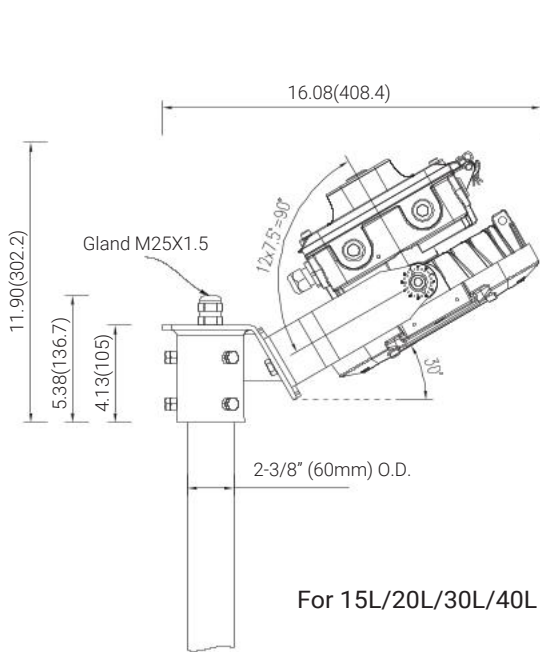
Angled Yoke



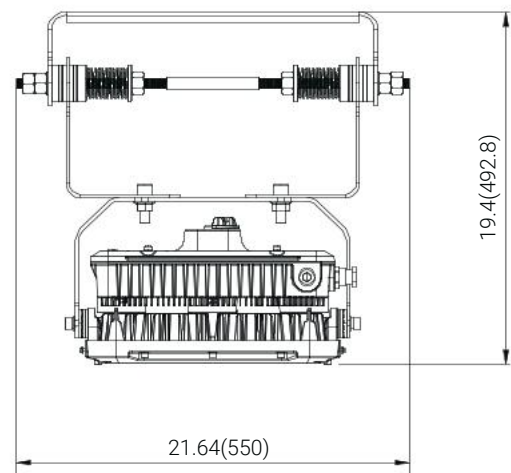
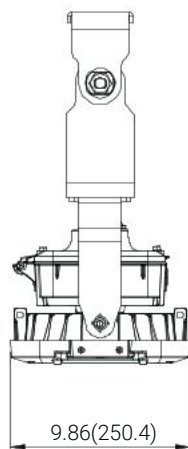
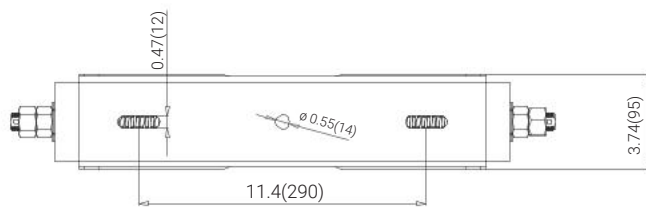
Chain

DIMENSIONS

unit: in(mm)



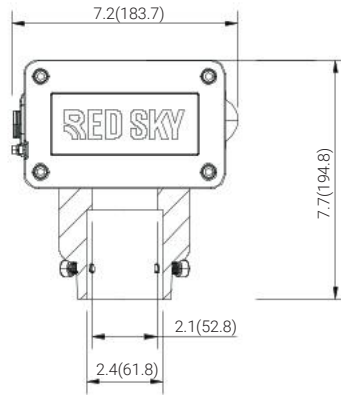
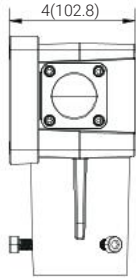
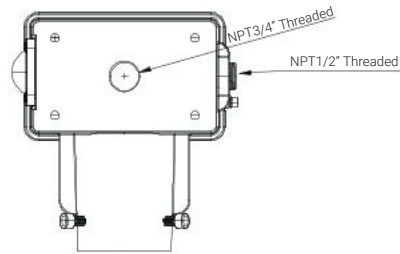
Stanchion



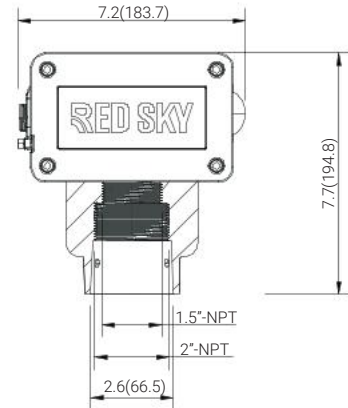
DPY02

DIMENSIONS

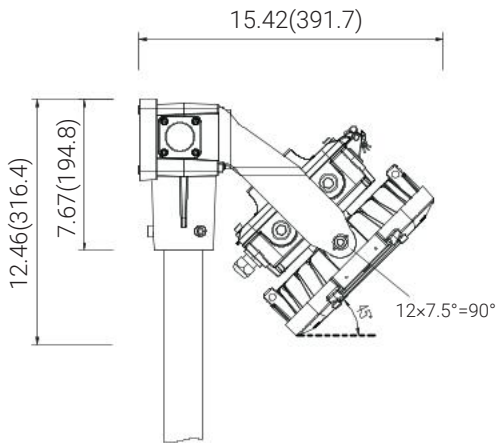
unit: in(mm)



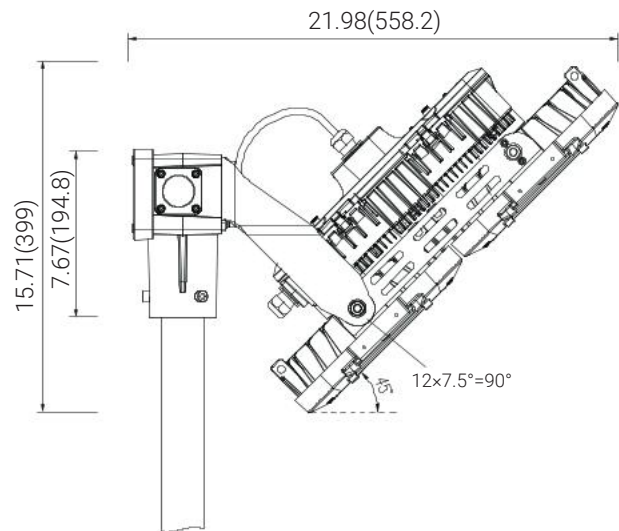
Non-threaded Pole



NPT-threaded Pole



For 15L/20L/30L/40L



For 50L/60L/70L

Slip-fit Junction Box

HAZARDOUS LOCATION LIGHTING BASICS

Atmosphere Groups

Temperature Classification

| Substance | Hazard Class | Division Groups | Zone Groups | Max. Surface Temperatures | NEC® 500 CEC® | NEC® 505/IEC-Group II |
|--|----------------------------------|----------------------|-------------------|------------------------------|----------------|-----------------------|
| Acetylene | Class I Flammable Gases | Group A | IIC | 450°C(842°F) | T1 | T1 |
| Hydrogen | | Group B | IIC | 300°C(572°F) | T2 | |
| Ethylene | | Group C | IIB | 280°C(536°F) | T2A | T2 |
| Propane | | Group D | IIA | 260°C(500°F) | T2B | |
| Methane | | Group D | IIA ² | 230°C(446°F) | T2C | |
| Combustible Metal Dusts | Class II Combustible Dusts | Group E ¹ | IIIC ³ | 215°C(419°F) | T2D | T3 |
| Combustible Carbonaceous Dust | | Group F | IIIB ³ | 200°C(392°F) | T3 | |
| Combustible Dusts not in Group E or F (Flour, Grain, Wood, Plastics, Chemicals) | | Group G | IIIB ³ | 180°C(256°F) | T3A | |
| Combustible Fibers and Flyings | | | | Class III Fibers and Flyings | Not Applicable | |
| | | | | 160°C(320°F) | T3C | T4 |
| | | | | 135°C(275°F) | T4 | |
| | | | | 120°C(248°F) | T4A | T4 |
| | | | | 100°C(212°F) | T5 | T5 |
| | | | | 85°C(185°F) | T6 | T6 |

Note 1: Group E is applicable to Class II, Division 1 only.
 Note 2: Methane is a Group IIA Gas for non-mining applications.
 Note 3: Group IIIA, IIIB and IIIC have not been adopted by the Canadian Electrical Code.

Classification of Divisions and Zones

| Hazard Level | Division Scheme | Zone Scheme | Definitions |
|----------------------------------|-----------------|------------------|--|
| Continuous Hazard | Division 1 | Zone 0 / Zone 20 | A place in which an explosive atmosphere is continually present |
| Intermittent Hazard | | Zone 1 / Zone 21 | A place in which an explosive atmosphere is likely to occur in normal operation |
| Hazard Under Abnormal Conditions | Division 2 | Zone 2 / Zone 22 | A place in which an explosive atmosphere is not likely to occur in normal operation, but may occur for short periods |

IP Codes

| 1st No. | Solid Objects |
|---------|--|
| 0 | No protection |
| 1 | Objects greater than 50mm |
| 2 | Objects greater than 12.5mm |
| 3 | Objects greater than 2.5mm |
| 4 | Objects greater than 1mm |
| 5 | Dust protected |
| 6 | Dust proof |
| 2nd No. | Liquids |
| 0 | No protection |
| 1 | Vertically dripping |
| 2 | Dripping up to 15° |
| 3 | Limited spraying |
| 4 | Splashing from all directions |
| 5 | Hosing jets from all directions |
| 6 | Strong hosing jets from all directions |
| 7 | Temporary immersion |
| 8 | Continuous immersion |
| 9 | Steam-jet cleaning |

IK Ratings

| IK Code | Level of Protection Achieved |
|---------|--------------------------------------|
| IK00 | Not protected |
| IK01 | Protected against 0.14 joules impact |
| IK02 | Protected against 0.2 joules impact |
| IK03 | Protected against 0.35 joules impact |
| IK04 | Protected against 0.5 joules impact |
| IK05 | Protected against 0.7 joules impact |
| IK06 | Protected against 1 joules impact |
| IK07 | Protected against 2 joules impact |
| IK08 | Protected against 5 joules impact |
| IK09 | Protected against 10 joules impact |
| IK10 | Protected against 20 joules impact |



+1 (262) 456-5002
contact@redskylighting.com
www.redskylighting.com

RED SKY LIGHTING LLC
9370 Pittsburgh Ave.
Rancho Cucamonga, CA 91730, USA

Disclaimer

All product information is subject to change without notice.
Please contact Red Sky Lighting or your sales representative for the most up-to-date specifications.