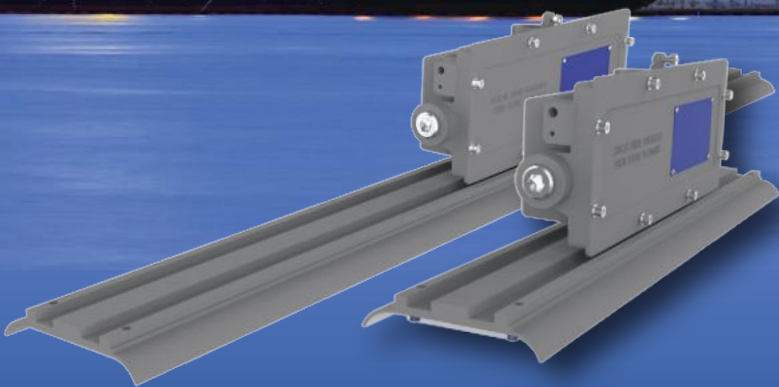


LINEAR HARSH SERIES

LED LIGHTING FOR HARSH INDUSTRIAL ENVIRONMENTS



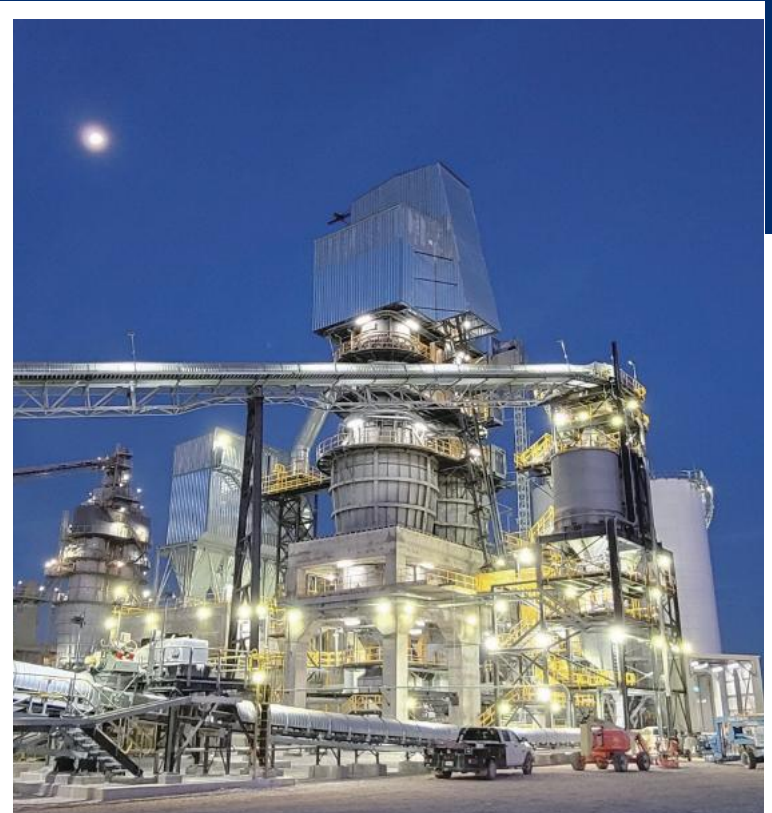
Reliable. Durable. Efficient.
4,100 to 12,000 lumen models

RED SKY
SERIOUSLY SAFE LIGHTS™

ABOUT RED SKY LIGHTING

PIONEERING INDUSTRIAL ILLUMINATION FOR HARSH & HAZARDOUS CONDITIONS

- A leading manufacturer of premium LED lights for demanding work conditions
- Headquartered in California, products assembled in the USA
- Servicing global clients across 4 continents in metal processing, oil & gas, marine, manufacturing
- Renowned for quality, dependability, client care and uncompromising safety standards



WHY CHOOSE RED SKY

↳ SERIOUSLY SAFE LIGHTS

- Rigorously tested in our professional labs
- Surpassing industry certifications and safety protocols
- Crafted with highest grade components for maximum durability

↳ TOP-NOTCH SERVICES

- Team of experts for seamless support
- Energy audit services and lighting simulation services
- Hassle-free return policy and management

↳ FAST DELIVERY

- Majority of orders delivered within 14 days
- Same day shipping for products in stock
- Real-time order tracking for full transparency

↳ SUSTAINABLE SOLUTIONS

- High luminous efficacy LEDs for energy savings
- Conscious product design
- Recyclable materials for products and packaging



LINEAR HARSH SERIES



With its rugged copper-free aluminum construction, the Linear Harsh Series is built to perform in the most demanding industrial environments. Designed for durability, it withstands high temperatures, vibration, moisture, and dust—delivering long-lasting performance in corrosive or wet settings such as coastal facilities, processing plants, and utility areas.

Featuring a maintenance-free design, the Linear Harsh Series delivers over 147,000 hours of consistent light output at temperatures up to 149°F (65°C), and operates reliably in extreme cold down to -40°F (-40°C). Its 1-10V dimmable driver and high luminous efficacy of up to 151 lumens per watt help reduce energy costs while maintaining high-quality illumination.

Installation is streamlined with a built-in wiring compartment featuring three $\frac{3}{4}$ " NPT conduit entries and WAGO connectors. The Linear Harsh Series supports multiple mounting methods including suspended, wall, or surface configurations. An optional retrofit bracket allows for quick replacement of existing fixtures.

Backed by Red Sky Lighting's 10-year warranty, the Linear Harsh Series offers a durable, energy-efficient lighting solution built for harsh industrial applications.



LINEAR HARSH SERIES

ILLINOIS, USA

FEATURES

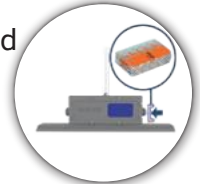


➤ Rugged Construction

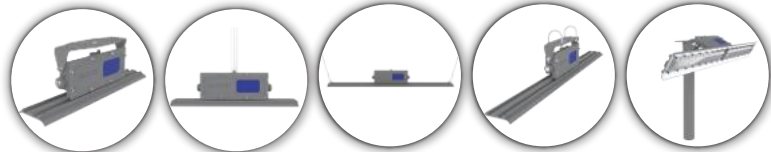
Built to withstand extreme temperatures, vibration, water and dust. Copper-free aluminum body and frame for corrosion-resistant

➤ Easy and Through Wiring

Built-in wiring compartment with three NPT 3/4" entries and WAGO 221 lever connectors for easy wiring



➤ Multiple Mounting Options



➤ Long Fixture Life

L70 >147,000 Hours@149°F
Maintenance-free and safe operation

RATINGS

- UL 1598 Wet Locations
- UL 1598A Marine Outside Type (Salt Water)
- IP66
- IK08
- Salt Spray 720 hrs (ASTM B117)
- NEMA 4X

CERTIFICATIONS

- UL 1598
- UL 1598A
- CSA C22.2 NO. 250.0
- DLC Standard*
- FCC Part 15, Subpart B

* Not all product variations listed on this page are DLC qualified. Visit www.designlights.org/search to confirm qualification. DLC available with CRI 80 models only.

TECHNICAL PARAMETERS

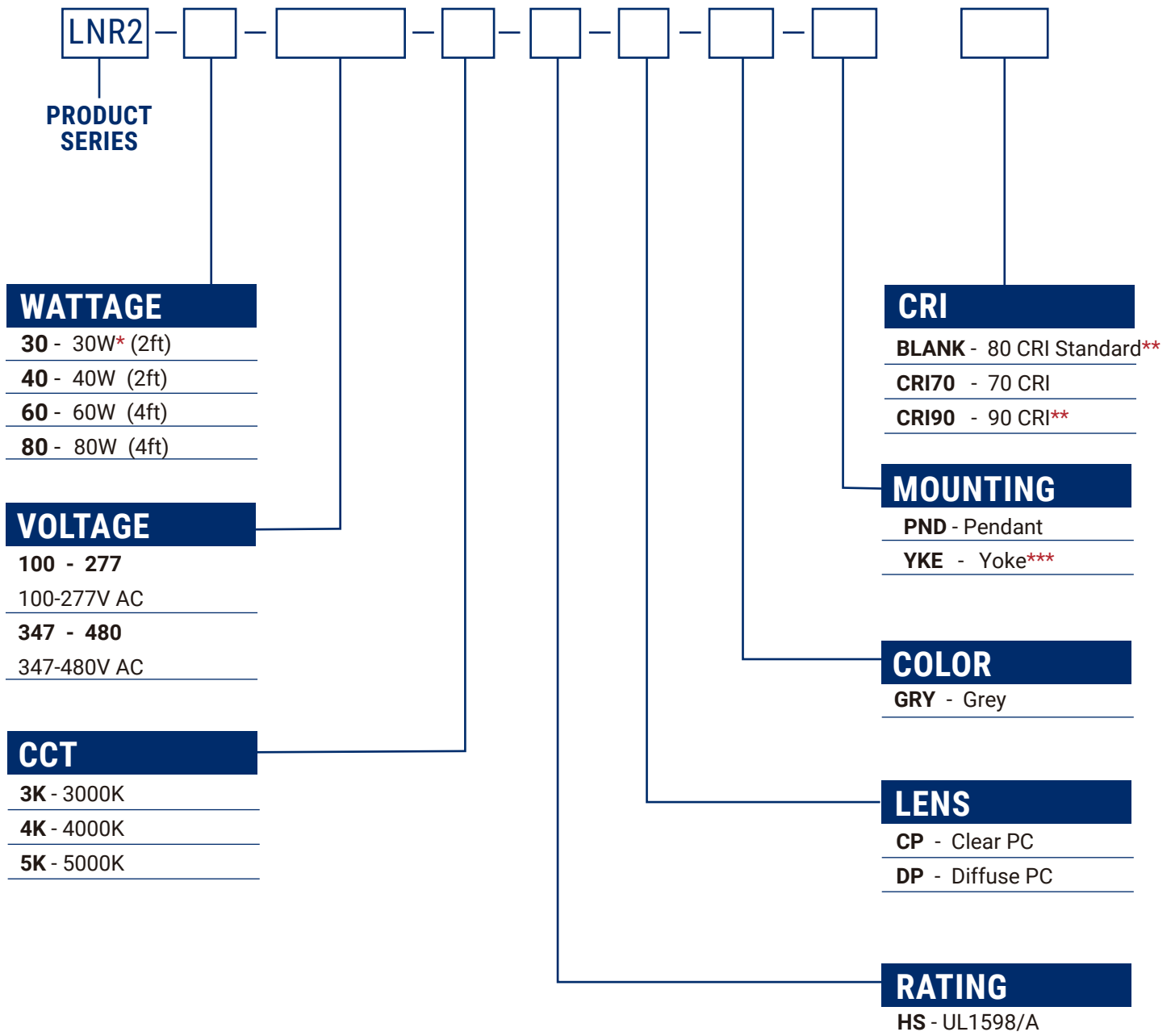
Specification	LNR2-30	LNR2-40	LNR2-60	LNR2-80
Electrical Parameters				
Power	30W	40W	60W	80W
Rated Input Current(120V AC)	0.277A	0.370A	0.555A	0.740A
Rated Input Current(277V AC)	0.120A	0.160A	0.240A	0.320A
Rated Input Current(347V AC)	/	0.128A	0.192A	0.256A
Rated Input Current(480V AC)	/	0.092A	0.138A	0.185A
Voltage/Frequency	100-277V AC, 347-480V AC 50/60Hz			
Power Factor	≥0.90			
THD	<20%			
L70	147,000 hrs@149°F			
Dimming*	0-10V, Range 10-100%			
Surge Protection	10KV			
Supply Wire	12-18AWG, Rated 90°C			
Warranty	LEDs: 10 years, Driver: 7 years			
Optical Parameters				
Lumen Output**	4,142Lm	5,403Lm	8,802Lm	11,536Lm
Lumen Efficacy**	151Lm/W			
Correlated Color Temperature (CCT)	3000K/4000K/5000K			
Color Rendering Index (CRI)	80 CRI			
Mechanical Parameters				
Housing Material	Copper-free (< 0.4%) aluminum			
Hardware	Stainless steel 316			
Lens Material	Polycarbonate			
Mounting Options	Pendant, Yoke, Chain, Pole, Stanchion			
Product Weight	11.0lbs/5.0kg		14.68lbs/6.66kg	
Package Weight	13.1lbs/6.0kg		16.78lbs/7.66kg	
Cable Entry	(3) 3/4" NPT			
Product Dimensions(L×W×H)	23.6×5.0×6.6in(600×127×168mm)		47.2×5.0×6.6in(1200×127×168mm)	
Package Dimensions(L×W×H)	26.4×5.9×7.9in(670×150×200mm)		50.4×6.3×8.3in(1280×160×210mm)	
Environmental Parameters				
Ambient Operating Temperature	-40°F ~ 149°F (-40°C ~ 65°C)			
EPA wind rating (FT2)	1.463(Yoke), 1.448(Stanchion)		1.972(Yoke), 1.957(Stanchion)	

* LNR2-40-347-480V Dimming Unavailable

** Value calculated based on 5000K,80 CRI and Clear PC, varies to different spec.
70 CRI & 90 CRI optional, DLC available with 80 CRI only.

ORDERING INFORMATION

EXAMPLE: LNR2-40-100-277-5K-CP-GRY-PND



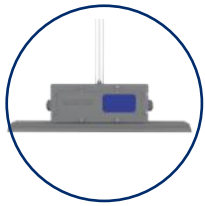
* Unavailable in 347-480V AC

** CRI90 expects longer leadtime

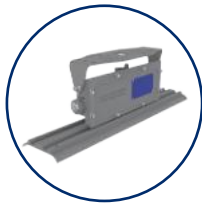
*** DLC available with 80 CRI only. Not all product variations listed on this page are DLC qualified. Visit www.designlights.org/search to confirm qualification.

*** LNR-YOKE Pre-installed

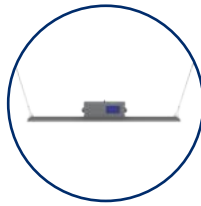
MOUNTING ACCESSORIES



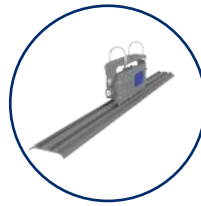
Pendant



Yoke



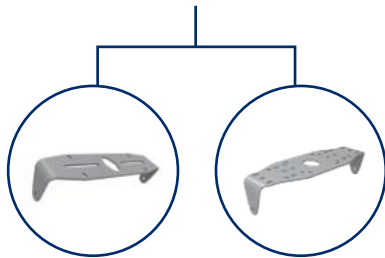
Chain



Pipe clamp

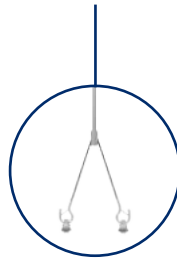


Stanchion



LNR-YOKE

LNR-YOKE P



CHAIN01



CLAMP01/02



STAN01

Mounting Method	PN	Description	MPN Code
Yoke	LNR-YOKE	Yoke Mount, SUS304, Powder-Coated Grey RAL 7037	210010009
	LNR-YOKE P*	Yoke Plus Mount, SUS304, Powder-Coated Grey RAL 7037	210010041
Chain	CHAIN01	Chain Hang Kit, SUS304	210100110
Pipe clamp	CLAMP01**	Pipe Clamp Kit for Round Pole 1-7/8 inch OD (48 mm), SUS304	210010011
	CLAMP02**	Pipe Clamp Kit for Round Pole 2-3/8 inch OD (60 mm), SUS304	210010010
Stanchion	STAN01**	Slip-Fit Stanchion Mount Kit for 2 inch Diameter (2-3/8 inch OD, 60mm OD) Poles, Non-Threaded, SUS304, Powder-Coated Grey RAL 7037	210010031

* Retrofit Bracket Compatibility Chart

For customers trying to retrofit an existing fixture, use the table below as a guide to select the best bracket to suit your need

Manufacturer	Part Number	Retrofit Yoke
Crouse Hinds	DP057MTK	✓
Dialight	LTXW4	✓
	LTXW4LP	✓
AZZ™ Rig-A-Lite™	53050	✓
Appleton	RMLSB	✓

** Requires A Yoke Mount

OTHER ACCESSORIES

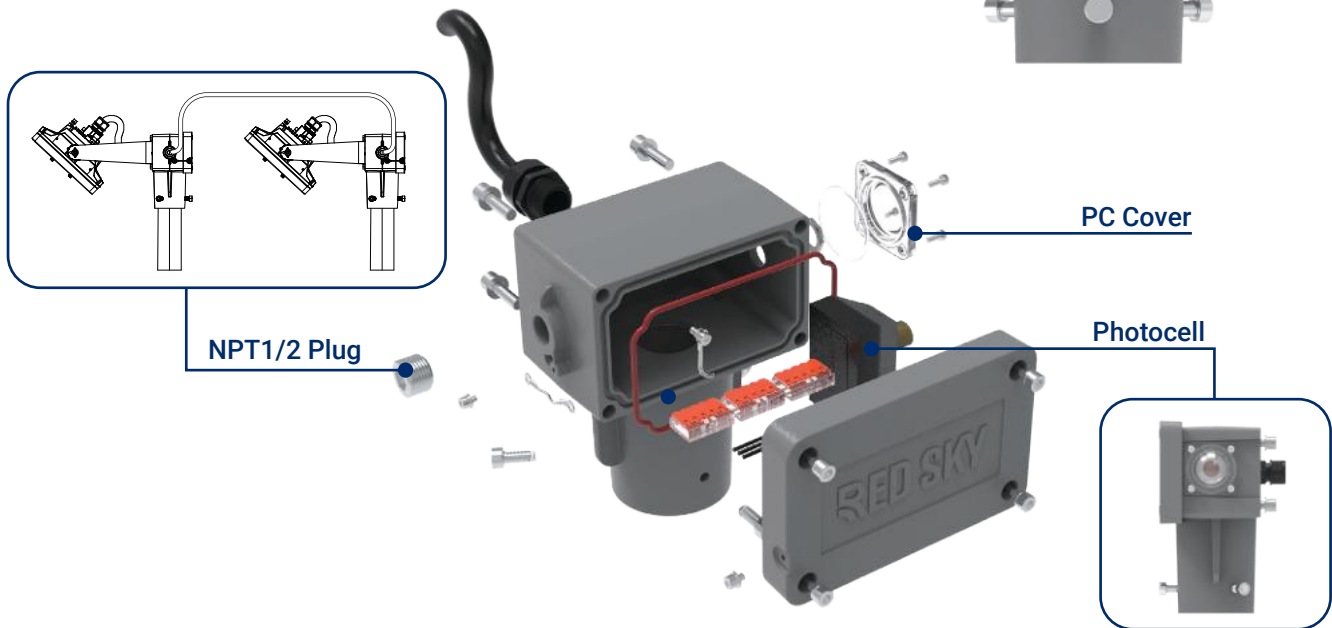


SFCB03

PN	Description	MPN Code
SFCB03	Safety Cable Kit, SUS304	210010012
GLCO-03	3 ft Cord (SOOW 14 AWG × 3, 105 degrees Celsius, 600V) with Cable Gland	210010098
GLCO-10	10 ft Cord (SOOW 14 AWG × 3, 105 degrees Celsius, 600V) with Cable Gland	210010099

SLIP-FIT JUNCTION BOX

The **Junction Box** is a multi-piece assembly featuring a copper-free, cast-aluminum housing, front cover, and cable gland. The design accommodates both stanchion installation and other mounting options. It is compatible with 2" (2 3/8" OD) and 1.5" (1.9" OD) poles, both NPT-threaded and non-threaded.



FEATURES

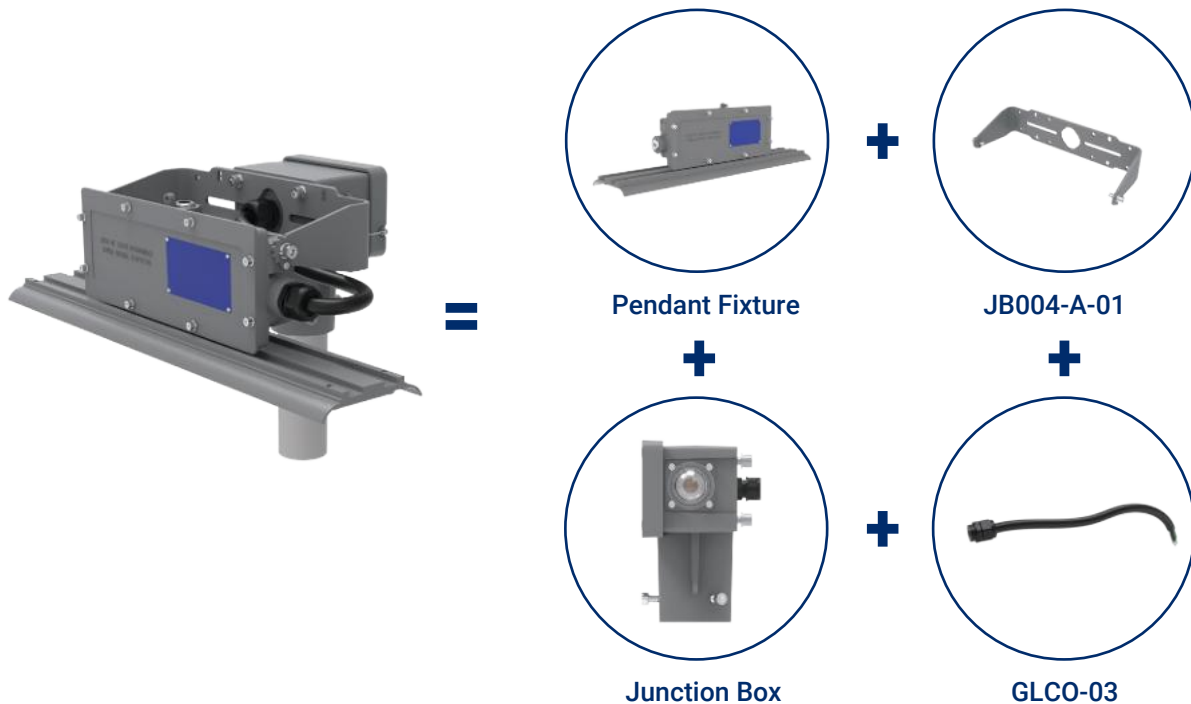
- Weather-resistant finish suitable for wet locations and marine environments
- WAGO 211 lever connectors (5-pole, UL/CSA, 18-12 AWG) for easy, hassle-free wiring
- Wiring access cover with captive screws and a rear hub featuring NPT 1/2" threads for daisy-chain wiring
- Shock and vibration-resistant design

CERTIFICATIONS & RATINGS

- UL1598
- UL1598A
- CSA C22.2 NO. 250.0
- UL 1598 Wet Locations
- UL 1598A Marine Outside Type (Salt Water)
- IP66
- IK10
- Salt Spray 720 hrs (ASTM B117)

SLIP-FIT JUNCTION BOX

INSTALLATION EXAMPLE



ORDERING INFORMATION

Part Number	Description	MPN Code
JB01	1.5 inch (1.9 inch OD) and 2 inch (2-3/8 inch OD) NPT Threaded Slip-Fit Junction Box	210100116
JB02-P	1.5 inch (1.9 inch OD) and 2 inch (2-3/8 inch OD) NPT Threaded Slip-Fit Junction Box + Sensor (120V)	210100117
JB03-P	1.5 inch (1.9 inch OD) and 2 inch (2-3/8 inch OD) NPT Threaded Slip-Fit Junction Box + Sensor (208-277V)	210100118
JB04	1.5 inch (1.9 inch OD) and 2 inch (2-3/8 inch OD) Non-Threaded Slip-Fit Junction Box	210100119
JB05-P	1.5 inch (1.9 inch OD) and 2 inch (2-3/8 inch OD) Non-Threaded Slip-Fit Junction Box + Sensor (120V)	210100120
JB06-P	1.5 inch (1.9 inch OD) and 2 inch (2-3/8 inch OD) Non-Threaded Slip-Fit Junction Box + Sensor (208-277V)	210100121
JB013-A-01	BLK2 Custom Bracket Assembly	210010056
GLCO-03	3 ft Cord (SOOW 14 AWG × 3, 105 degrees Celsius, 600V) with Cable Gland	210010098

REPLACEMENT PARTS (ORDERED SEPARATELY)

Part Number	Description	MPN Code
LNR2-30-100-277-Driver	Replacement Driver Kit for LNR2-30-100-277 Fixtures	303010042
LNR2-40-100-277-Driver	Replacement Driver Kit for LNR2-40-100-277 Fixtures	303010043
LNR2-60-100-277-Driver	Replacement Driver Kit for LNR2-60-100-277 Fixtures	303010044
LNR2-80-100-277-Driver	Replacement Driver Kit for LNR2-80-100-277 Fixtures	303010045
LNR2-40-347-480-Driver	Replacement Driver Kit for LNR2-40-347-480 Fixtures	303010046
LNR2-60-347-480-Driver	Replacement Driver Kit for LNR2-60-347-480 Fixtures	303010047
LNR2-80-347-480-Driver	Replacement Driver Kit for LNR2-80-347-480 Fixtures	303010048
CP004-A-01	Replacement Clear PC Lens for LNR2, LNR EM, LLP, LNH	303030012
DP004-A-01	Replacement Diffuse PC Lens for LNR2, LNR EM, LLP, LNH	303030013

PN	Wattage (W)	CCT	CRI	Beam	Lens	Lumen Output (Lm)	Efficiency (Lm/W)
----	-------------	-----	-----	------	------	-------------------	-------------------

Voltage 100-277VAC 80 CRI • STANDARD

LNR2-30-100-277-5K-HS-CP-GRY-YKE	30	5000K	80	110°	Clear PC	4,142	143
LNR2-30-100-277-5K-HS-DP-GRY-YKE	30	5000K	80	110°	Diffuse PC	3,736	129
LNR2-40-100-277-5K-HS-CP-GRY-YKE	40	5000K	80	110°	Clear PC	5,403	141
LNR2-40-100-277-5K-HS-DP-GRY-YKE	40	5000K	80	110°	Diffuse PC	4,864	127
LNR2-60-100-277-5K-HS-CP-GRY-YKE	60	5000K	80	110°	Clear PC	8,802	151
LNR2-60-100-277-5K-HS-DP-GRY-YKE	60	5000K	80	110°	Diffuse PC	8,195	136
LNR2-80-100-277-5K-HS-CP-GRY-YKE	80	5000K	80	110°	Clear PC	11,536	146
LNR2-80-100-277-5K-HS-DP-GRY-YKE	80	5000K	80	110°	Diffuse PC	10,600	132

Voltage 100-277VAC 70 CRI

LNR-30-100-277-5K-HS-CP-GRY-YKE CRI70	30	5000K	70	110°	Clear PC	4,426	152
LNR-30-100-277-5K-HS-DP-GRY-YKE CRI70	30	5000K	70	110°	Diffuse PC	3,949	136
LNR-40-100-277-5K-HS-CP-GRY-YKE CRI70	40	5000K	70	110°	Clear PC	5,795	151
LNR-40-100-277-5K-HS-DP-GRY-YKE CRI70	40	5000K	70	110°	Diffuse PC	5,171	135
LNR-60-100-277-5K-HS-CP-GRY-YKE CRI70	60	5000K	70	110°	Clear PC	9,185	158
LNR-60-100-277-5K-HS-DP-GRY-YKE CRI70	60	5000K	70	110°	Diffuse PC	8,256	143
LNR-80-100-277-5K-HS-CP-GRY-YKE CRI70	80	5000K	70	110°	Clear PC	12,026	155
LNR-80-100-277-5K-HS-DP-GRY-YKE CRI70	80	5000K	70	110°	Diffuse PC	10,785	139

Voltage 100-277VAC 90 CRI

LNR-30-100-277-5K-HS-CP-GRY-YKE CRI90	30	5000K	90	110°	Clear PC	3,767	129
LNR-30-100-277-5K-HS-DP-GRY-YKE CRI90	30	5000K	90	110°	Diffuse PC	3,361	116
LNR-40-100-277-5K-HS-CP-GRY-YKE CRI90	40	5000K	90	110°	Clear PC	4,932	129
LNR-40-100-277-5K-HS-DP-GRY-YKE CRI90	40	5000K	90	110°	Diffuse PC	4,401	115
LNR-60-100-277-5K-HS-CP-GRY-YKE CRI90	60	5000K	90	110°	Clear PC	7,816	134
LNR-60-100-277-5K-HS-DP-GRY-YKE CRI90	60	5000K	90	110°	Diffuse PC	7,026	122
LNR-80-100-277-5K-HS-CP-GRY-YKE CRI90	80	5000K	90	110°	Clear PC	10,234	132
LNR-80-100-277-5K-HS-DP-GRY-YKE CRI90	80	5000K	90	110°	Diffuse PC	9,178	118

347–480Vac models deliver the same lumen output as the 100–277Vac models.

This table lists only selected lumen packages. For additional model parameters, please contact our sales team.

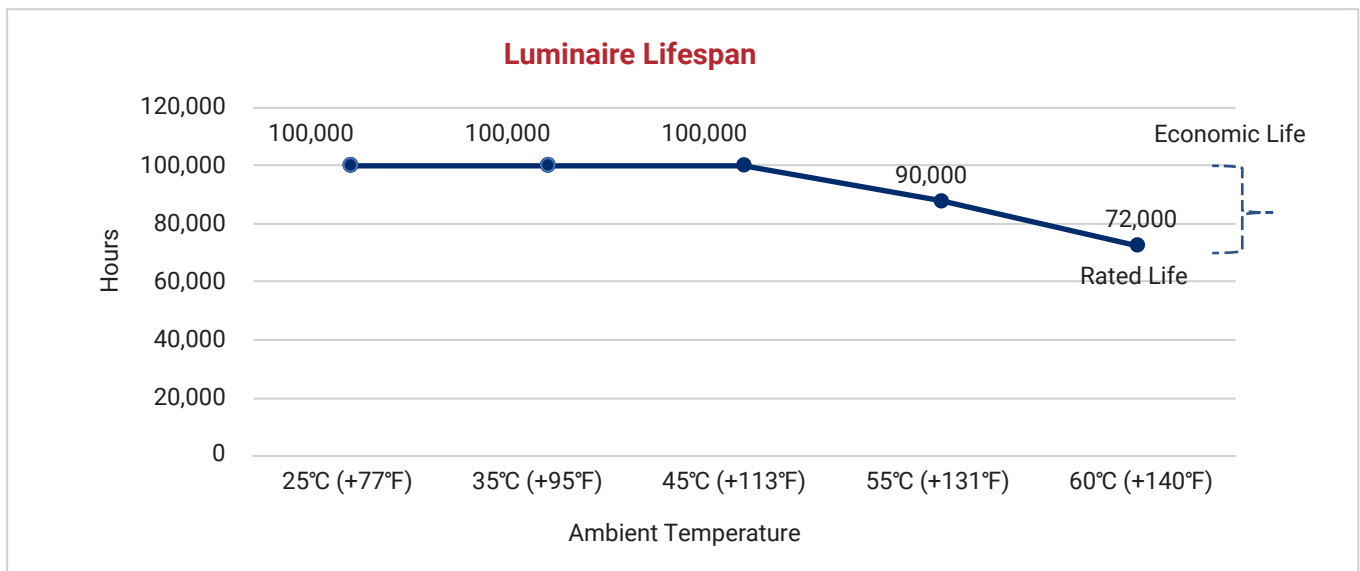
Note: LXX# = nominal lumens. Verify lumen package before ordering.

LUMEN MAINTENANCE

Hours Ambient	0	15,000	30,000	45,000	60,000	75,000	90,000	100,000	150,000
25°C	100%	98%	95%	92%	89%	87%	84%	82%	74%
35°C	100%	98%	95%	92%	89%	87%	84%	82%	74%
45°C	100%	97%	95%	92%	89%	86%	83%	82%	73%
55°C	100%	97%	94%	91%	88%	85%	82%	81%	72%
65°C	100%	97%	94%	91%	87%	84%	81%	79%	71%

LUMINAIRE LIFESPAN

Ambient Temperature	Luminaire Lifespan (Hours)	Rated Service Life - Years (24/7 Operation)	Rated Service Life - Years (12/7 Operation)
25°C (+77°F)	100,000	11	23
35°C (+95°F)	100,000	11	23
45°C (+113°F)	100,000	11	23
55°C (+131°F)	90,000	10	21
65°C (+149°F)	72,000	8	16



Information shown for reference only and may vary by configuration.

A DIRECT RETROFIT FROM HID TO LED

The LNR series LED is easy to retrofit in the same configuration as your existing HID luminaires. For example, a 80-watt Linear (LNR2-80) delivers virtually the same illumination as its equivalent 250 watt Metal Halide luminaire while providing 80% reduction in energy costs and up to 147,000 hours of continuous operation.



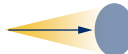

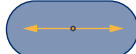



MODELS	Lumen Output (Lm)	MH Equivalent (W)	HPS Equivalent (W)
LNR2-30	4,142	100	100
LNR2-40	5,403	150	150
LNR2-60	8,802	200	250
LNR2-80	11,536	250	310

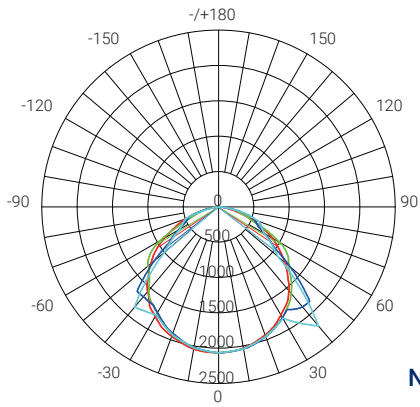
THE RIGHT BEAM PATTERN FOR YOUR APPLICATION

RSL optic package is engineered to deliver maximum footcandles efficiently where you need them, without wasted light or overspill.

RSL offers complimentary lighting design services for our products using industry-leading AGI32 software, tailored for projects of all sizes in harsh and hazardous locations. We assist you in determining the number of fixtures needed, the types of lights to use, their optimal placement, and how to maximize energy savings—all within budget.

Simply fill out the form (<https://www.redskyighting.com/lighting-design>) with a few key details, request a layout, and we'll bring your ideas to life within 2-5 business days.

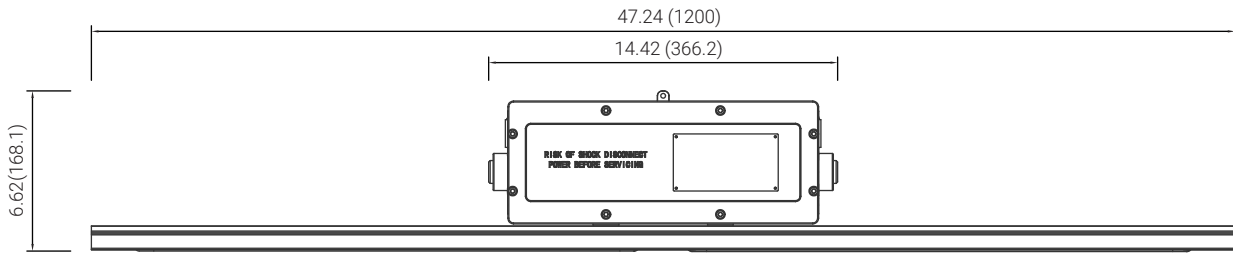
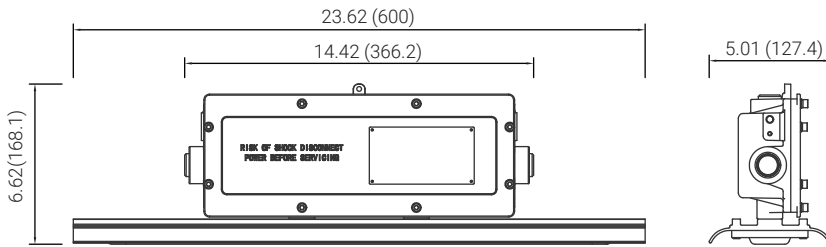
Beam	NEMA/IESNA Type	Beam Description	Beam Projection Distance
30°	NEMA 3	Medium Narrow	
60°	NEMA 4	Medium	
90°	NEMA 5	Medium Wide	
120°	NEMA 6	Wide	
T1	Type I	Asymmetric distributions, well suited for narrow areas, such as Conveyor belts, Aisleways, Catwalks, Loading docks and Tunnels.	
T2	Type II	Asymmetric distributions, well suited for narrow areas, such as roadways, paths and driveways.	
T3	Type III	Asymmetric distributions, well suited for site / area perimeters, wide roadways, and open areas.	
T5	NEMA 7 Type V (Square)	Very Wide: symmetrical pattern with excellent uniformity for large, open areas.	



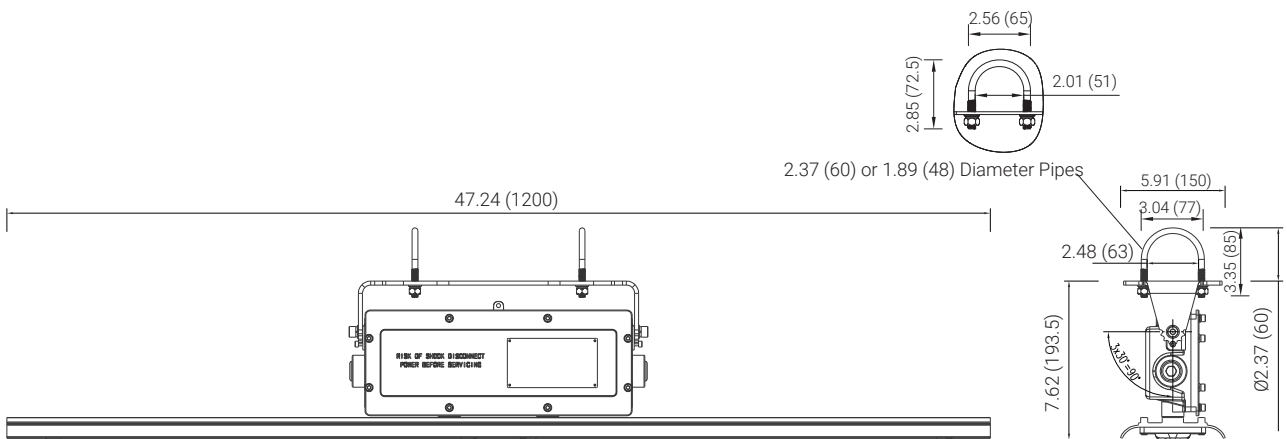
**110°
NEMA 6 - Wide**

DIMENSIONS

unit: in (mm)

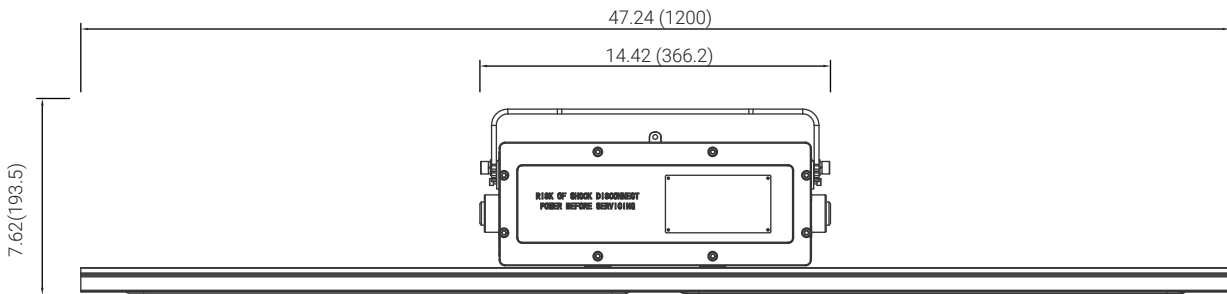
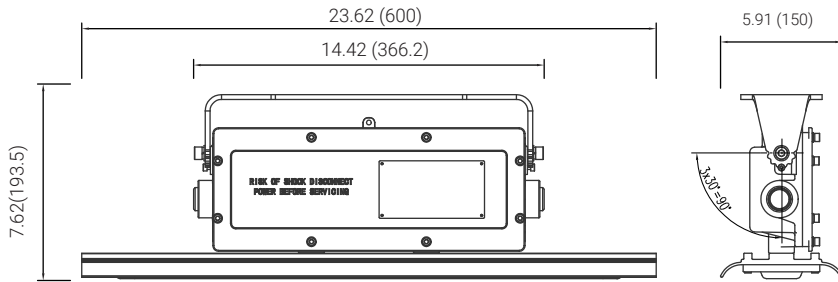


Pendant

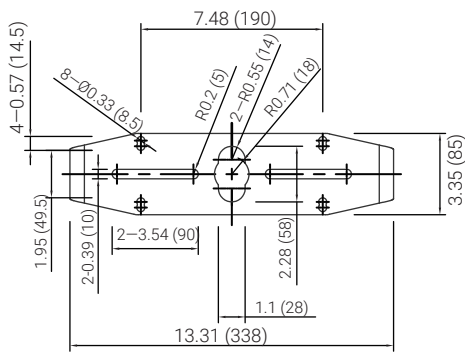


Pole

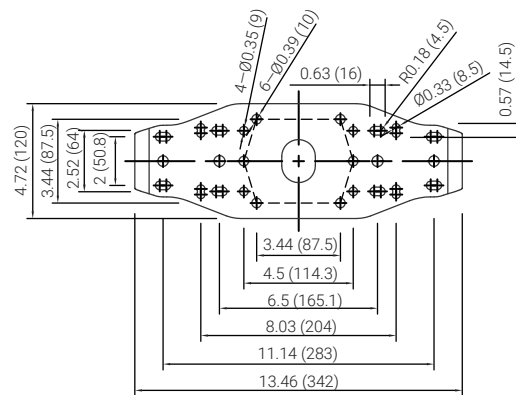
unit: in (mm)



Yoke

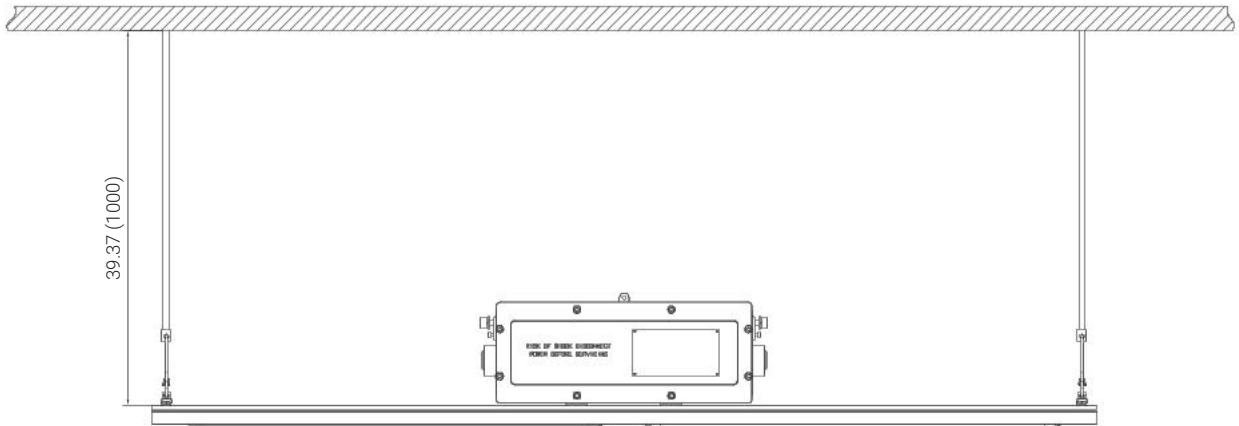


LNR-YOKE

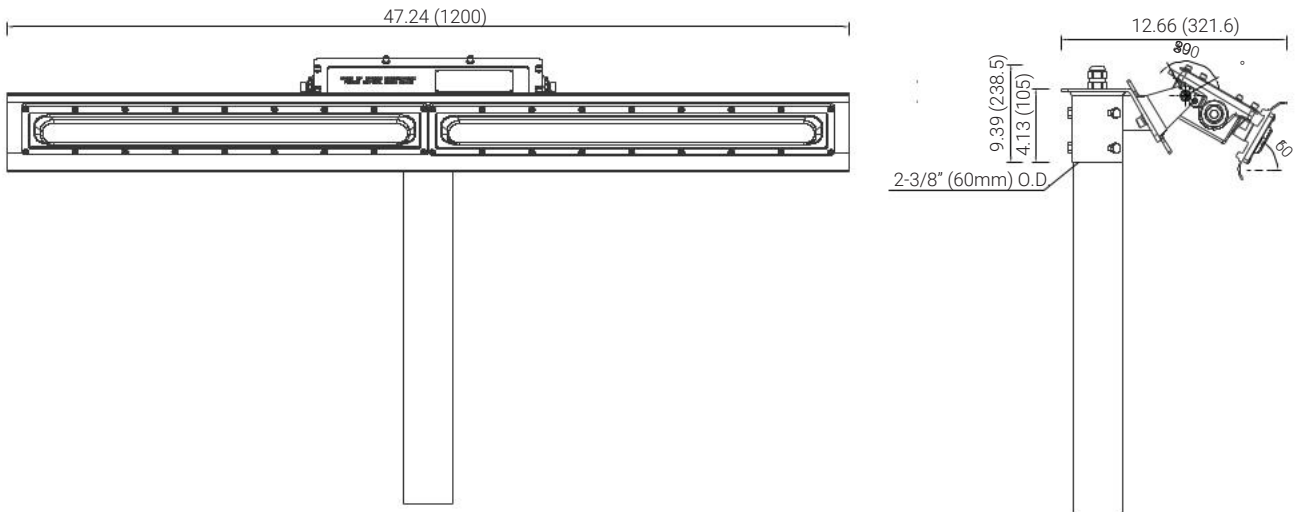


LNR-YOKE P

unit: in (mm)

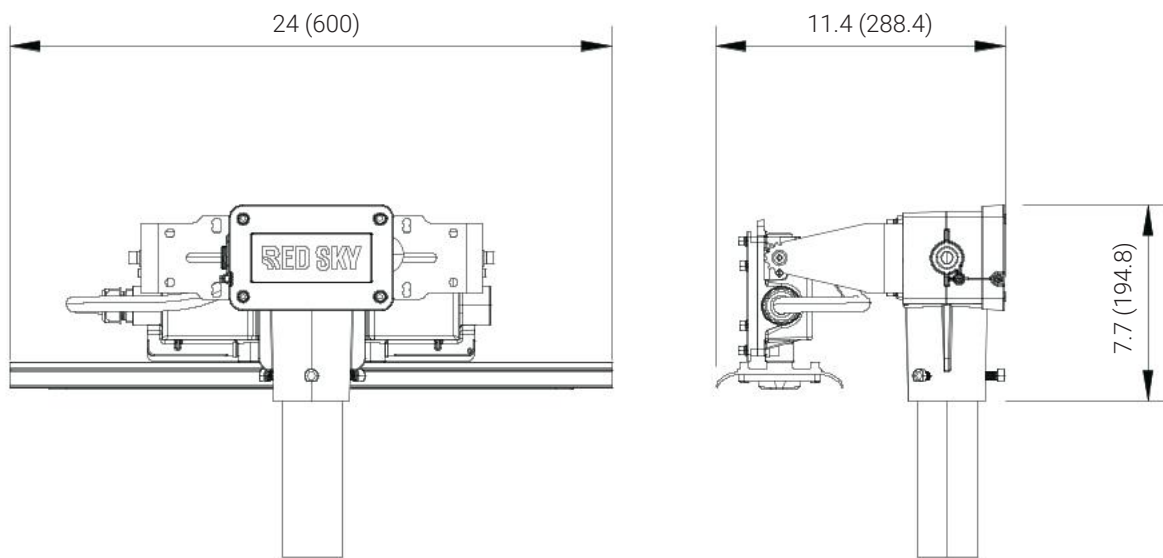
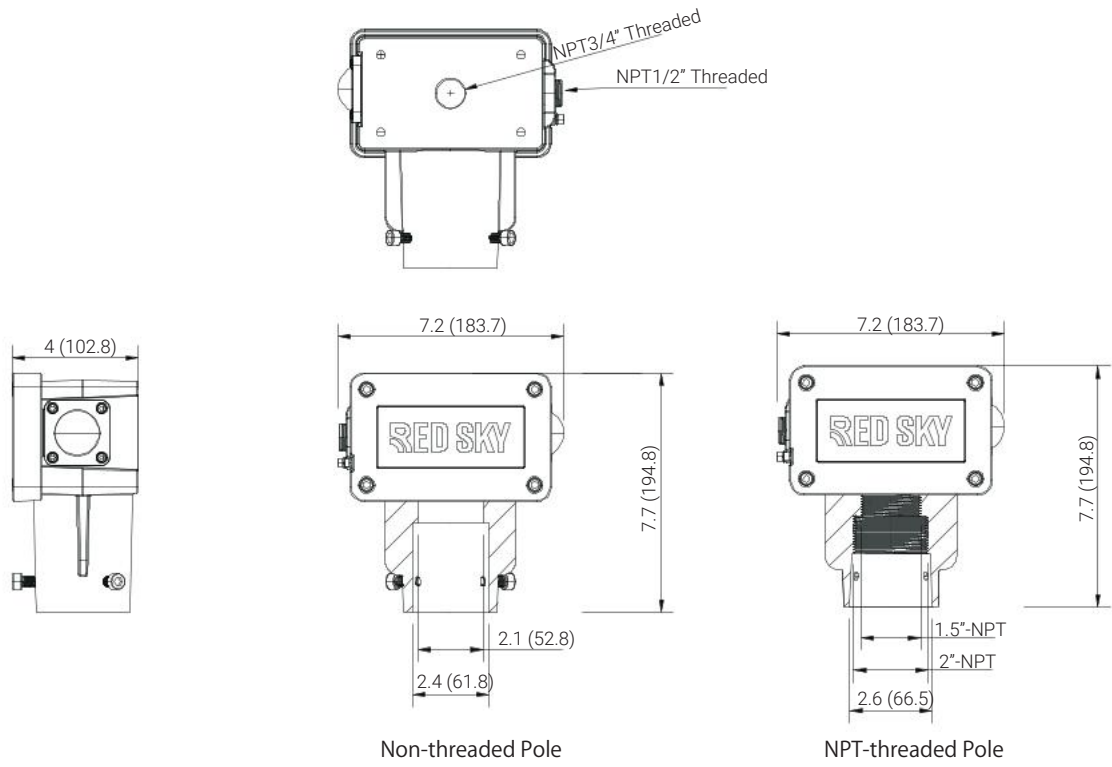


Chain



Stanchion

unit: in (mm)



Slip-fit Junction Box

Let's light your next project—
Email us at [**contact@redskylighting.com**](mailto:contact@redskylighting.com),
call us at **1 (262) 456-5002**
or visit [**www.redskylighting.com**](http://www.redskylighting.com) to get started.

Disclaimer

All product information is subject to change without notice.
Please contact Red Sky Lighting or your sales representative for the most up-to-date specifications.