

LINEAR HARSH SERIES

HARSH LOCATION LED LUMINAIRE



Reliable. Durable. Efficient.
4,000 to 15,000 lumen models



RED SKY
SERIOUSLY SAFE LIGHTS™

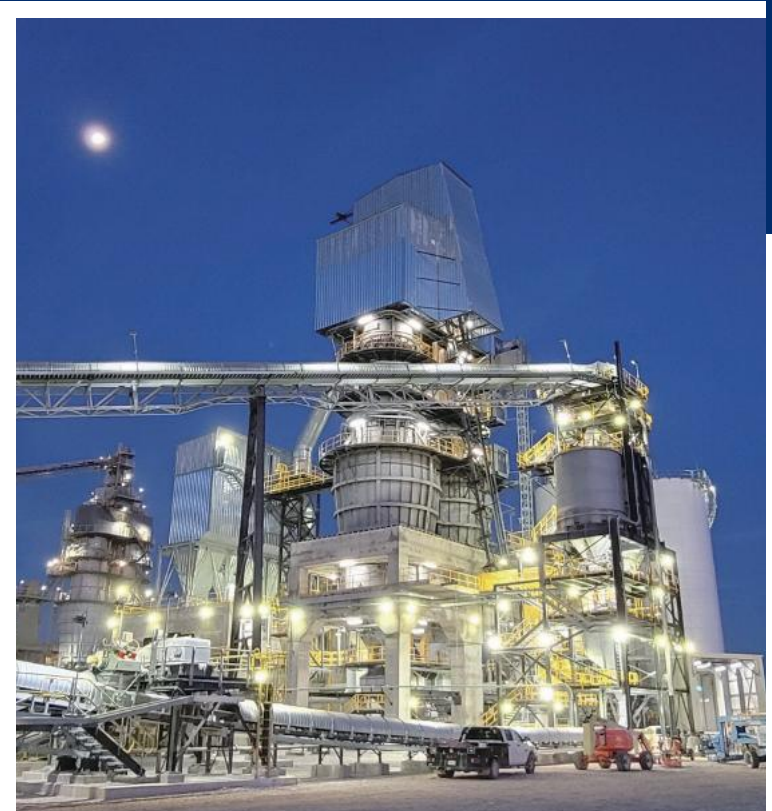
PIONEERING INDUSTRIAL ILLUMINATION FOR HARSH & HAZARDOUS CONDITIONS

A leading manufacturer of premium LED lights for demanding work conditions

Headquartered in California, products assembled in the USA

Servicing global clients across 4 continents in metal processing, oil & gas, marine, manufacturing

Renowned for quality, dependability, client care and uncompromising safety standards



WHY CHOOSE RED SKY

❧ SERIOUSLY SAFE LIGHTS

- Rigorously tested in our professional labs
- Surpassing industry certifications and safety protocols
- Crafted with highest grade components for maximum durability

❧ TOP-NOTCH SERVICES

- Team of experts for seamless support
- Energy audit services, lighting simulation services
- Hassle-free return policy and management

❧ FAST DELIVERY

- Majority of orders delivered within 14 days
- Same day shipping for products in stock
- Real-time order tracking for full transparency

❧ SUSTAINABLE SOLUTIONS

- High luminous efficacy LEDs for energy savings
- Conscious product design
- Recyclable materials for products and packaging



FEATURES



Rugged Construction

Heat sink designed to perform in high ambient temperatures up to +55°C and as low as -40°C.

Built to withstand extreme temperatures, vibration, water and dust.

Copper-free aluminum body and frame for corrosion resistant

Thermal Management

Safe and reliable heat transfer

Long Fixture Life

L70 >147,000 hrs@55°C

Maintenance-free and safe operation

RATINGS

IP66
IK10
Salt Spray 720 hrs (ISO 9227)

CERTIFICATIONS

UKCA
ROHS
CE LVD/EMC

TECHNICAL PARAMETERS

Specification	LNH-25	LNH-50	LNH-75	LNH-100
Electrical Parameters				
Power	25W	50W	75W	100W
Rated Input Current (220V AC)	0.127A	0.253A	0.379A	0.505A
Voltage/Frequency	100-240V AC 50/60Hz			
Power Factor	≥0.90			
THD	<20%			
L70	147,000 hrs@55°C			
Surge Protection	L/N-FG 6KV, L-N 4KV			
Supply Wire	1mm ² -4mm ² , Rated 90°C			
Warranty	5 Years			
Optical Parameters				
Lumen Output*	4,089Lm	7,453Lm	11,313Lm	14,612Lm
Lumen Output(EM)*	EM12 - 12W (2,217Lm@90Mins)		EM12 - 12W (2,303Lm@90Mins)	
Lumen Efficacy*	150Lm/W			
Available Beam Angle	110°			
Correlated Color Temperature (CCT)	4000K/5700K/Red/Green/Blue/Amber			
Color Rendering Index (CRI)	Ra>70			
Mechanical Parameters				
Housing Material	Marine Grade Aluminium			
Hardware	Stainless steel 316			
Lens Material	Polycarbonate			
Mounting Options	Low Ceiling, High Ceiling, Wall, Eyebolt, Pole			
Product Weight	13.9lbs/6.3kg		21lbs/9.5kg	
Package Weight	10lbs/7.3kg		23.1lbs/10.5kg	
Cable Entry	(4) M20/M25			
Product Dimensions(L×W×H)	29.4×6.2×4.4in (747×158×111 mm)		52.4×6.2×4.4in (1332×158×111 mm)	
Package Dimensions(L×W×H)	31.9×8.7×6.7in (809×220×170 mm)		54.7×8.7×6.7in (1388×220×170 mm)	
Environmental Parameters				
Ambient Operating Temperature	-40°C~+55°C, 0°C~+50°C(Emergency)			
Ambient Operating Humidity	5%-95% RH			
Optimal Operating Temperature	25°C			
EPA wind rating (FT2/m2)	1.528/0.142		2.722/0.253	

* Value calculated based on 5700K and clear PC, varies to different spec.

ORDERING INFORMATION

EXAMPLE: LNH-50-100-240-57K-CP-EM12-M20



PRODUCT SERIES

WATTAGE

25 - 25W

50 - 50W

75 - 75W

100 - 100W

VOLTAGE

100 - 240

100-240V AC

CCT

57K - 5700K

4K - 4000K

RD - Red

GN - Green

BU - Blue

AM - Amber

CABLE ENTRIES

M20 - 4 X M20 X 1.5

M25 - 4 X M25 X 1.5

BATTERY

BLANK - Standard
(Non Emergency)

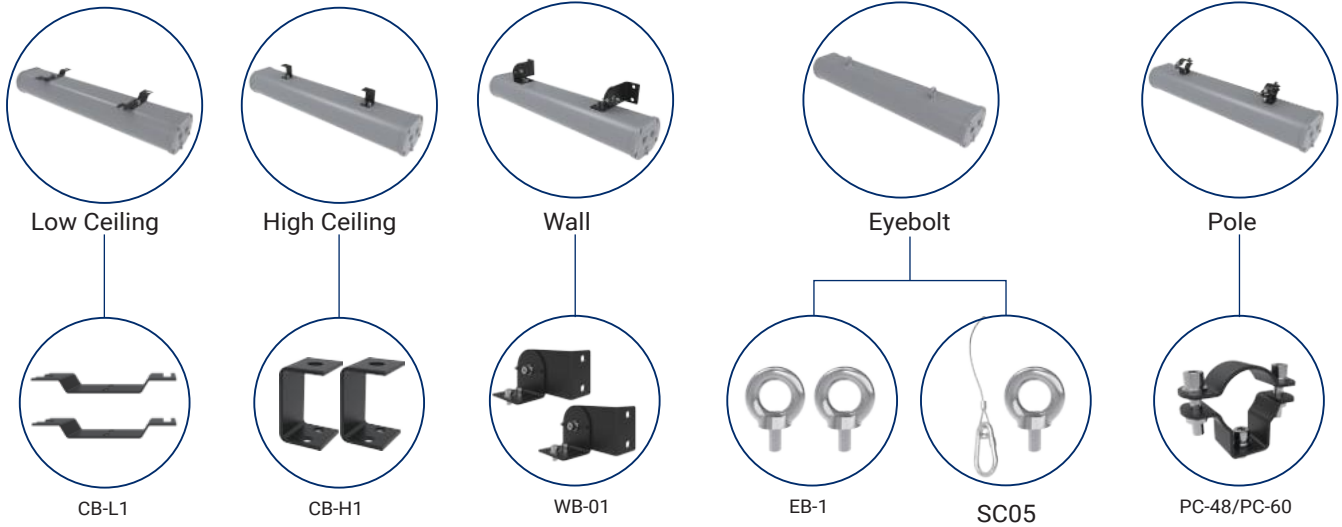
EM12 - 12W 90mins
(Emergency Standard)

LENS

CP - Clear PC

DP - Diffuse PC

MOUNTING ACCESSORIES



Mounting Method	PN	Description	MPN Code
Low Ceiling	CB-L1	Low Ceiling Mount Bracket, 1 Pair	210010017
High Ceiling	CB-H1	High Ceiling Mount Bracket, 1 Pair	210010018
Wall	WB-01	Wall Mount Swivel Bracket, 1 Pair	210010019
Eyebolt	EB-1	Eyebolt, 1 Pair	210100113
	SC05	Safety Cable Kit, SUS304	210100114
Pole	PC-48	40-51 mm Diameter Range SUS316 Pole Clamp, 1 Pair	210010020
	PC-60	54-62 mm Diameter Range SUS316 Pole Clamp, 1 Pair	210010021

REPLACEMENT PARTS (ORDERED SEPARATELY)

Part Number	Description	MPN Code
LNH-25-Driver	Replacement Driver Kit for LNH-25 Fixtures	303010096
LNH-50-Driver	Replacement Driver Kit for LNH-50 Fixtures	303010097
LNH-75-Driver	Replacement Driver Kit for LNH-75 Fixtures	303010098
LNH-100-Driver	Replacement Driver Kit for LNH-100 Fixtures	303010099
LNH-*-EM-Driver	Replacement Driver Kit for LNH-*-EM Fixtures	303010100
LNH-*-EM Battery	Replacement Battery for LNH-*-EM	303040006
CP004-A-01	Replacement Clear PC Lens for LNR2, LNR EM, LLP, LNH	303030012
DP004-A-01	Replacement Diffuse PC Lens for LNR2, LNR EM, LLP, LNH	303030013

LUMEN TABLE

Part Number	Wattage (W)	CCT	Lens	Lumen Output (Lm)	
Voltage 100-240V AC					
LNH-25-100-240-57K-CP-M20	25	5700K	Clear PC	4,089	164
LNH-25-100-240-57K-DP-M20	25	5700K	Diffuse PC	3,367	132
LNH-50-100-240-57K-CP-M20	50	5700K	Clear PC	7,453	152
LNH-50-100-240-57K-DP-M20	50	5700K	Diffuse PC	6,314	130
LNH-75-100-240-57K-CP-M20	75	5700K	Clear PC	11,313	151
LNH-75-100-240-57K-DP-M20	75	5700K	Diffuse PC	9,750	130
LNH-100-100-240-57K-CP-M20	100	5700K	Clear PC	10,294	155
LNH-100-100-240-57K-DP-M20	100	5700K	Diffuse PC	12,753	131

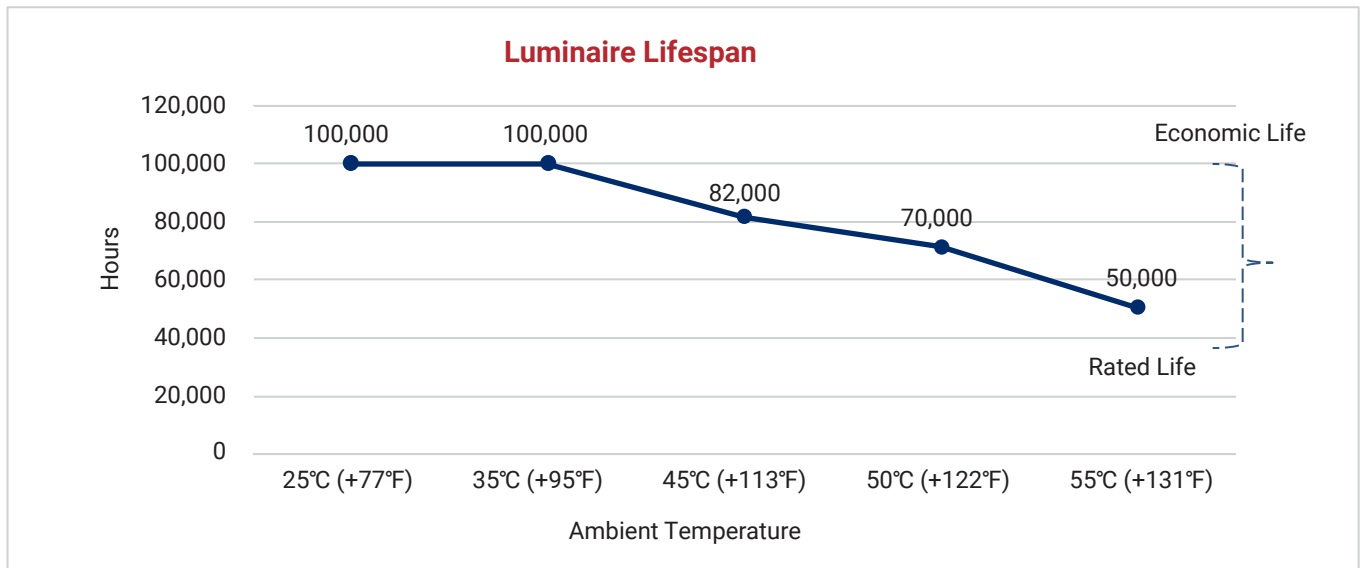
This table lists only selected lumen packages. For additional model parameters, please contact our sales team.
 Note: LXX# = nominal lumens. Verify lumen package before ordering.

LUMEN MAINTENANCE

Hours Ambient	0	15,000	30,000	45,000	60,000	75,000	90,000	100,000	150,000
25°C	100%	97%	93%	90%	87%	84%	81%	79%	70%
35°C	100%	97%	93%	90%	87%	84%	81%	79%	70%
45°C	100%	97%	93%	90%	87%	84%	81%	79%	70%
50°C	100%	97%	93%	90%	87%	84%	81%	79%	70%
55°C	100%	97%	93%	90%	87%	84%	81%	79%	70%

LUMINAIRE LIFESPAN

Ambient Temperature	Luminaire Lifespan (Hours)	Rated Service Life - Years (24/7 Operation)	Rated Service Life - Years (12/7 Operation)
25°C (+77°F)	100,000	11	23
35°C (+95°F)	100,000	11	23
45°C (+113°F)	82,000	9	19
50°C (+122°F)	70,000	8	16
55°C (+131°F)	50,000	6	11



Information shown for reference only and may vary by configuration.

A DIRECT RETROFIT FROM HID TO LED

The LNH series LED is easy to retrofit in the same configuration as your existing HID luminaires. For example, a 100-watt Linear Harsh (LNH-100) delivers virtually the same illumination as its equivalent 400 watt HPS luminaire while providing 75% reduction in energy costs and up to 150,000 hours of continuous operation.









MODELS	Lumen Output (Lm)	MH Equivalent (W)	HPS Equivalent (W)
LNH-25	4,089	100	150
LNH-50	7,453	200	225
LNH-75	11,313	250	310
LNH-100	14,612	350	400

THE RIGHT BEAM PATTERN FOR YOUR APPLICATION

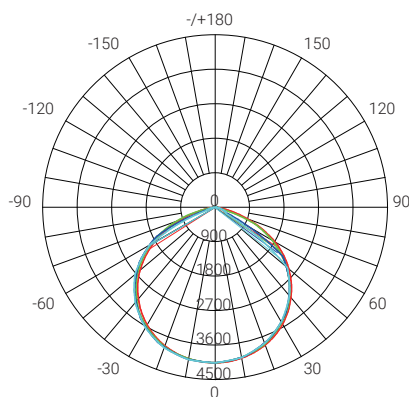
RSL optic package is engineered to deliver maximum footcandles efficiently where you need them, without wasted light or overspill.

RSL offers complimentary lighting design services for our products using industry-leading AGI32 software, tailored for projects of all sizes in harsh and hazardous locations. We assist you in determining the number of fixtures needed, the types of lights to use, their optimal placement, and how to maximize energy savings—all within budget.

Simply fill out the form (<https://dev.redskylighting.com/lighting-design>) with a few key details, request a layout, and we'll bring your ideas to life within 2-5 business days.

Beam	NEMA/IESNA Type	Beam Description	Beam Projection Distance
30°	NEMA 3	Medium Narrow	
60°	NEMA 4	Medium	
90°	NEMA 5	Medium Wide	
120°	NEMA 6	Wide	
T1	Type I	Asymmetric distributions, well suited for narrow areas, such as Conveyor belts, Aisleways, Catwalks, Loading docks and Tunnels.	
T2	Type II	Asymmetric distributions, well suited for narrow areas, such as roadways, paths and driveways.	
T3	Type III	Asymmetric distributions, well suited for site / area perimeters, wide roadways, and open areas.	
T5	NEMA 7 Type V (Square)	Very Wide: symmetrical pattern with excellent uniformity for large, open areas.	

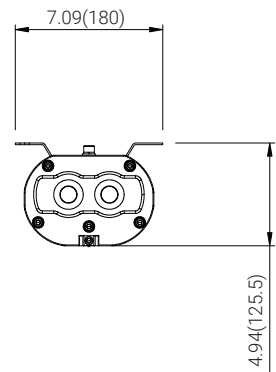
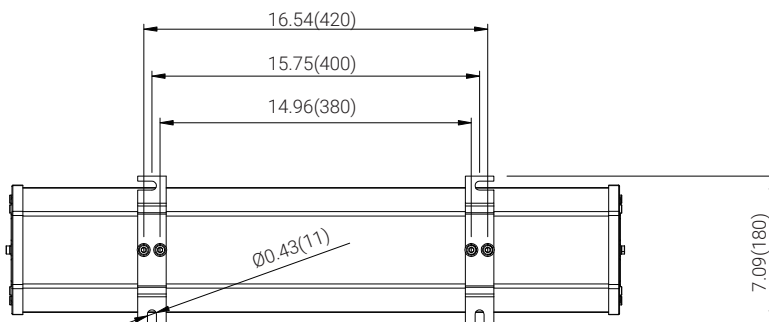
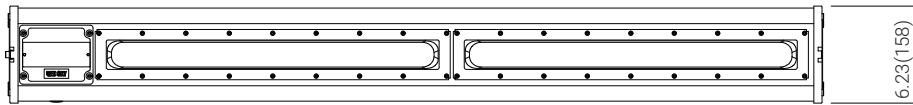
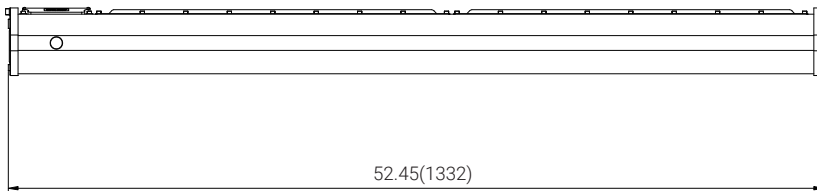
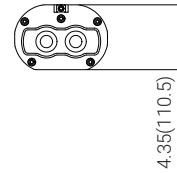
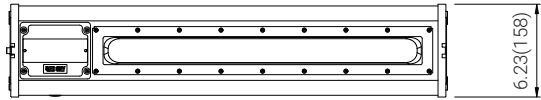
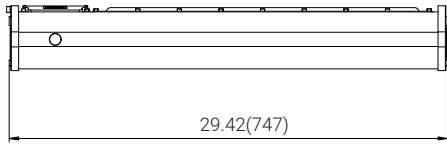
PHOTOMETRIC



110°

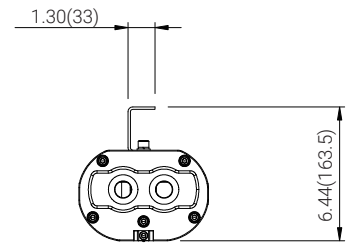
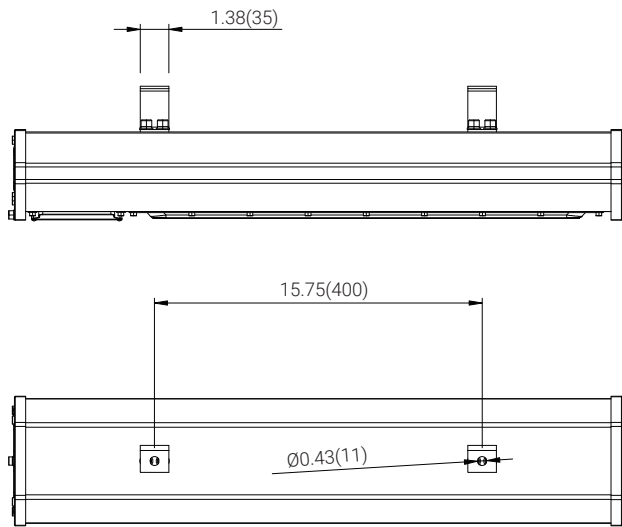
DIMENSIONS

unit: in(mm)

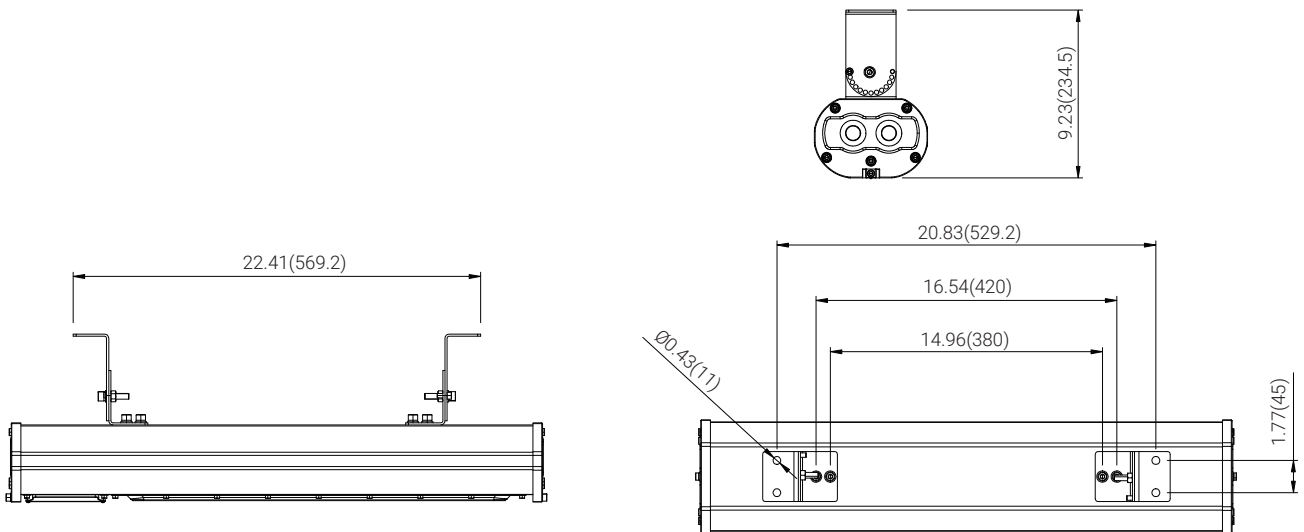


Low Ceiling

unit: in(mm)

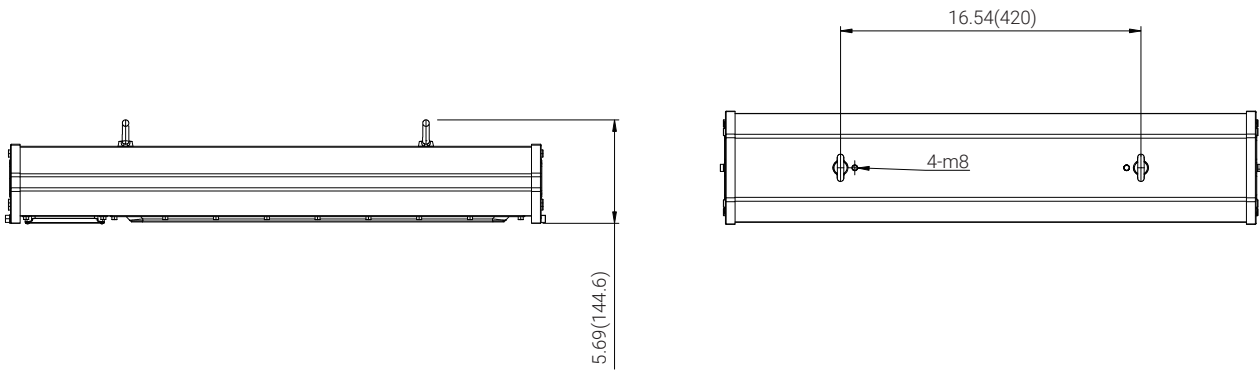


High Ceiling

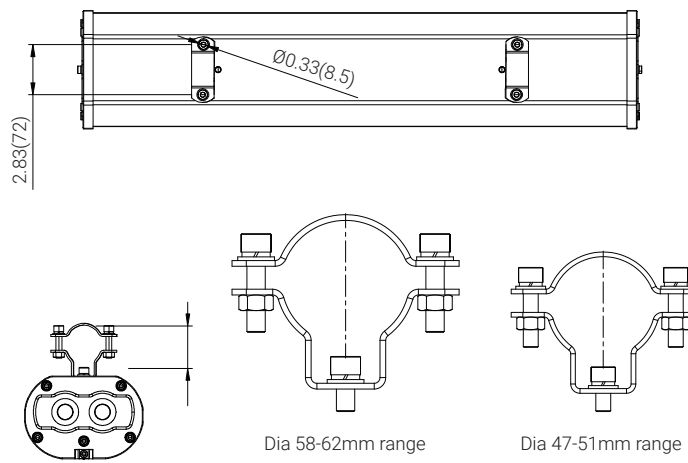


Wall

unit: in(mm)



Eyebolt



Pole

HAZARDOUS LOCATION LIGHTING BASICS

Atmosphere Groups

Temperature Classification

Substance	Hazard Class	Division Groups	Zone Groups	Max. Surface Temperatures	NEC® 500 CEC®	NEC® 505/IEC-Group II
Acetylene	Class I Flammable Gases	Group A	IIC	450°C(842°F)	T1	T1
Hydrogen		Group B	IIC	300°C(572°F)	T2	
Ethylene		Group C	IIB	280°C(536°F)	T2A	T2
Propane		Group D	IIA	260°C(500°F)	T2B	
Methane		Group D	IIA ²	230°C(446°F)	T2C	
Combustible Metal Dusts	Group E ¹	IIIC ³	215°C(419°F)	T2D		
Combustible Carbonaceous Dust	Class II Combustible Dusts	Group F	IIIB ³	200°C(392°F)	T3	T3
Combustible Dusts not in Group E or F (Flour, Grain, Wood, Plastics, Chemicals)		Group G	IIIB ³	180°C(256°F)	T3A	
Combustible Fibers and Flyings		Not Applicable	IIIA ³	165°C(329°F)	T3B	
				160°C(320°F)	T3C	
				135°C(275°F)	T4	T4
				120°C(248°F)	T4A	
				100°C(212°F)	T5	T5
				85°C(185°F)	T6	T6

Note 1: Group E is applicable to Class II, Division 1 only.
 Note 2: Methane is a Group IIA Gas for non-mining applications.
 Note 3: Group IIIA, IIIB and IIIC have not been adopted by the Canadian Electrical Code.

Classification of Divisions and Zones

Hazard Level	Division Scheme	Zone Scheme	Definitions
Continuous Hazard	Division 1	Zone 0 / Zone 20	A place in which an explosive atmosphere is continually present
Intermittent Hazard		Zone 1 / Zone 21	A place in which an explosive atmosphere is likely to occur in normal operation
Hazard Under Abnormal Conditions	Division 2	Zone 2 / Zone 22	A place in which an explosive atmosphere is not likely to occur in normal operation, but may occur for short periods

IP Codes

1st No.	Solid Objects
0	No protection
1	Objects greater than 50mm
2	Objects greater than 12.5mm
3	Objects greater than 2.5mm
4	Objects greater than 1mm
5	Dust protected
6	Dust proof
2nd No.	Liquids
0	No protection
1	Vertically dripping
2	Dripping up to 15°
3	Limited spraying
4	Splashing from all directions
5	Hosing jets from all directions
6	Strong hosing jets from all directions
7	Temporary immersion
8	Continuous immersion
9	Steam-jet cleaning

IK Ratings

IK Code	Level of Protection Achieved
IK00	Not protected
IK01	Protected against 0.14 joules impact
IK02	Protected against 0.2 joules impact
IK03	Protected against 0.35 joules impact
IK04	Protected against 0.5 joules impact
IK05	Protected against 0.7 joules impact
IK06	Protected against 1 joules impact
IK07	Protected against 2 joules impact
IK08	Protected against 5 joules impact
IK09	Protected against 10 joules impact
IK10	Protected against 20 joules impact



+1 (262) 456-5002
contact@redskylighting.com
www.redskylighting.com

RED SKY LIGHTING LLC
9370 Pittsburgh Ave.
Rancho Cucamonga, CA 91730, USA

Disclaimer

All product information is subject to change without notice.
Please contact Red Sky Lighting or your sales representative for the most up-to-date specifications.