

CRANE MASTER SERIES UL

LED LIGHTING FOR HARSH AREAS
FLOOD



Reliable. Durable. Efficient.
40,500 lumen models

RED SKY
SERIOUSLY SAFE LIGHTS™

ABOUT RED SKY LIGHTING

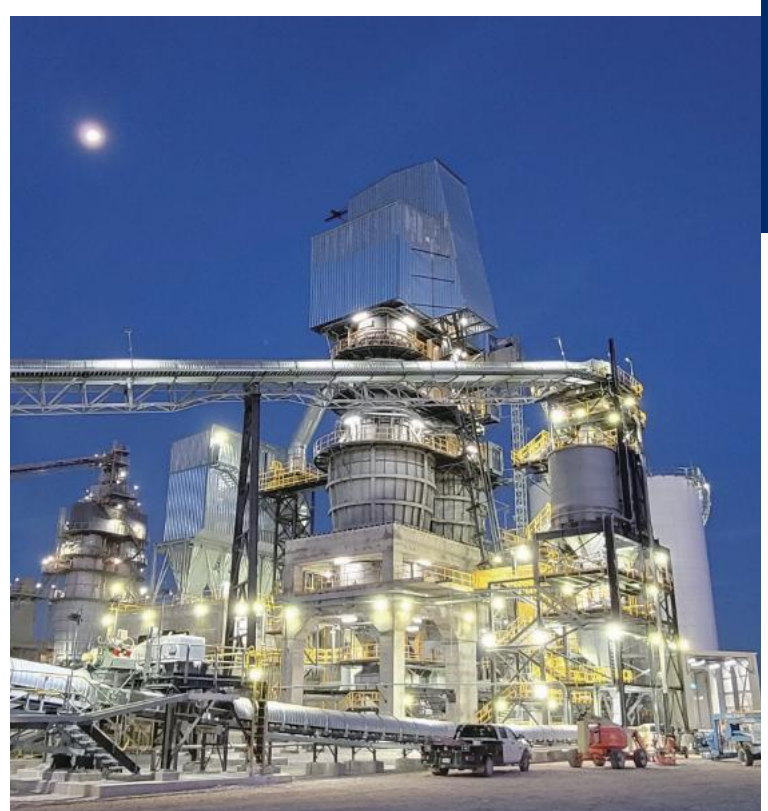
PIONEERING INDUSTRIAL ILLUMINATION FOR HARSH & HAZARDOUS CONDITIONS

A leading manufacturer of premium LED lights for demanding work conditions

Headquartered in California, products assembled in the USA

Servicing global clients across 4 continents in metal processing, oil & gas, marine, manufacturing

Renowned for quality, dependability, client care and uncompromising safety standards



WHY CHOOSE RED SKY

❧ SERIOUSLY SAFE LIGHTS

- Rigorously tested in our professional labs
- Surpassing industry certifications and safety protocols
- Crafted with highest grade components for maximum durability

❧ TOP-NOTCH SERVICES

- Team of experts for seamless support
- Energy audit services, lighting simulation services
- Hassle-free return policy and management

❧ FAST DELIVERY

- Majority of orders delivered within 14 days
- Same day shipping for products in stock
- Real-time order tracking for full transparency

❧ SUSTAINABLE SOLUTIONS

- High luminous efficacy LEDs for energy savings
- Conscious product design
- Recyclable materials for products and packaging



FEATURES



- 5 Choices of Light Distributions**
30° / 60° / 90° / 120° / 30*120°
available for different applications from narrow to assymmetric light distribution
- Easy and Through Wiring**
Built-in wiring compartment with two cable entries and WAGO 221 lever connectors for easy wiring (1-4mm²)
- The damper bracket is rotatable and ensures light is constantly targeted where required**

RATINGS

UL 1598 Wet Locations
UL 1598A Marine Outside Type (Salt Water)
IP67
IK08 (Clear Glass) / IK10 (Clear PC)

CERTIFICATIONS

UL1598
UL1598A
CSA C22.2 NO. 250.0
FCC 47 CFR Part 15, Subpart B

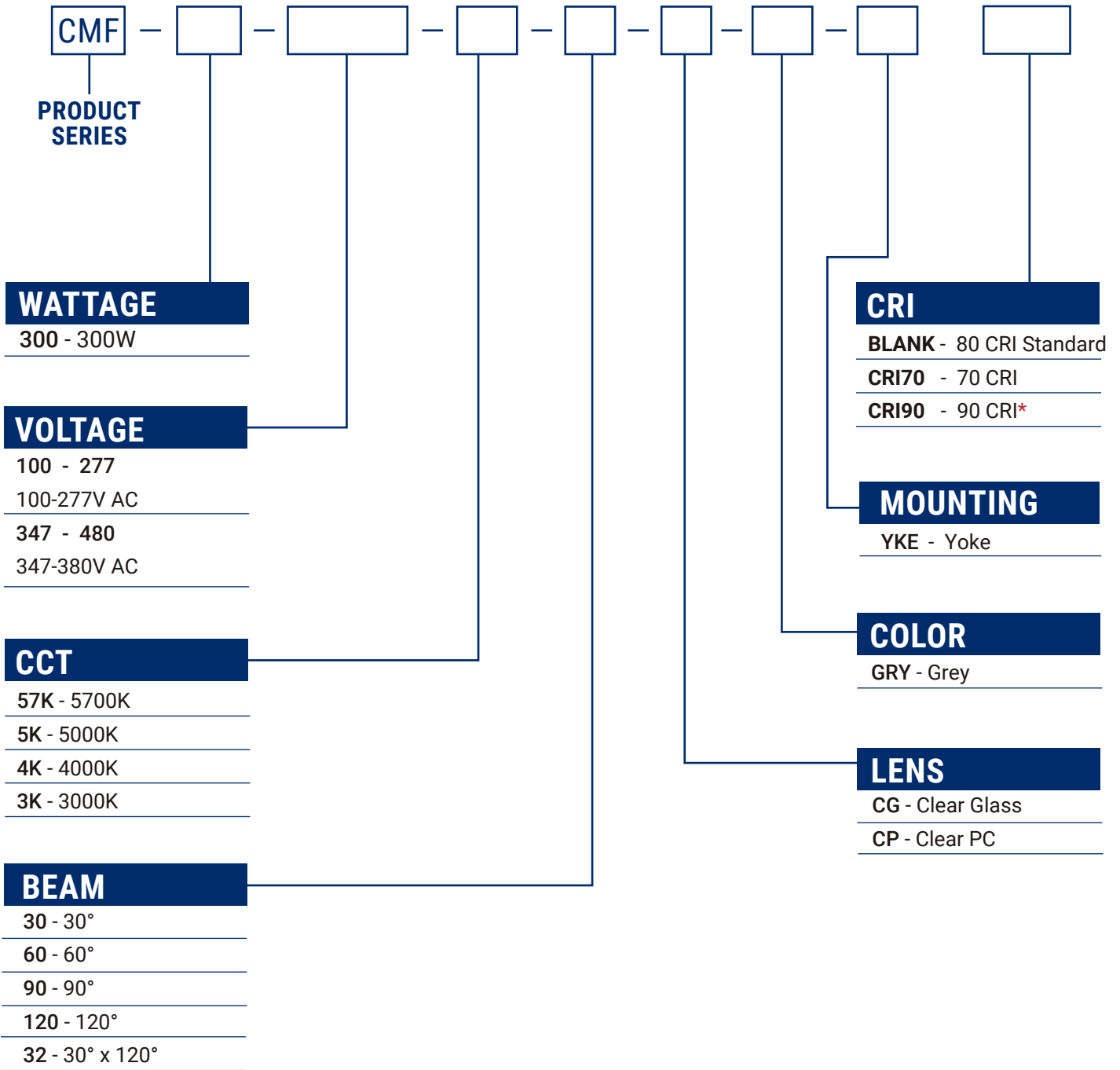
TECHNICAL PARAMETERS

| Specification | CMF-300 |
|------------------------------------|---|
| Electrical Parameters | |
| Power | 300W |
| Voltage/Frequency | 100-277V AC, 347-480V AC 50/60Hz |
| Input Current(Amps) | 100VAC: 3.0174, 347VAC: 0.8695 |
| Power Factor | >0.90 |
| THD | <20% |
| L70 | 140,000 Hours@50°C |
| Dimming | 0-10V,Range 10-100% |
| Surge Protection | NA |
| Supply wireTemperature°C(°F) | 105°C (221°F) |
| Warranty | Standard: 5 Years |
| Optical Parameters | |
| Lumen Output* | 40,501Lm |
| Lumen Efficacy* | 136Lm/W @5000K |
| Available Beam Angle | 30°/60°/90°/30*120°(PC)/120°(Glass) |
| Correlated Color Temperature (CCT) | 3000K/4000K/5000K/5700K |
| Color Rendering Index (CRI) | 80 CRI |
| Mechanical Parameters | |
| Finish | Thermoset Powdercoat |
| Hardware | Stainless steel 316 |
| Lens Material | Clear Glass or Clear PC |
| Mounting Options | Angled Yoke |
| Cable Entry | 12-24AWG min: 0.14mm ² max: 4mm ² |
| Connection | 2 x M20 |
| Product Weight | 30.9lbs/14kg |
| Product Dimensions(LxWxH) | 20.78x11.46x6.55 in (527.7x291.2x166.3 mm) |
| Box Dimensions(LxWxH) | 23.07x15.2x9.37 in (586x386x238mm) |
| Environmental Parameters | |
| Ambient Operating Temperature | -40°F ~ +131°F (-40°C ~+ 55°C) |
| Vibration Resistance | 5G |
| Corrosion Resistance | 500 hours |
| EPA wind rating (FT2) | 1.285 |

* Value calculated based on 5000K,80 CRI and Clear glass ,varies to differrent spec.
70 CRI & 90 CRI optional, DLC available with 70 CRI only.

ORDERING INFORMATION

EXAMPLE: CMF-300-100-277-57K-90-CG-GRY-YKE



* CRI70 - 70 CRI, CRI90 - 90 CRI, CRI 90 option – expect longer lead time

MOUNTING ACCESSORIES



Yoke
(SUS304)



Yoke with
Damper Bracket



SC05

| Pard Number | Description | MPN Code |
|-------------|--|-----------|
| DPY01 | Crane Damper Bracket, SUS304, Fixed with M10 Bolts | 210010029 |
| SFCB01 | Safety Cable Kit, SUS304 | 210010086 |

LUMEN TABLE

| Part Number | Wattage (W) | CCT | CRI | Beam | Lens | Lumen Output (Lm) | Efficiency (Lm/W) |
|---|-------------|-------|-----|----------|-------------|-------------------|-------------------|
| Voltage 120-277VAC 80 CRI • STANDARD | | | | | | | |
| CMF-300-100-277-5K-120-CG-GRY-YKE | 300 | 5000K | 80 | 120° | Clear Glass | 40,501 | 136 |
| CMF-300-100-277-5K-30-CP-GRY-YKE | 300 | 5000K | 80 | 30° | Clear PC | 36,148 | 131 |
| CMF-300-100-277-5K-60-CP-GRY-YKE | 300 | 5000K | 80 | 60° | Clear PC | 37,885 | 137 |
| CMF-300-100-277-5K-90-CP-GRY-YKE | 300 | 5000K | 80 | 90° | Clear PC | 38,904 | 141 |
| CMF-300-100-277-5K-32-CP-GRY-YKE | 300 | 5000K | 80 | 30°x120° | Clear PC | 37,342 | 135 |
| Voltage 120-277VAC 70 CRI | | | | | | | |
| CMF-300-100-277-5K-120-CG-GRY-YKE CRI70 | 300 | 5000K | 70 | 120° | Clear Glass | 42,211 | 154 |
| CMF-300-100-277-5K-30-CP-GRY-YKE CRI70 | 300 | 5000K | 70 | 30° | Clear PC | 37,674 | 137 |
| CMF-300-100-277-5K-60-CP-GRY-YKE CRI70 | 300 | 5000K | 70 | 60° | Clear PC | 39,485 | 143 |
| CMF-300-100-277-5K-90-CP-GRY-YKE CRI70 | 300 | 5000K | 70 | 90° | Clear PC | 40,547 | 147 |
| CMF-300-100-277-5K-32-CP-GRY-YKE CRI70 | 300 | 5000K | 70 | 30°x120° | Clear PC | 38,919 | 141 |
| Voltage 120-277VAC 90 CRI | | | | | | | |
| CMF-300-100-277-5K-120-CG-GRY-YKE CRI90 | 300 | 5000K | 90 | 120° | Clear Glass | 33,473 | 122 |
| CMF-300-100-277-5K-30-CP-GRY-YKE CRI90 | 300 | 5000K | 90 | 30° | Clear PC | 29,875 | 109 |
| CMF-300-100-277-5K-60-CP-GRY-YKE CRI90 | 300 | 5000K | 90 | 60° | Clear PC | 31,312 | 113 |
| CMF-300-100-277-5K-90-CP-GRY-YKE CRI90 | 300 | 5000K | 90 | 90° | Clear PC | 32,154 | 117 |
| CMF-300-100-277-5K-32-CP-GRY-YKE CRI90 | 300 | 5000K | 90 | 30°x120° | Clear PC | 30,863 | 112 |

347–480Vac models deliver the same lumen output as the 100–277Vac models.

This table lists only selected lumen packages. For additional model parameters, please contact our sales team.

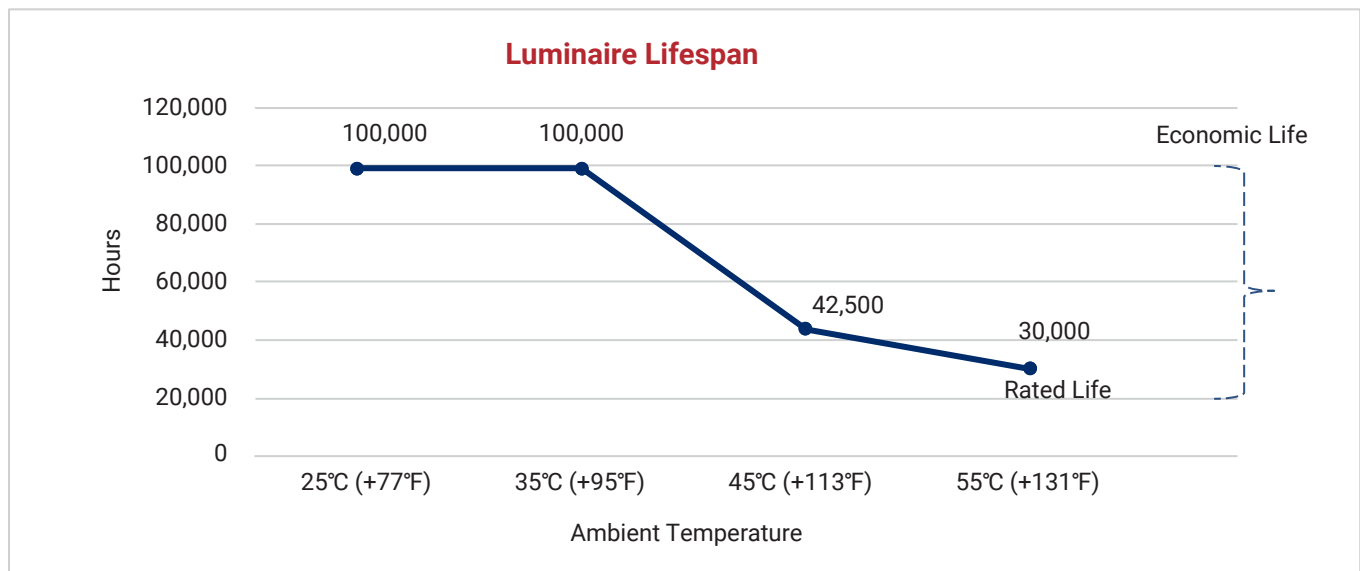
Note: LXX# = nominal lumens. Verify lumen package before ordering.

LUMEN MAINTENANCE

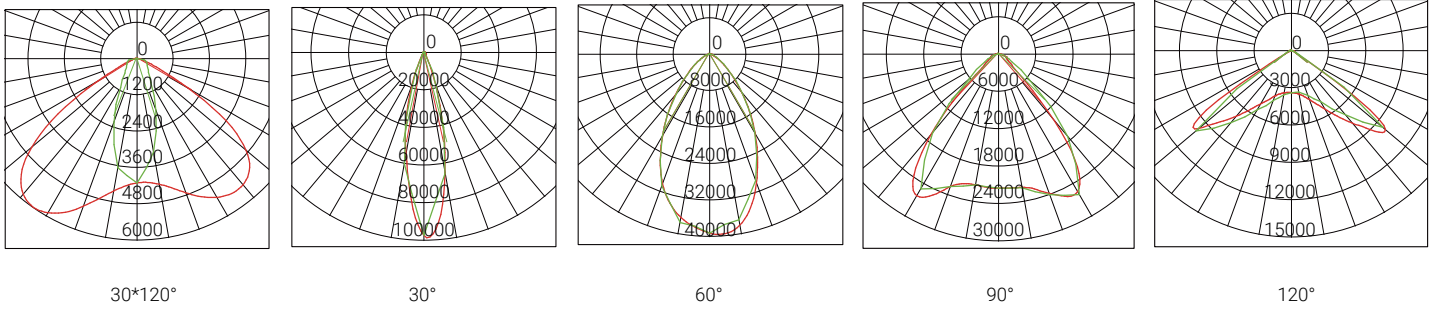
| Hours Ambient | 0 | 15,000 | 30,000 | 45,000 | 60,000 | 75,000 | 90,000 | 100,000 | 150,000 |
|------------------|------|--------|--------|--------|--------|--------|--------|---------|---------|
| 25°C | 100% | 96% | 92% | 89% | 85% | 82% | 78% | 76% | 66% |
| 35°C | 100% | 96% | 92% | 89% | 85% | 82% | 78% | 76% | 66% |
| 45°C | 100% | 96% | 92% | 89% | 85% | 82% | 78% | 76% | 66% |
| 55°C | 100% | 96% | 92% | 89% | 85% | 82% | 78% | 76% | 66% |

LUMINAIRE LIFESPAN

| Ambient Temperature | Luminaire Lifespan (Hours) | Rated Service Life - Years (24/7 Operation) | Rated Service Life - Years (12/7 Operation) |
|---------------------|----------------------------|---|---|
| 25°C (+77°F) | 100,000 | 11 | 23 |
| 35°C (+95°F) | 100,000 | 11 | 23 |
| 45°C (+113°F) | 42,500 | 5 | 10 |
| 55°C (+131°F) | 30,000 | 3 | 7 |

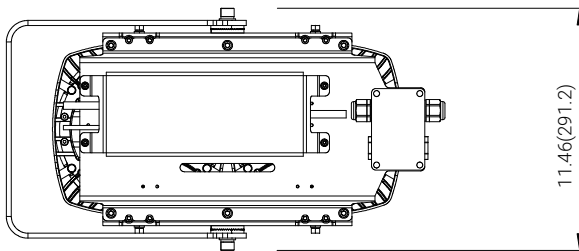
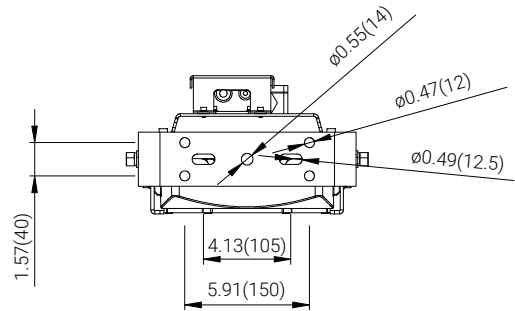
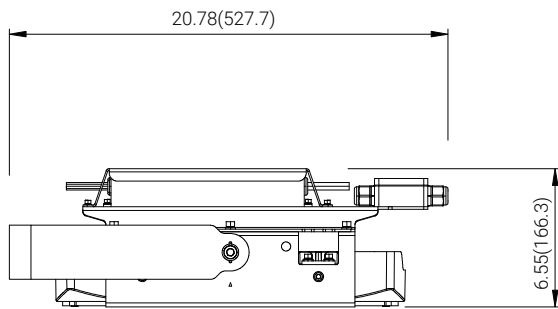


Information shown for reference only and may vary by configuration.



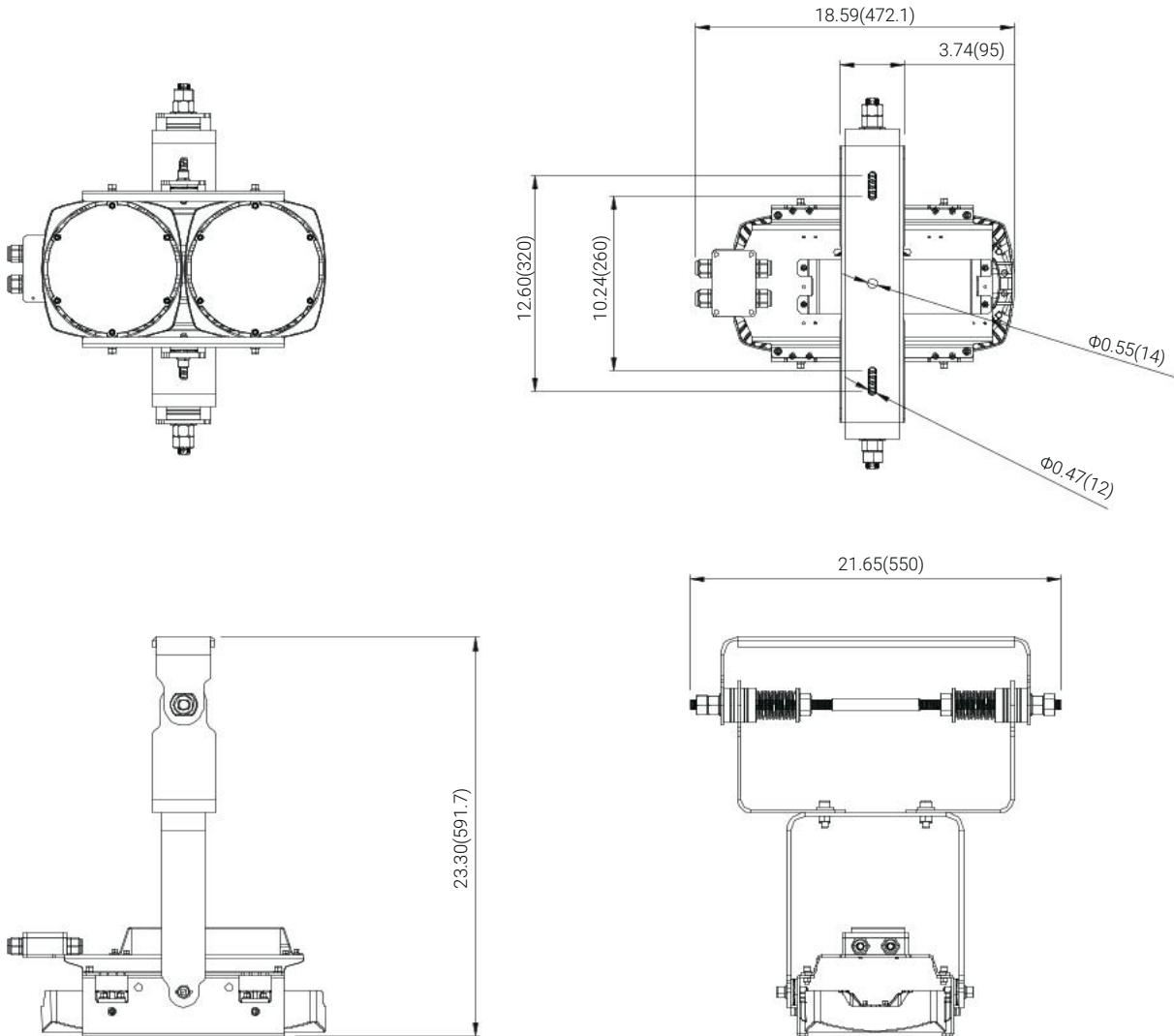
DIMENSIONS

unit: in(mm)



YOKE

unit: in(mm)



YOKE with Damper Bracket

HAZARDOUS LOCATION LIGHTING BASICS

Atmosphere Groups

Temperature Classification

| Substance | Hazard Class | Division Groups | Zone Groups | Max. Surface Temperatures | NEC®500 CEC® | NEC®505/IEC-Group II |
|--|----------------------------------|------------------------------|-------------------|---------------------------|--------------|----------------------|
| Acetylene | Class I Flammable Gases | Group A | IIC | 450(842) | T1 | T1 |
| Hydrogen | | Group B | IIC | 300(572) | T2 | |
| Ethylene | | Group C | IIB | 280(536) | T2A | T2 |
| Propane | | Group D | IIA | 260(500) | T2B | |
| Methane | | Group D | IIA ² | 230(446) | T2C | |
| Combustible Metal Dusts | Class II Combustible Dusts | Group E ¹ | IIIC ³ | 215(419) | T2D | T3 |
| Combustible Carbonaceous Dust | | Group F | IIIB ³ | 200(392) | T3 | |
| Combustible Dusts not in Group E or F (Flour, Grain, Wood, Plastics, Chemicals) | | Group G | IIIB ³ | 180(256) | T3A | |
| Combustible Fibers and Flyings | | Class III Fibers and Flyings | Not Applicable | IIIA ³ | 165(329) | |
| | | | | 160(320) | T3C | T4 |
| | | | | 135(275) | T4 | |
| | | | | 120(248) | T4A | T4 |
| | | | | 100(212) | T5 | T5 |
| | | | | 85(185) | T6 | T6 |

Note 1: Group E is applicable to Class II, Division 1 only.
 Note 2: Methane is a Group IIA Gas for non-mining applications.
 Note 3: Group IIIA, IIIB and IIIC have not been adopted by the Canadian Electrical Code.

Classification of Divisions and Zones

| Hazard Level | Division Scheme | Zone Scheme | Definitions |
|----------------------------------|-----------------|------------------|--|
| Continuous Hazard | Division 1 | Zone 0 / Zone 20 | A place in which an explosive atmosphere is continually present |
| Intermittent Hazard | | Zone 1 / Zone 21 | A place in which an explosive atmosphere is likely to occur in normal operation |
| Hazard Under Abnormal Conditions | Division 2 | Zone 2 / Zone 22 | A place in which an explosive atmosphere is not likely to occur in normal operation, but may occur for short periods |

IP Codes

| 1st No. | Solid Objects |
|---------|--|
| 0 | No protection |
| 1 | Objects greater than 50mm |
| 2 | Objects greater than 12.5mm |
| 3 | Objects greater than 2.5mm |
| 4 | Objects greater than 1mm |
| 5 | Dust protected |
| 6 | Dust proof |
| 2nd No. | Liquids |
| 0 | No protection |
| 1 | Vertically dripping |
| 2 | Dripping up to 15° |
| 3 | Limited spraying |
| 4 | Splashing from all directions |
| 5 | Hosing jets from all directions |
| 6 | Strong hosing jets from all directions |
| 7 | Temporary immersion |
| 8 | Continuous immersion |
| 9 | Steam-jet cleaning |

IK Ratings

| IK Code | Level of Protection Achieved |
|---------|--------------------------------------|
| IK00 | Not protected |
| IK01 | Protected against 0.14 joules impact |
| IK02 | Protected against 0.2 joules impact |
| IK03 | Protected against 0.35 joules impact |
| IK04 | Protected against 0.5 joules impact |
| IK05 | Protected against 0.7 joules impact |
| IK06 | Protected against 1 joules impact |
| IK07 | Protected against 2 joules impact |
| IK08 | Protected against 5 joules impact |
| IK09 | Protected against 10 joules impact |
| IK10 | Protected against 20 joules impact |



+1 (262) 456-5002
contact@redskylighting.com
www.redskylighting.com

RED SKY LIGHTING LLC
9370 Pittsburgh Ave.
Rancho Cucamonga, CA 91730, USA

Disclaimer

All product information is subject to change without notice.
Please contact Red Sky Lighting or your sales representative for the most up-to-date specifications.

Rev.06 04/26