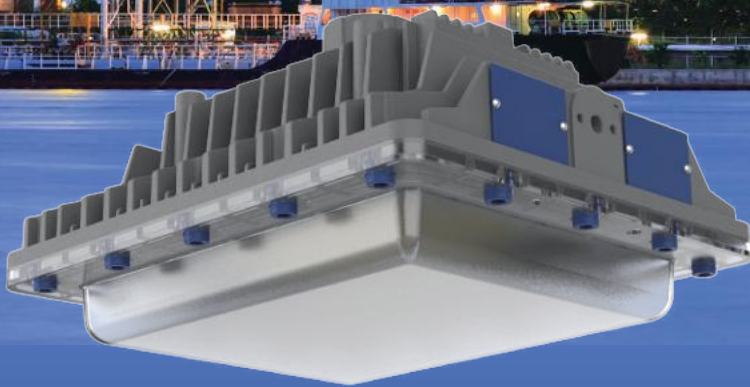


BLOCK MINI HARSH SERIES

LED LIGHTING FOR HARSH INDUSTRIAL ENVIRONMENTS



Reliable. Durable. Efficient.
3,000 to 8,100 lumen models

RED SKY
SERIOUSLY SAFE LIGHTS™

ABOUT RED SKY LIGHTING

PIONEERING INDUSTRIAL ILLUMINATION FOR HARSH & HAZARDOUS CONDITIONS

- A leading manufacturer of premium LED lights for demanding work conditions
- Headquartered in California, products assembled in the USA
- Servicing global clients across 4 continents in metal processing, oil & gas, marine, manufacturing
- Renowned for quality, dependability, client care and uncompromising safety standards



WHY CHOOSE RED SKY

🔌 SERIOUSLY SAFE LIGHTS

- Rigorously tested in our professional labs
- Surpassing industry certifications and safety protocols
- Crafted with highest grade components for maximum durability

🔌 TOP-NOTCH SERVICES

- Team of experts for seamless support
- Energy audit services and lighting simulation services
- Hassle-free return policy and management

🔌 FAST DELIVERY

- Majority of orders delivered within 14 days
- Same day shipping for products in stock
- Real-time order tracking for full transparency

🔌 SUSTAINABLE SOLUTIONS

- High luminous efficacy LEDs for energy savings
- Conscious product design
- Recyclable materials for products and packaging

BLOCK MINI HARSH SERIES



Introducing the Block Mini Harsh Series from Red Sky Lighting – a compact and powerful LED luminaire series engineered for tough industrial environments. This versatile lighting solution is NEMA 4X-rated, providing protection against water, dust, and corrosive elements—ideal for coastal facilities, chemical plants, food processing sites, and other demanding applications.

The factory-sealed Block Mini Harsh Series eliminates the need for external sealing fittings, simplifying installation and maintenance. Its corrosion-resistant housing ensures durability in environments exposed to moisture, salt spray, or chemicals. With excellent thermal management, performs reliably in high ambient temperatures up to 149°F, with an L70 lifetime of over 219,000 hours.

Compact and lightweight, the Block Mini Harsh Series is easy to install—perfect for applications with limited space or low mounting heights. Red Sky Lighting offers multiple lens options, including clear, diffused, Type II, and Type III, for both targeted and general area lighting.

The Block Mini Harsh Series is backed by Red Sky Lighting's 10-year warranty. With NEMA 4X construction and reliable performance, it delivers the durability and efficiency needed for mission-critical lighting in harsh environments.

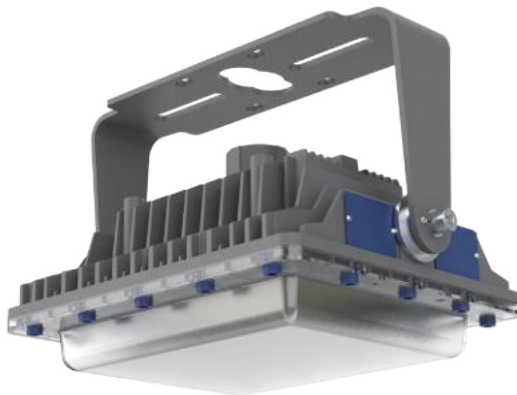




BLOCK MINI HARSH SERIES

GRAFTON, WISCONSIN

FEATURES



Thermal Management

Safe and reliable heat transfer
Heat sink designed to perform in high ambient temperatures up to +149°F
L70 >219,000 Hours@149°F

Compact and Light Weight Design

For easy handling, especially when access to limited space with low mounting heights

5 Mounting Options



RATINGS

UL 1598 Wet Locations
UL 1598A Marine Outside Type (Salt Water)
IP66& IP67
IK10 (PC) /IK08 (Glass)
Salt Spray 720 hrs (ASTM B117)
NEMA 4X

CERTIFICATIONS

UL 1598
UL 1598A
CSA C22.2 No. 250.0
FCC Part 15, Subpart B

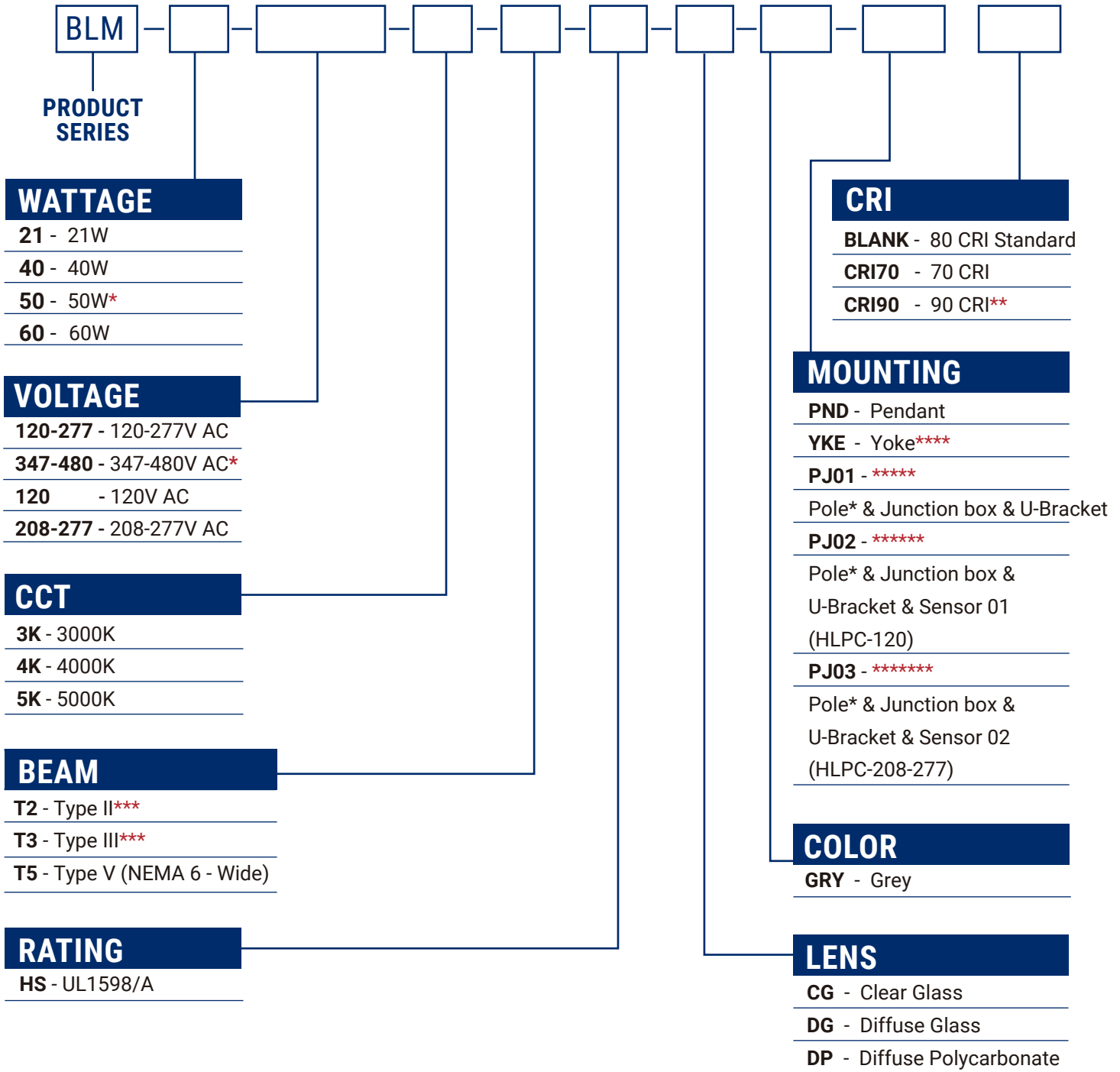
TECHNICAL PARAMETERS

Specification	BLM-21	BLM-40	BLM-50	BLM-60
Electrical Parameters				
Power	21W	40W	50W	60W
Rated Input Current (120V AC)	0.194A	0.370A	/	0.555A
Rated Input Current (277V AC)	0.084A	0.160A	/	0.240A
Rated Input Current (347V AC)	/	/	0.160A	/
Rated Input Current (480V AC)	/	/	0.115A	/
Voltage/Frequency	120-277V AC	120-277V AC	347-480V AC	120-277V AC
Power Factor	≥0.90			
THD	<20%			
L70	219,000 hrs@149°F			127,000 hrs@147°F
Dimming	0-10V, Range 10-100%			
Surge Protection	10KV			
Supply Wire	12-18AWG, Rated 90°C			
Warranty	LEDs: 10 years, Driver: 7 years			
Optical Parameters				
Lumen Output*	2,977Lm	5,617Lm	6,945Lm	8,100Lm
Lumen Efficacy*	140Lm/W			
Available Beam Angle	T2/T3/T5			
Correlated Color Temperature (CCT)	3000K/4000K/5000K			
Color Rendering Index (CRI)	80 CRI			
Mechanical Parameters				
Housing Material	Copper-free (< 0.4%) die-cast aluminum			
Hardware	Stainless steel 316			
Lens Material	Tempered Glass or Polycarbonate			
Mounting Options	Pendant, Yoke, Ceiling, Stanchion, Wall			
Product Weight	10.5lbs/4.8kg	10.8lbs/4.9kg	11.7lbs/5.3kg	11.7lbs/5.3kg
Package Weight	12.6lbs/5.8kg	12.9lbs/5.9kg	13.8lbs/6.3kg	13.8lbs/6.3kg
Cable Entry	(1) 3/4" NPT w/3' 18/6 Leads (L/N/G,Dim+/Dim-/12V)			
Product Dimensions(L×W×H)	9.7×8.3×5.1in (245×210×129mm)			
Package Dimensions(L×W×H)	13.4×11×8.3in (340×280×210mm)			
Environmental Parameters				
Ambient Operating Temperature	-40°C~-65°C(-40°F~-149°F)			64°C(147°F)
EPA wind rating (FT2)	0.998 (Yoke), 1.134 (Ceiling), 0.792 (Stanchion)			

* Value calculated based on 5000K, 80 CRI and clear glass ,varies to different spec. 70 CRI & 90 CRI optional.

ORDERING INFORMATION

EXAMPLE: BLM-40-120-277-5K-T5-HS-CG-GRY-PND



* 50W only with 347-480V AC, 347-480V AC only with 50W

** CRI90 expects longer leadtime

*** Only available with Clear Glass Option

**** BLM-YOKE Pre-installed as standard

Junction Box See page 8 for the accessory list/selection, 120V AC only for JB02-P and JB05-P(PJ02); 208-77VAC only for JB03-P and JB06-P(PJ03).

***** JB01 1.5 inch (1.9 inch OD) and 2 inch (2-3/8 inch OD) NPT Threaded Slip-Fit Junction Box

JB04 1.5 inch (1.9 inch OD) and 2 inch (2-3/8 inch OD) Non-Threaded Slip-Fit Junction Box

***** JB02-P 1.5 inch (1.9 inch OD) and 2 inch (2-3/8 inch OD) NPT Threaded Slip-Fit Junction Box + Sensor (120V)

JB05-P 1.5 inch (1.9 inch OD) and 2 inch (2-3/8 inch OD) Non-Threaded Slip-Fit Junction Box + Sensor (120V)

***** JB03-P 1.5 inch (1.9 inch OD) and 2 inch (2-3/8 inch OD) NPT Threaded Slip-Fit Junction Box + Sensor (208-277V)

JB06-P 1.5 inch (1.9 inch OD) and 2 inch (2-3/8 inch OD) Non-Threaded Slip-Fit Junction Box + Sensor (208-277V)

MOUNTING ACCESSORIES



Pendant



Yoke



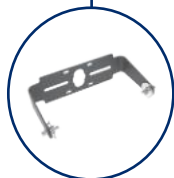
Ceiling



Stanchion



Wall



BLM-YOKE



CEIL01



SN2501/SN2502



SN9001/SN9002



WL2501

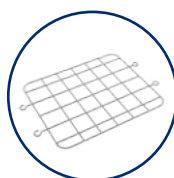


WL9001

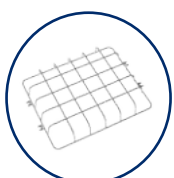
Mounting Method	PN	Description	MPN Code
Yoke	BLM-YOKE	Yoke Mount, SUS304, Powder-Coated Grey RAL 7037	210010049
Ceiling	CEIL01 *	Ceiling Mount, Powder-Coated Grey RAL 7037	210010001
Stanchion	SN2501 *	Stanchion Mount, 25 Degrees, NPT 1-1/2, Powder-Coated Grey RAL 7037	210010004
	SN2502 *	Stanchion Mount, 25 Degrees, NPT 1-1/4, Powder-Coated Grey RAL 7037	210010003
	SN9001 *	Stanchion Mount, 90 Degrees, NPT 1-1/2, Powder-Coated Grey RAL 7037	210010006
	SN9002 *	Stanchion Mount, 90 Degrees, NPT 1-1/4, Powder-Coated Grey RAL 7037	210010005
Wall	WL2501 *	Wall Mount, 25 Degrees, Powder-Coated Grey RAL 7037	210010028
	WL9001 *	Wall Mount, 90 Degrees, Powder-Coated Grey RAL 7037	210010002

* Adapter required for mounting options: Ceiling / Stanchion / WALL except YOKE Mount

OTHER ACCESSORIES



BLM-WGG



BLM-WGP



SFCB02



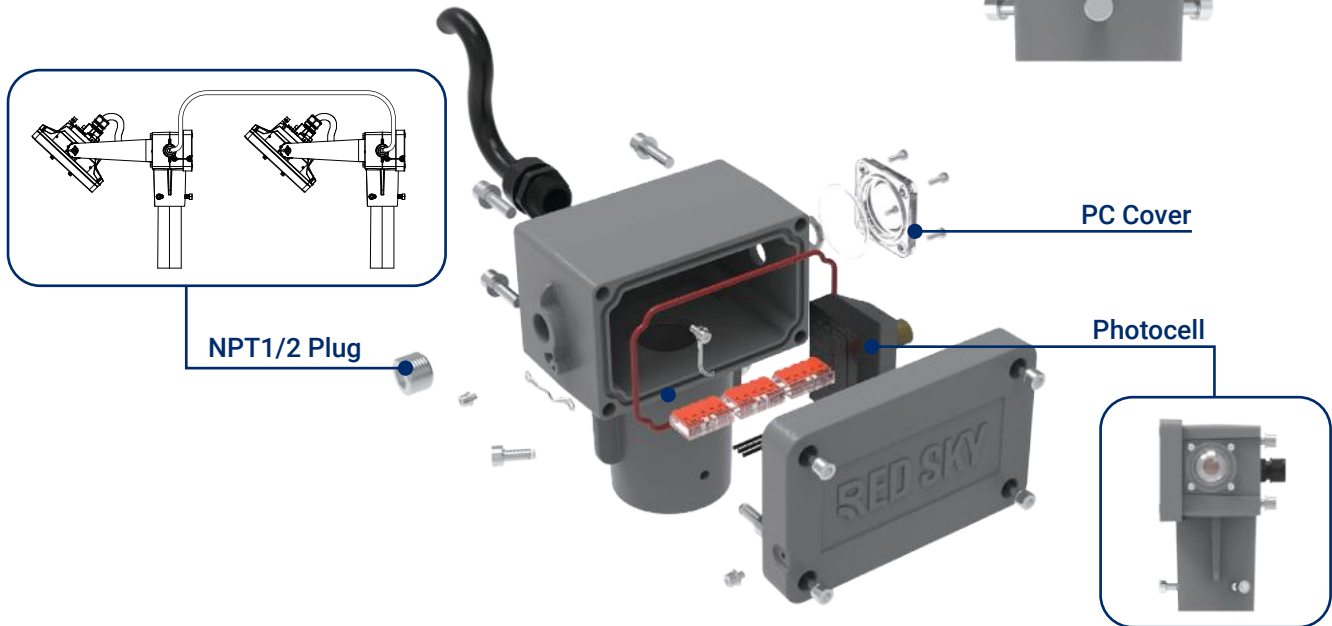
BLM-ADPT

PN	Description	MPN Code
BLM-WGG	Wire Guard for Globe Lens, SUS304	210010093
BLM-WGP	Wire Guard for PC Lens	210010095
SFCB02	Safety Cable Kit, SUS304	210010094
BLM-ADPT *	Mounting Adaptor	210010096

* Adapter required for mounting options: Ceiling / Stanchion / WALL except YOKE Mount

SLIP-FIT JUNCTION BOX

The **Junction Box** is a multi-piece assembly featuring a copper-free, cast-aluminum housing, front cover, and cable gland. The design accommodates both stanchion installation and other mounting options. It is compatible with 2" (2 3/8" OD) and 1.5" (1.9" OD) poles, both NPT-threaded and non-threaded.



FEATURES

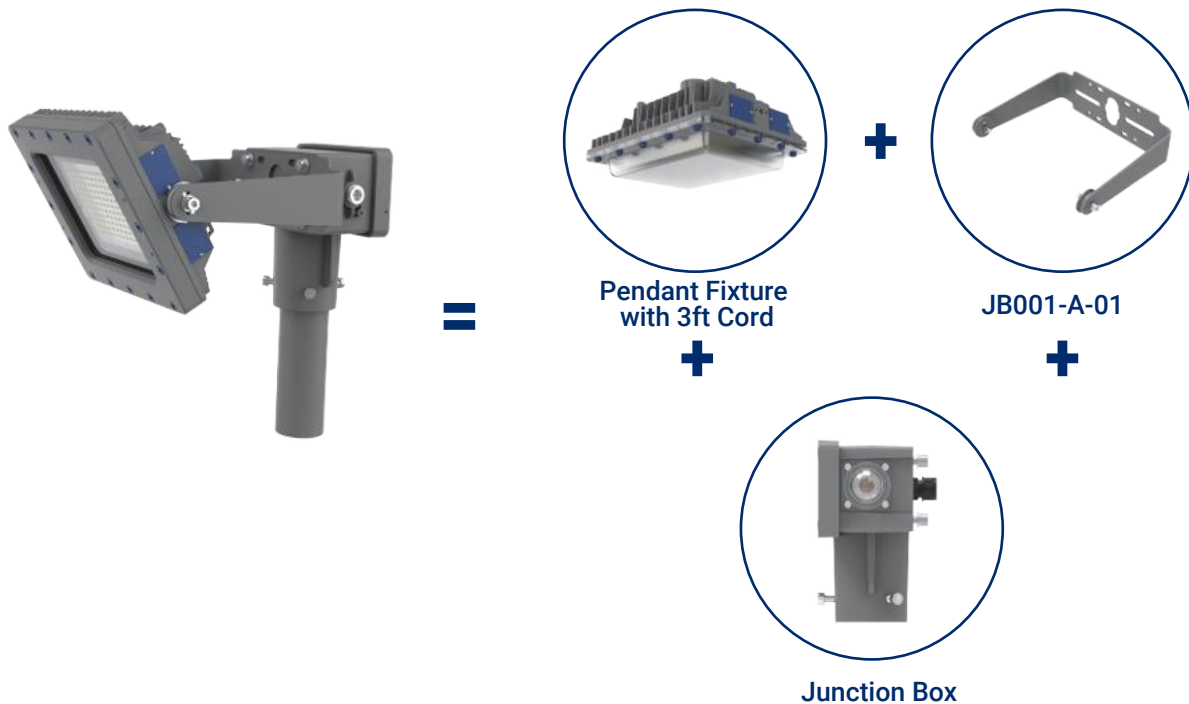
- Weather-resistant finish suitable for wet locations and marine environments
- WAGO 211 lever connectors (5-pole, UL/CSA, 18-12 AWG) for easy, hassle-free wiring
- Wiring access cover with captive screws and a rear hub featuring NPT 1/2" threads for daisy-chain wiring
- Shock and vibration-resistant design

CERTIFICATIONS & RATINGS

- UL1598
- UL1598A
- CSA C22.2 NO. 250.0
- UL 1598 Wet Locations
- UL 1598A Marine Outside Type (Salt Water)
- IP66
- IK10
- Salt Spray 720 hrs (ASTM B117)

SLIP-FIT JUNCTION BOX

INSTALLATION EXAMPLE



ORDERING INFORMATION

Part Number	Description	MPN Code
JB01	1.5" (1.9" OD) and 2"(2 3/8" OD) NPT-threaded Slip-Fit Junction box	210100116
JB02-P	1.5" (1.9" OD) and 2"(2 3/8" OD) NPT-threaded Slip-Fit Junction box + Sensor (120V)	210100117
JB03-P	1.5" (1.9" OD) and 2"(2 3/8" OD) NPT-threaded Slip-Fit Junction box + Sensor (208-277V)	210100118
JB04	1.5" (1.9" OD) and 2"(2 3/8" OD) Non-threaded Slip-Fit Junction box	210100119
JB05-P	1.5" (1.9" OD) and 2"(2 3/8" OD) Non-threaded Slip-Fit Junction box + Sensor (120V)	210100120
JB06-P	1.5" (1.9" OD) and 2"(2 3/8" OD) Non-threaded Slip-Fit Junction box + Sensor (208-277V)	210100121
JB001-A-01	BLM Custom Bracket Assembly	210010055

REPLACEMENT PARTS (ORDERED SEPARATELY)

Part Number	Description	MPN Code
BLM-21-120-277-Driver	Replacement Driver Kit for BLM-21-120-277 Fixtures	303010016
BLM-40-120-277-Driver	Replacement Driver Kit for BLM-40-120-277 Fixtures	303010017
BLM-60-120-277-Driver	Replacement Driver Kit for BLM-60-120-277 Fixtures	303010018
BLM-50-347-480-Driver	Replacement Driver Kit for BLM-50-347-480 Fixtures	303010019
CG001-A-01	Replacement Clear Glass Lens for BLM H1, BLM H2	303030001
DG001-A-01	Replacement Diffuse Glass Lens for BLM H1, BLM H2	303030002
PG001-A-01	Replacement PC Lens for BLM H2	303030003

PN	Wattage (W)	CCT	CRI	Beam	Lens	Lumen Output (Lm)	Efficiency (Lm/W)
----	-------------	-----	-----	------	------	-------------------	-------------------

Voltage 100-277VAC 80 CRI • STANDARD

BLM-21-120-277-5K-T2-HS-CG-GRY-PND	21	5000K	80	T2	Clear Glass	2,983	133
BLM-21-120-277-5K-T3-HS-CG-GRY-PND	21	5000K	80	T3	Clear Glass	2,842	127
BLM-21-120-277-5K-T5-HS-CG-GRY-PND	21	5000K	80	T5	Clear Glass	2,977	137
BLM-21-120-277-5K-T5-HS-DG-GRY-PND	21	5000K	80	T5	Diffuse Glass	2,615	117
BLM-40-120-277-5K-T2-HS-CG-GRY-PND	40	5000K	80	T2	Clear Glass	5,553	137
BLM-40-120-277-5K-T3-HS-CG-GRY-PND	40	5000K	80	T3	Clear Glass	5,226	128
BLM-40-120-277-5K-T5-HS-CG-GRY-PND	40	5000K	80	T5	Clear Glass	5,617	139
BLM-40-120-277-5K-T5-HS-DG-GRY-PND	40	5000K	80	T5	Diffuse Glass	4,915	121
BLM-60-120-277-5K-T2-HS-CG-GRY-PND	60	5000K	80	T2	Clear Glass	8,231	136
BLM-60-120-277-5K-T3-HS-CG-GRY-PND	60	5000K	80	T3	Clear Glass	7,752	129
BLM-60-120-277-5K-T5-HS-CG-GRY-PND	60	5000K	80	T5	Clear Glass	8,100	137
BLM-60-120-277-5K-T5-HS-DG-GRY-PND	60	5000K	80	T5	Diffuse Glass	7,274	129

Voltage 347-480VAC 80 CRI • STANDARD

BLM-50-347-480-5K-T2-HS-CG-GRY-PND	50	5000K	80	T2	Clear Glass	6,974	134
BLM-50-347-480-5K-T3-HS-CG-GRY-PND	50	5000K	80	T3	Clear Glass	6,394	123
BLM-50-347-480-5K-T5-HS-CG-GRY-PND	50	5000K	80	T5	Clear Glass	6,945	136
BLM-50-347-480-5K-T5-HS-DG-GRY-PND	50	5000K	80	T5	Diffuse Glass	6,169	119

Voltage 100-277VAC 70 CRI

BLM-21-120-277-5K-T2-HS-CG-GRY-PND CRI70	21	5000K	70	T2	Clear Glass	3,364	156
BLM-21-120-277-5K-T3-HS-CG-GRY-PND CRI70	21	5000K	70	T3	Clear Glass	3,210	148
BLM-21-120-277-5K-T5-HS-CG-GRY-PND CRI70	21	5000K	70	T5	Clear Glass	3,290	152
BLM-21-120-277-5K-T5-HS-DG-GRY-PND CRI70	21	5000K	70	T5	Diffuse Glass	2,824	131
BLM-40-120-277-5K-T2-HS-CG-GRY-PND CRI70	40	5000K	70	T2	Clear Glass	6,162	153
BLM-40-120-277-5K-T3-HS-CG-GRY-PND CRI70	40	5000K	70	T3	Clear Glass	5,991	149
BLM-40-120-277-5K-T5-HS-CG-GRY-PND CRI70	40	5000K	70	T5	Clear Glass	6,499	161
BLM-40-120-277-5K-T5-HS-DG-GRY-PND CRI70	40	5000K	70	T5	Diffuse Glass	5,207	130
BLM-60-120-277-5K-T2-HS-CG-GRY-PND CRI70	60	5000K	70	T2	Clear Glass	8,113	147
BLM-60-120-277-5K-T3-HS-CG-GRY-PND CRI70	60	5000K	70	T3	Clear Glass	7,839	143
BLM-60-120-277-5K-T5-HS-CG-GRY-PND CRI70	60	5000K	70	T5	Clear Glass	8,514	154
BLM-60-120-277-5K-T5-HS-DG-GRY-PND CRI70	60	5000K	70	T5	Diffuse Glass	7,132	122

Voltage 347-480VAC 70 CRI

BLM-50-347-480-5K-T2-HS-CG-GRY-PND CRI70	50	5000K	70	T2	Clear Glass	6,949	146
BLM-50-347-480-5K-T3-HS-CG-GRY-PND CRI70	50	5000K	70	T3	Clear Glass	6,520	137
BLM-50-347-480-5K-T5-HS-CG-GRY-PND CRI70	50	5000K	70	T5	Clear Glass	7,179	151
BLM-50-347-480-5K-T5-HS-DG-GRY-PND CRI70	50	5000K	70	T5	Diffuse Glass	5,881	124

This table lists only selected lumen packages. For additional model parameters, please contact our sales team.
 Note: LXX# = nominal lumens. Verify lumen package before ordering.

LUMEN TABLE

PN	Wattage (W)	CCT	CRI	Beam	Lens	Lumen Output (Lm)	Efficiency (Lm/W)
----	-------------	-----	-----	------	------	-------------------	-------------------

Voltage 100-277VAC 90 CRI

BLM-21-120-277-5K-T2-HS-CG-GRY-PND CRI90	21	5000K	90	T2	Clear Glass	2,792	129
BLM-21-120-277-5K-T3-HS-CG-GRY-PND CRI90	21	5000K	90	T3	Clear Glass	2,664	123
BLM-21-120-277-5K-T5-HS-CG-GRY-PND CRI90	21	5000K	90	T5	Clear Glass	2,731	126
BLM-21-120-277-5K-T5-HS-DG-GRY-PND CRI90	21	5000K	90	T5	Diffuse Glass	2,344	109
BLM-40-120-277-5K-T2-HS-CG-GRY-PND CRI90	40	5000K	90	T2	Clear Glass	5,114	127
BLM-40-120-277-5K-T3-HS-CG-GRY-PND CRI90	40	5000K	90	T3	Clear Glass	4,973	124
BLM-40-120-277-5K-T5-HS-CG-GRY-PND CRI90	40	5000K	90	T5	Clear Glass	5,394	134
BLM-40-120-277-5K-T5-HS-DG-GRY-PND CRI90	40	5000K	90	T5	Diffuse Glass	4,322	108
BLM-60-120-277-5K-T2-HS-CG-GRY-PND CRI90	60	5000K	90	T2	Clear Glass	6,734	122
BLM-60-120-277-5K-T3-HS-CG-GRY-PND CRI90	60	5000K	90	T3	Clear Glass	6,506	119
BLM-60-120-277-5K-T5-HS-CG-GRY-PND CRI90	60	5000K	90	T5	Clear Glass	7,067	128
BLM-60-120-277-5K-T5-HS-DG-GRY-PND CRI90	60	5000K	90	T5	Diffuse Glass	5,920	101

Voltage 347-480VAC 90 CRI

BLM-50-347-480-5K-T2-HS-CG-GRY-PND CRI90	50	5000K	90	T2	Clear Glass	5,767	121
BLM-50-347-480-5K-T3-HS-CG-GRY-PND CRI90	50	5000K	90	T3	Clear Glass	5,411	114
BLM-50-347-480-5K-T5-HS-CG-GRY-PND CRI90	50	5000K	90	T5	Clear Glass	5,959	125
BLM-50-347-480-5K-T5-HS-DG-GRY-PND CRI90	50	5000K	90	T5	Diffuse Glass	4,881	103

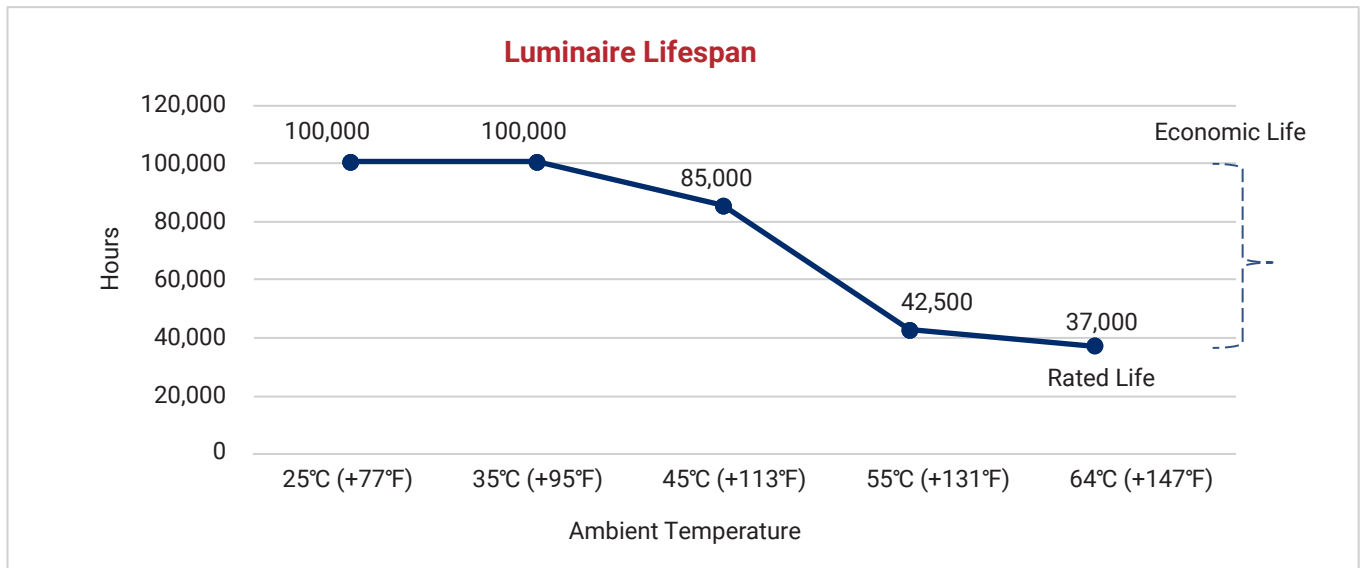
This table lists only selected lumen packages. For additional model parameters, please contact our sales team.
 Note: LXX# = nominal lumens. Verify lumen package before ordering.

LUMEN MAINTENANCE

Ambient \ Hours	0	15,000	30,000	45,000	60,000	75,000	90,000	100,000	150,000
25°C	100%	99%	98%	97%	96%	95%	94%	94%	90%
35°C	100%	99%	98%	96%	95%	94%	93%	92%	88%
45°C	100%	98%	97%	95%	94%	92%	91%	90%	85%
55°C	100%	98%	96%	94%	92%	90%	88%	87%	81%
64°C	100%	97%	93%	89%	85%	82%	78%	76%	66%

LUMINAIRE LIFESPAN

Ambient Temperature	Luminaire Lifespan (Hours)	Rated Service Life - Years (24/7 Operation)	Rated Service Life - Years (12/7 Operation)
25°C (+77°F)	100,000	11	23
35°C (+95°F)	100,000	11	23
45°C (+113°F)	85,000	10	19
55°C (+131°F)	42,500	5	10
64°C (+147°F)	37,000	4	8



Information shown for reference only and may vary by configuration.

A DIRECT RETROFIT FROM HID TO LED

The BLM series LED is easy to retrofit in the same configuration as your existing HID luminaires. For example, a 60-watt Block Mini (BLM-60) delivers virtually the same illumination as its equivalent 250 watt HPS luminaire while providing 80% reduction in energy costs and up to 130,000 hours of continuous operation.




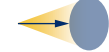




MODELS	Lumen Output (Lm)	MH Equivalent (W)	HPS Equivalent (W)
BLM-21	2,977	100	150
BLM-40	5,617	150	200
BLM-50	6,945	175	225
BLM-60	8,100	200	250

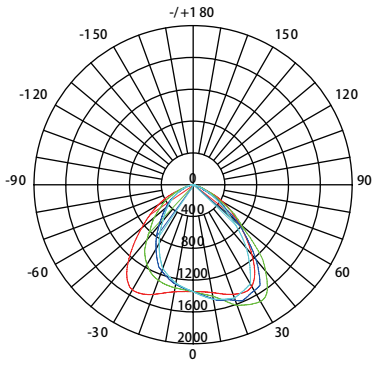
THE RIGHT BEAM PATTERN FOR YOUR APPLICATION

RSL optic package is engineered to deliver maximum footcandles efficiently where you need them, without wasted light or overspill.

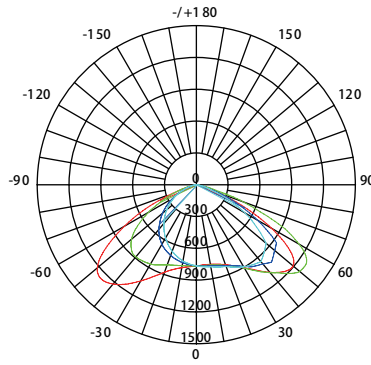
RSL offers complimentary lighting design services for our products using industry-leading AGI32 software, tailored for projects of all sizes in harsh and hazardous locations. We assist you in determining the number of fixtures needed, the types of lights to use, their optimal placement, and how to maximize energy savings—all within budget.

Simply fill out the form (<https://www.redskyighting.com/lighting-design>) with a few key details, request a layout, and we'll bring your ideas to life within 2-5 business days.

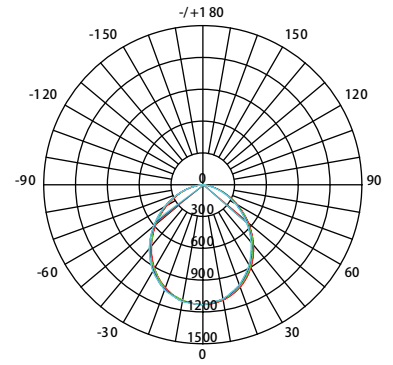
Beam	NEMA/IESNA Type	Beam Description	Beam Projection Distance
30°	NEMA 3	Medium Narrow	
60°	NEMA 4	Medium	
90°	NEMA 5	Medium Wide	
120°	NEMA 6	Wide	
T1	Type I	Asymmetric distributions, well suited for narrow areas, such as Conveyor belts, Aisleways, Catwalks, Loading docks and Tunnels.	
T2	Type II	Asymmetric distributions, well suited for narrow areas, such as roadways, paths and driveways.	
T3	Type III	Asymmetric distributions, well suited for site / area perimeters, wide roadways, and open areas.	
T5	NEMA 7 Type V (Square)	Very Wide: symmetrical pattern with excellent uniformity for large, open areas.	



Type II



Type III

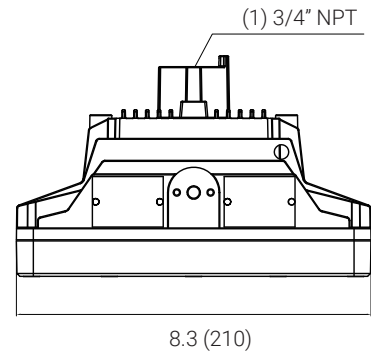
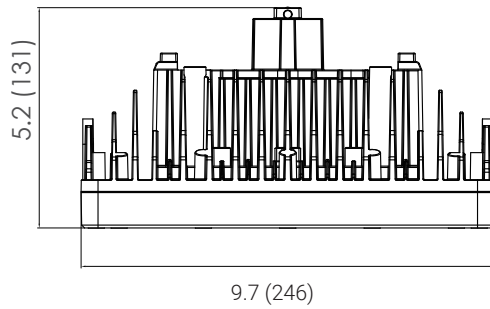


Type V (NEMA 6 - Wide)

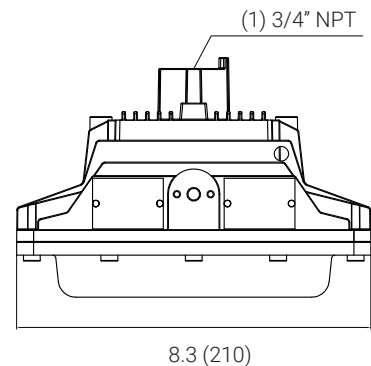
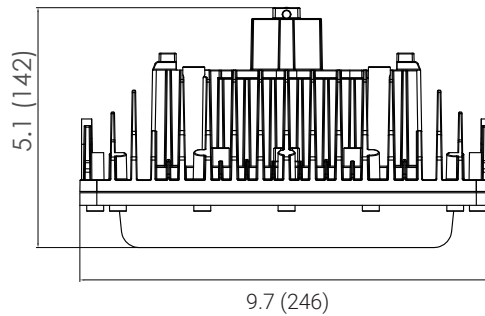
DIMENSIONS

unit: in (mm)

Tempered Glass



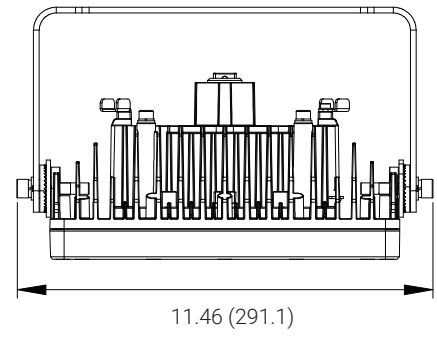
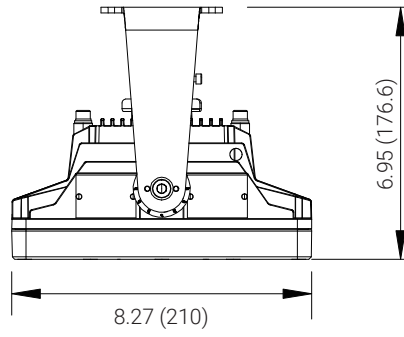
Polycarbonate



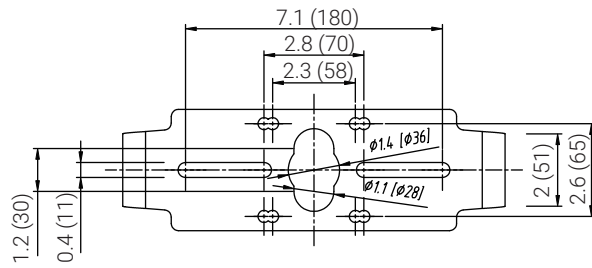
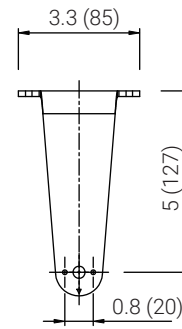
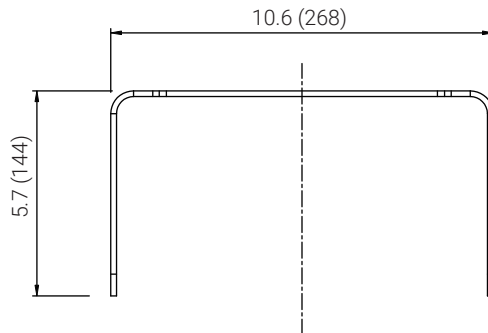
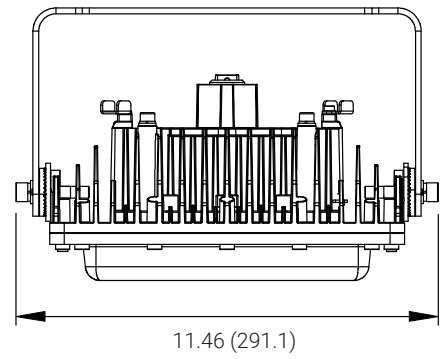
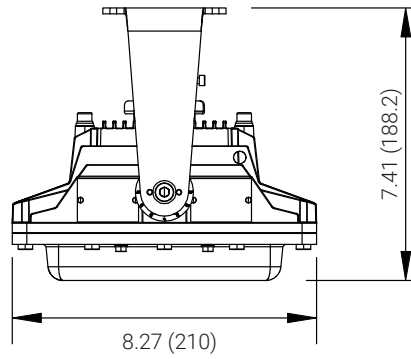
Pendant

unit: in (mm)

Tempered Glass



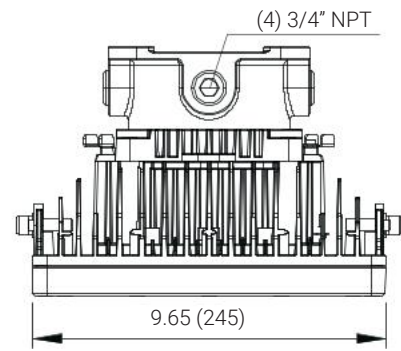
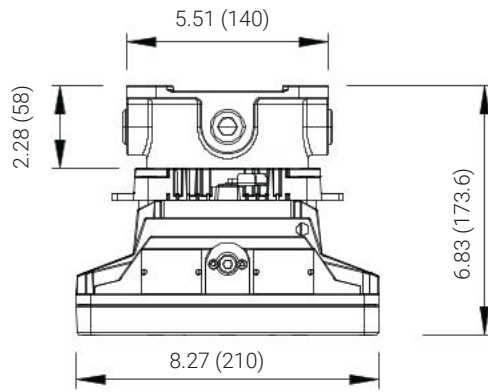
Polycarbonate



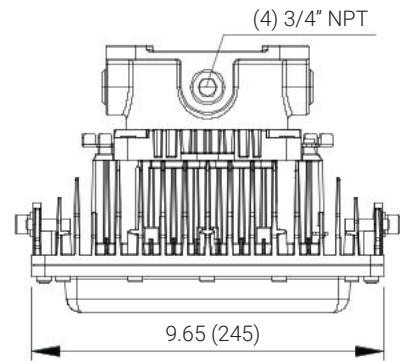
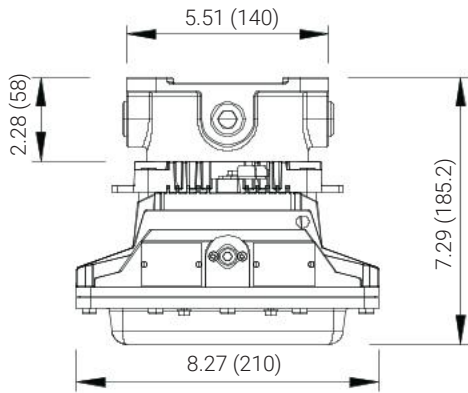
Yoke

unit: in (mm)

Tempered Glass

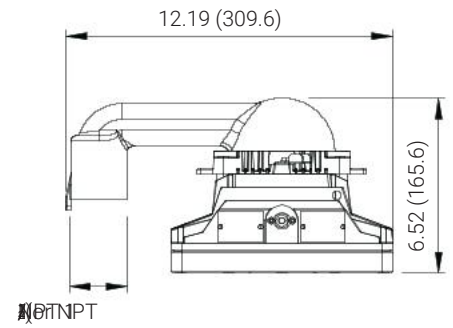
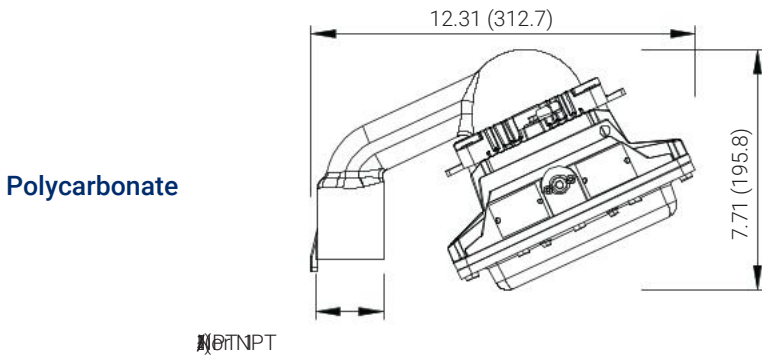
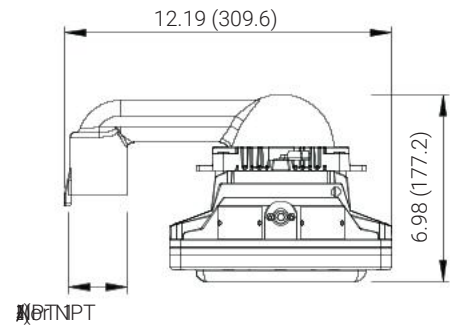
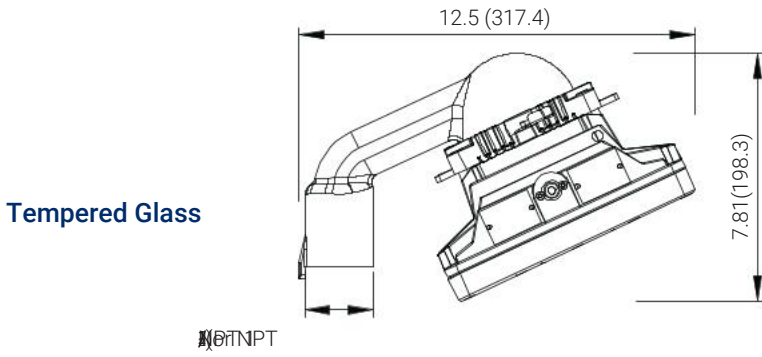


Polycarbonate

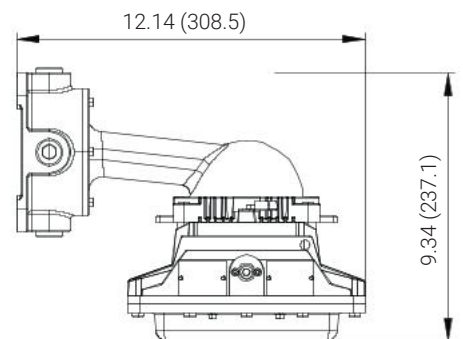
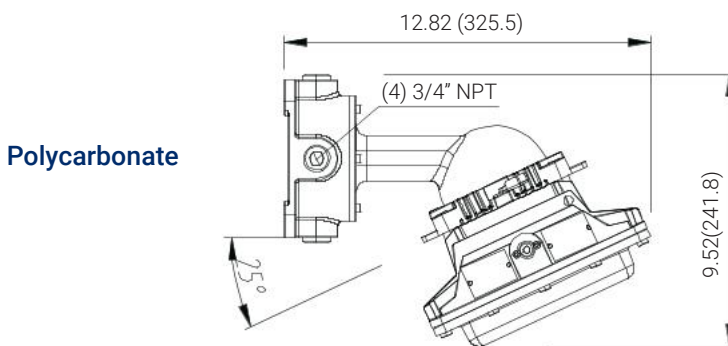
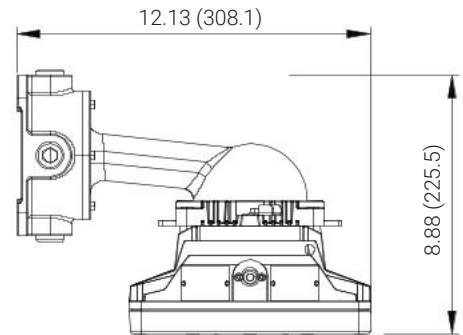
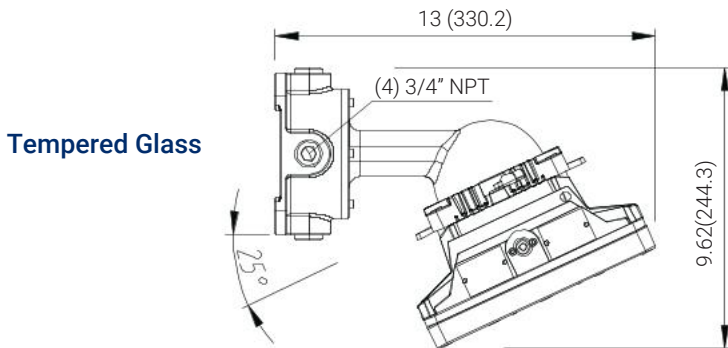


Ceiling

unit: in (mm)



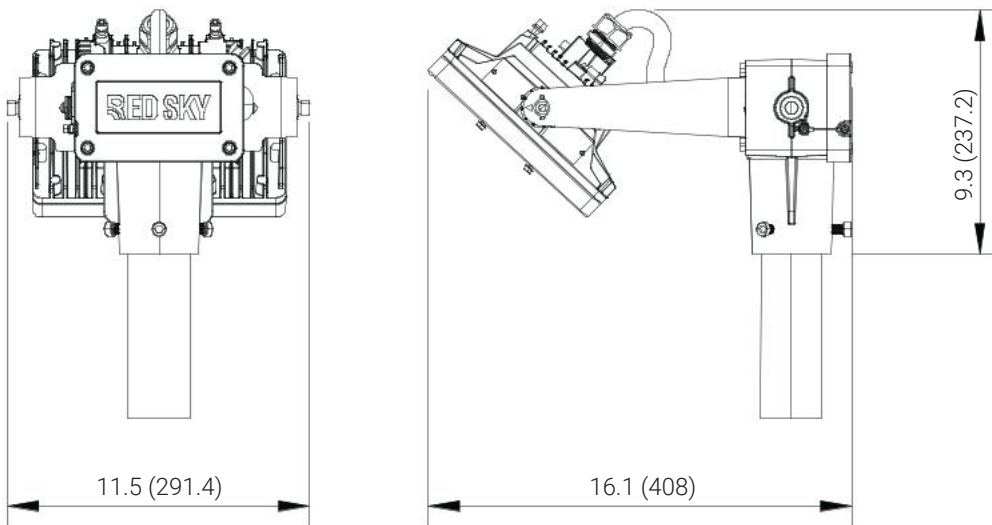
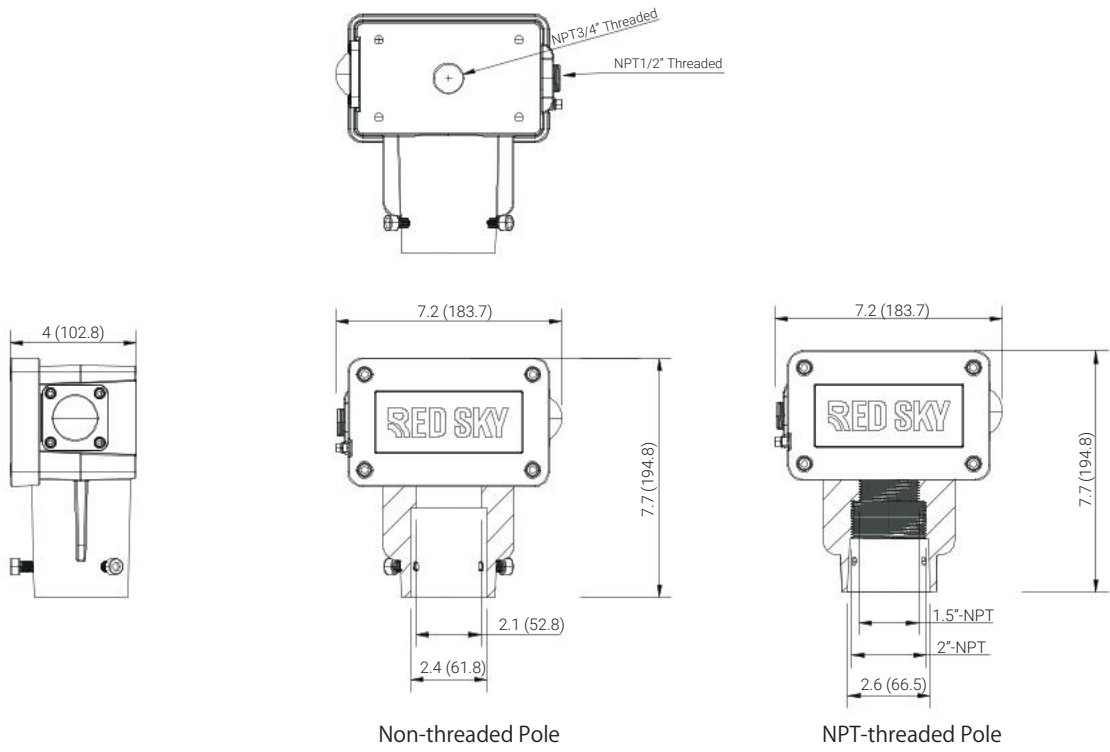
Stanchion



Wall

DIMENSIONS

unit: in (mm)



Slip-fit Junction Box

Let's light your next project—
Email us at [**contact@redskylighting.com**](mailto:contact@redskylighting.com),
call us at **1 (262) 456-5002**
or visit [**www.redskylighting.com**](http://www.redskylighting.com) to get started.

Disclaimer

All product information is subject to change without notice.
Please contact Red Sky Lighting or your sales representative for the most up-to-date specifications.