

General Safety Information

- To reduce the risk of death, personal injury or property damage from fire, electric shock, falling parts, cuts/abrasions and other hazards, please read all warnings and instructions included with and on the fixture box and all fixture labels.
- Before installing, servicing, or performing routine maintenance upon this equipment, please follow these general precautions.
- Commercial installation, service and maintenance of luminaires should be performed by a qualified licensed electrician.
- DO NOT INSTALL DAMAGED PRODUCT!
- Make sure that the supply voltage is the same as the luminaire voltage.
- Do not install where the marked operating temperatures exceed the ignition temperatures of the hazardous atmosphere.
- Do not operate in ambient temperatures above those indicated on the luminaire nameplate.
- All gasket seals must be clean and undamaged.



WARNING:

RISK OF ELECTRICAL SHOCK

- Luminaire shall have provision for connection to threaded rigid metal conduit or other wiring methods in accordance with Article 502 in the National Electrical Code, NFPA 70.
- Turn off electrical power at fuse or circuit breaker box before wiring luminaire to the power supply.
- Turn off the power when you perform any maintenance.
- Verify that supply voltage is correct by comparing it with the luminaire label information.
- Make sure all electrical and grounded connections in accordance with the National Electrical Code and any applicable local code requirements and Hazloc requirements and suitable for wiring system.
- All wiring connections should be capped with UL approved wire connectors.
- Luminaire must be supplied by a wiring system with an equipment grounding conductor.

CAUTION:

RISK OF INJURY

Tightly close when energized for safety ;
 Do not open the luminarie after installation ;
 Wear gloves and safety glasses at all times when removing luminaire from carton, installing, servicing or performing maintenance;
 Avoid direct eye exposure to the light source while it is on;
 Properly handle small parts and destroy packing material, as these may be hazardous to children.

RISK OF FIRE

Keep combustible and other materials that can burn away from luminaire and lamp/lens.

Compliance:

UL 514A / CSA C22.2#18.1

IP66 ENCLOSURE ONLY WHEN USED WITH COMPATIBLE MOUNTING HOOD.

Reference luminaire for hazardous locations and environmental ratings. This adapter is not suitable for hazardous locations and environmental ratings not covered by the luminaire.

Refer to the luminaire nameplate for specific classification information, maximum ambient temperature suitability and corresponding operating temperature (T-Code).

APPLICATION

Retro Fit Series are designed for 1-for-1 retrofit installation and placement in hazardous and ordinary locations without opening the conduit system, being able to mount directly to the pre-existing top hats from 7 legacy brands.

Retrofit adapter is compatible with the following top hats:

Eaton's Crouse-Hinds-Champ®				
Pendant	Ceiling	Wall	Stanchion	Quad Mount
APM2	CM2	TVM2	JM5	QM25
APM3	CM3	TVM3	PM5	
HPM2				

Appleton® Mercmaster III			
Pendant	Ceiling	Wall	Stanchion
KPA- 75, 100	KPC-75	KPWB-75	KPS-125
KPAF-75, 100	KPC-100	KPWB-100	KPS-150
KPCH-75, 100			KPST-125
			KPST-150

Appleton® Mercmaster II			
Pendant	Ceiling	Wall	Stanchion
LPA-75	LPC-75	LPWB-75	LPS-125
LPA-100	LPC-100	LPWB-100	LPS-150

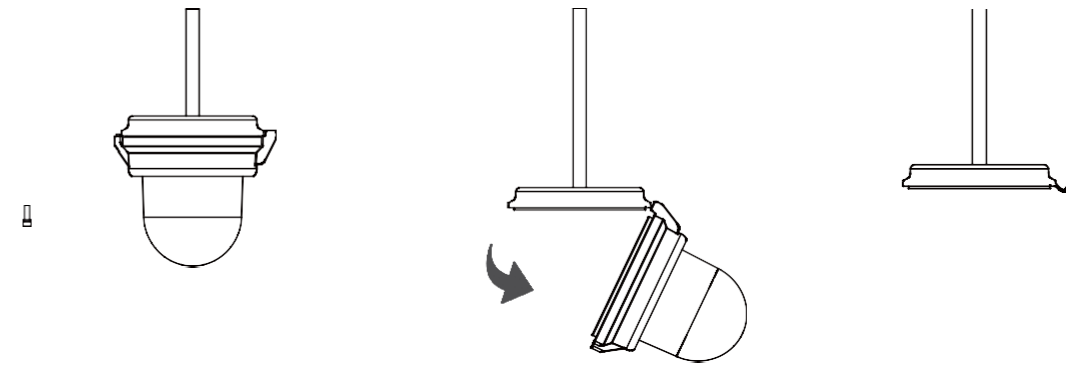
Killark® Certilite® & Certilite® V			
Pendant	Ceiling	Wall	Stanchion
VMA2B & VMA-2	VMX2B & VMX-2	VMB2B & VMB-2	VMD4B
VMA3B & VMA-3	VMX3B & VMX-3	VMB3B & VMB-3	VMD5B
VMC2B & VMC-2	VMX6B, 7B, 8B, 9B		VMS5B
VMC3B & VMC-3			

Thomas & Betts Hazlux®				
Pendant	Pendant Cone	Flexible Pendant	Ceiling	Wall
VP2	VA2	VF2	VC2	VB2
VP3	VA3	VF3	VC3	VB3
Wall	25° Angle Stanchion	25° AngleStanchion	Straight Stanchion	Straight Stanchion
VB2-VB	VS4	VS4-VIB	VL4	VL4-VIB
VB3-VB	VS5	VS5-VIB	VL5	VL5-VIB

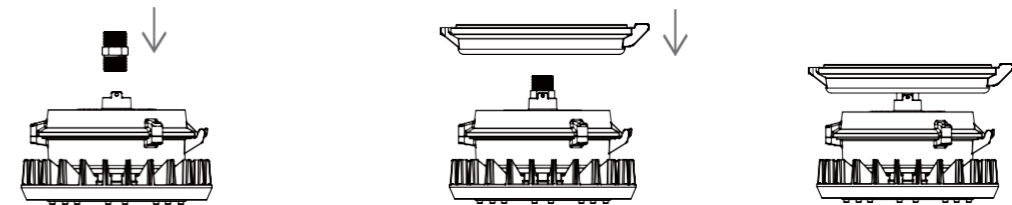
Holophane® Petrolux II, III				
Pendant	Universal	Stanchion	Ceiling	Wall
PD	UN	SA	CD	WL
GH		ST	CE	W
P		A	B, C, D	

GE Lighting Solutions – Filtr-Gard™				
Pendant	Flexible pendant	Ceiling	Wall	Stanchion
3P	3F	3C	3W	5S,6S
4P	4F	4C	4W	5J, 6J

STEP 1: Make sure the power is turned off, the fixture you are replacing is de-energized; De-terminate the existing wiring; Remove the old fixture housing from the top hat. Inspect the top hat seal surfaces for damage and ensure that all gaskets and sealing surfaces are clean and free of debris. Wipe with a damp lint free cloth and then dry fully before installation.

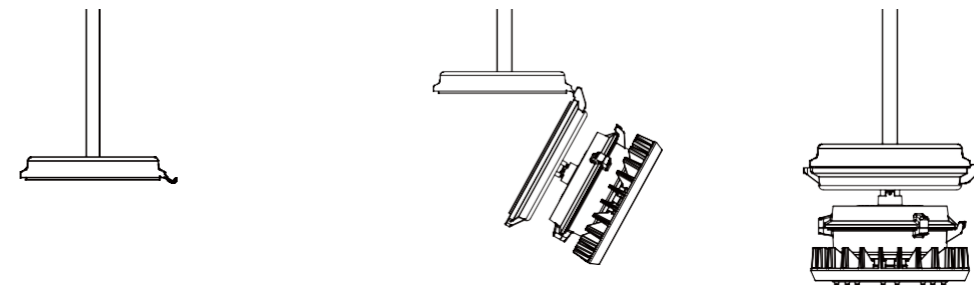


STEP 2: Thread the male-to-male connector onto the retrofit adapter and fixture; Tighten the M4 set-screw.



STEP 3: Hang the assembled luminaire and adapter onto the hinge hook of the hood; Connect supply wires to luminaire wire leads, ensure that the top hat is connected to earth ground; Tighten all electrical connections.

STEP 4: Seal the adapter onto the top hat by tightening the closing screw to recommended torque 79 in-lbs (8.9 N-m), making sure that all wires are safely inside and positioned appropriately.



STEP 5: Turn power on and verify proper operation of the luminaire.

Serviceing

To avoid personal injury, disconnect power to the light and allow the unit to cool down before performing maintenance.

- Perform visual, electrical, and mechanical inspections on a regular basis. The environment and frequency of use should determine this. However, it is recommended that checks should be made at least once a year.

The external lens and adaptor should be cleaned periodically to ensure continued luminaire performance. Clean the lens and adaptor with a clean, damp, non-abrasive, lint-free cloth. If this is not sufficient, use a mild soap or a liquid cleaner. Do not use an abrasive, strong alkaline or acid cleaner as damage may occur.

- Inspect the cooling fins of the luminaire to ensure that they are free of any contamination (i.e. excessive dust build-up). Clean with a non-abrasive cloth if needed.
- Mechanically check to make sure all parts are properly assembled.
- Electrically check to make sure that all connections are clean and tight.

Warranty

We warrant that each of our luminaire and parts (the "Product(s)") that are purchased while this Warranty is in effect will be free from defects in materials and workmanship for the period of time specified in the table below (the "Warranty Period"). The Warranty Period runs from the date of original purchase from its authorized distributor/dealer.

We will repair, or at our option, replace the defective product (exterior finish, housing and heat sinks, lens, LED engine, power supply) during the standard warranty period. This warranty applies only to the repair or replacement of the product and only when the product is properly handled, installed and maintained according to our instructions.

This warranty excludes defects resulting from improper installation, acts of God, fire, vandalism or civil disturbances, power surges or improper power supply, and corrosive environment installations.

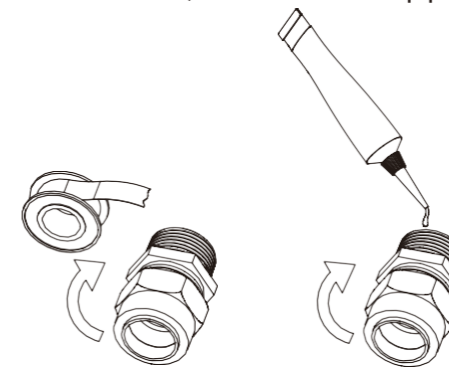
This warranty does not cover equipment, systems or components from other manufacturers that the Purchaser uses in conjunction with the Product. Any repair, alteration or modification of the Product, including replacement of Product components with components of other manufacturers will void the warranty in its entirety.

Product	Which Model Nos. are Covered by this Warranty	Warranty Period
Retrofit Adaptor	RTR Series	Five (5) Years

NPT Assembly Instructions:

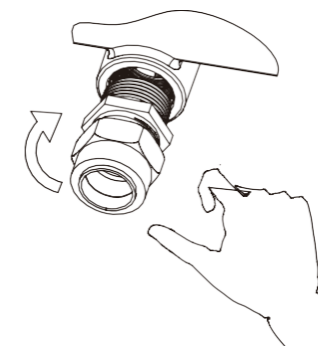
STEP 1: Inspect port and fitting to ensure that both are free of contaminants and excessive burrs and nicks.

STEP 2: Apply a stripe of an anaerobic liquid pipe sealant around the male threads leaving the first two threads uncovered. If no liquid sealant is available, wrap Teflon tape (width of 12.7mm and thickness of 0.1mm) 2.5- 3 turns in a clockwise direction, viewed from the pipe end, leaving the rest two threads uncovered.

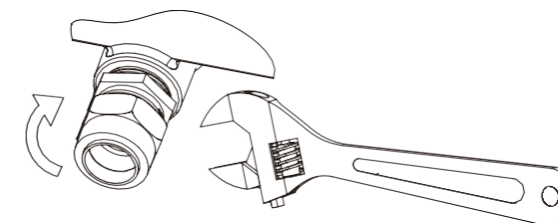


CAUTION: Teflon tape and some pipe sealants are destructive to hydraulic components. Always use extreme caution and follow manufacturer's recommendations for proper application of any sealant in order to prevent contamination.

STEP 3: Screw finger tight into the port



STEP 4: Wrench tighten the fitting to the correct Turns Past Finger Tight position. A properly assembled fittings total thread engagement should be 3.5 to 6 turns.



CAUTION: Never back off an installed pipe fitting to achieve proper alignment. Loosening installed pipe fittings will corrupt the seal and contribute to leakage and failure. (*Applicable standard: ASME B1.20.1-2013)