

MODULAR MAX SERIES

LED LIGHTING FOR HARSH AND HAZARDOUS AREAS
FLOOD & HIGHBAY



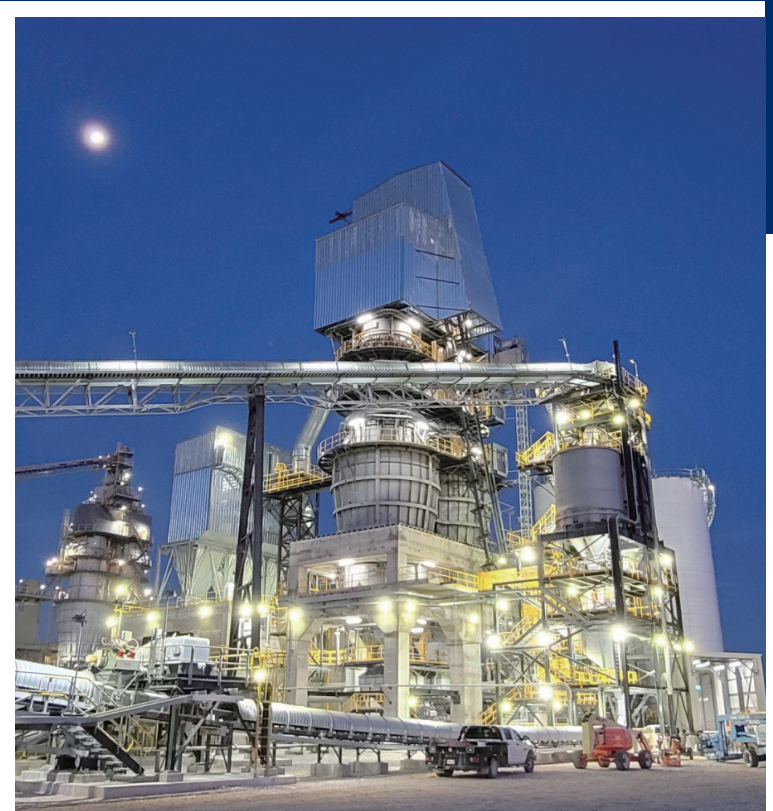
Reliable. Durable. Efficient.
15,000 to 70,000 lumen models

RED SKY
SERIOUSLY SAFE LIGHTS™

ABOUT RED SKY LIGHTING

PIONEERING INDUSTRIAL ILLUMINATION FOR HARSH & HAZARDOUS CONDITIONS

- A leading manufacturer of premium LED lights for demanding work conditions
- Headquartered in California, products assembled in the USA
- Servicing global clients across 4 continents in metal processing, oil & gas, marine, manufacturing
- Renowned for quality, dependability, client care and uncompromising safety standards



WHY CHOOSE RED SKY

❧ SERIOUSLY SAFE LIGHTS

- Rigorously tested in our professional labs
- Surpassing industry certifications and safety protocols
- Crafted with highest grade components for maximum durability

❧ TOP-NOTCH SERVICES

- Team of experts for seamless support
- Energy audit services, lighting simulation services
- Hassle-free return policy and management

❧ FAST DELIVERY

- Majority of orders delivered within 14 days
- Same day shipping for products in stock
- Real-time order tracking for full transparency

❧ SUSTAINABLE SOLUTIONS

- High luminous efficacy LEDs for energy savings
- Conscious product design
- Recyclable materials for products and packaging



MODULAR MAX SERIES



The Modular Max Series packs powerful performance with a high lumen output of up to 70,000 lumens and excellent luminous efficacy of up to 180lm/W. This is achieved while maintaining a lightweight and compact design, making it over 25% lighter than comparable C1D2/C2D1 floodlights.

Certified for C1D2/C2D1 hazardous locations, the Modular Max Series withstands even the harshest environments. Its craftsmanship and rigorous testing ensure optimal performance under extreme conditions, maintaining high output from -49°F to +149°F (-45°C to +65°C). An outstanding thermal design and robust quality provide durable operation.

Versatile, intelligent design allows equal use as a floodlight or high bay solution. Unique product structure design simplifies installation and manufacturing. The light housing utilizes recyclable metal alloys, supporting sustainability. Additional accessories reduce light pollution, Red Sky Lighting is committed to responsible, efficient, and eco-friendly solutions. The Modular Max Series delivers unprecedented performance for demanding industrial applications.



FEATURES



- ❧ **Compact and Light-Weight Design**
- ❧ **Offering 15,000-70,000 Lm Wide Range Selection**
- ❧ **Safe and Reliable Heat Transfer, Can Be Performed in High/Low Ambient Temperatures**
 -49°F to +149°F for 15,000 - 40,000 Lm
 -49°F to +131°F for 50,000 - 70,000 Lm
- ❧ **Easy Installation**
 Easy Wiring, More Room for Wiring
- ❧ **10-Years Warranty**

RATINGS

| | |
|---------------------------------------|---|
| Class I Division 2, Groups A, B, C, D | UL 1598 Wet Locations |
| Class II Division 1 Group E, F, G | UL 1598A Marine Outside Type (Salt Water) |
| Class II Division 2, Groups F, G | IP66/67, NEMA 4X |
| Class III | IK08 (glass lens cover) |
| Simultaneous Presence | 3G Vibration (ANSI C136.31) |
| Class I, Zone 2, Group IIC | |
| Zone 20, 21 & 22 | |

CERTIFICATIONS

UL844
 UL1598
 UL1598A
 CSA C22.2 NO. 250.0
 CSA C22.2 No. 137
 DLC (Pending)
 Dark sky compliance (Pending)

TECHNICAL PARAMETERS

| Specification | MDX-15L | MDX-20L | MDX-30L | MDX-40L | MDX-50L | MDX-60L | MDX-70L |
|------------------------------------|---|----------|----------|-------------------------------|----------------------------------|----------|----------|
| Electrical Parameters | | | | | | | |
| Power | 90W | 120W | 190W | 260W | 310W | 380W | 440W |
| Voltage/Frequency | 100-277V AC, 347-480V AC 50/60Hz | | | | | | |
| Power Factor | >90% | | | | | | |
| THD | <20% | | | | | | |
| L70 | 230,000 Hours@149°F | | | | | | |
| Dimming | 0-10V | | | | | | |
| Surge Protection | 10KA | | | | | | |
| Warranty | 10 years | | | | | | |
| Optical Parameters | | | | | | | |
| Lumen Output* | 15,965Lm | 20,460Lm | 31,305Lm | 39,864Lm | 49,486Lm | 60,933Lm | 69,987Lm |
| Lumen Efficacy* | 180Lm/W | | | | | | |
| Available Beam Angle | 30° / 60° / 90° / 120° / T2 / T3 / T5 | | | | | | |
| Correlated Color Temperature (CCT) | 2700K / 4000K / 5000K | | | | | | |
| Color Rendering Index (CRI) | Ra>70 | | | | | | |
| Mechanical Parameters | | | | | | | |
| Finish | Thermoset Powdercoat | | | | | | |
| Hardware | Stainless steel 316 | | | | | | |
| Lens Material | Clear Glass | | | | | | |
| Mounting Options | Pendant, Straight Yoke, Angled Yoke, Chain, Stanchion | | | | | | |
| Product Weight | 21.8lbs/9.9kg | | | | 36.3lbs/16.5kg | | |
| Cable Entry | (5) 3/4" NPT | | | | | | |
| Product Dimensions(L×W×H) | 14.1×9.8×7.4in (357×250×189 mm) | | | | 19.9×14.1×7.4in (505×357×189 mm) | | |
| Environmental Parameters | | | | | | | |
| Ambient Operating Temperature | -49°F ~ +149°F (-45°C ~ 65°C) | | | -49°F ~ +131°F (-45°C ~ 55°C) | | | |
| T-Code Rating | CID2 – T3C, C2D1 – T4 | | | | | | |
| EPA wind rating (FT2) | 1.753 (Yoke), 1.888 (Stanchion) | | | | 2.864 (Yoke), 2.999 (Stanchion) | | |

* Value calculated based on 5000K and Clear Glass, varies to different spec.

ORDERING INFORMATION

EXAMPLE: MDX-20L-100-277-5K-120-H2-CG-GRY-AYK

MDX — 20L — 100-277 — 5K — 120 — H2 — CG — GRY — AYK

PRODUCT
SERIES

LUMEN LEVEL

15L - 15,000
20L - 20,000
30L - 30,000
40L - 40,000
50L - 50,000
60L - 60,000
70L - 70,000

VOLTAGE

100 - 277
100-277V AC
347 - 480
347-480V AC

CCT

27K - 2700K*
4K - 4000K
5K - 5000K

MOUNTING

PND - Pendant
SYK - Straight Yoke
AYK - Angled Yoke

COLOR

GRY - Grey

LENS

CG - Clear Glass

RATING

H2 - C1D2 / C2D1 / C3
HS - UL1598/A**

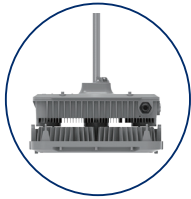
BEAM

30 - 30° (NEMA 3 - Medium Narrow)
60 - 60° (NEMA 4 - Medium)
90 - 90° (NEMA 5 - Medium Wide)
120 - 120° (NEMA 6 - Wide)
T2 - Type II
T3 - Type III
T5 - Type V (NEMA 7 - Very Wide)

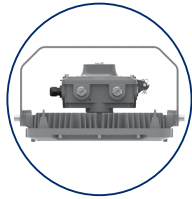
* Expect longer lead-time.

** Harsh ver. only: Pre-installed 5 Pin NEMA Socket Receptacle allows for easy attachment of photocell (purchase separately) or other smart lighting device. Dimming capable at 120-480Vac. Ships with shorting cap.

MOUNTING ACCESSORIES



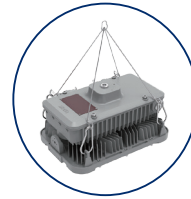
Pendant



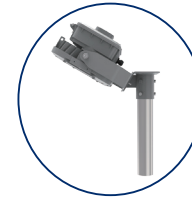
Straight Yoke



Angled Yoke



Chain



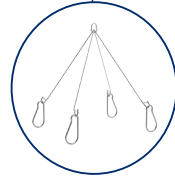
Stanchion



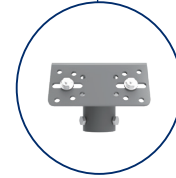
MDX-S YOKE S
MDX-S YOKE D



MDX-A YOKE S
MDX-A YOKE D



CHAIN02



STAN01

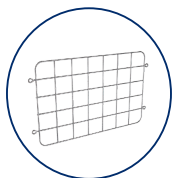
| Mounting Method | PN | Description | MPN Code |
|-----------------|--------------|--|-----------|
| Straight Yoke | MDX-S YOKE S | Straight YOKE Mount, Stainless Steel, for Single Module | 310010114 |
| | MDX-S YOKE D | Straight YOKE Mount, Stainless Steel, for Double Module | 310010116 |
| Angled Yoke | MDX-A YOKE S | Angled YOKE Mount, Stainless Steel, for Single Module | 310010115 |
| | MDX-A YOKE D | Angled YOKE Mount, Stainless Steel, for Double Module | 310010117 |
| Chain | CHAIN02 | CHAIN HANG KIT, Stainless Steel | 309050358 |
| Stanchion | STAN02* | Slip-Fit Stanchion Mount Kit, M25, SS304, Power Coated Grey RAL7037 (φ2.5in) | 309050362 |

* Requires A Straight Yoke

OTHER ACCESSORIES



HOOK02



MDX-WG



SFCB05



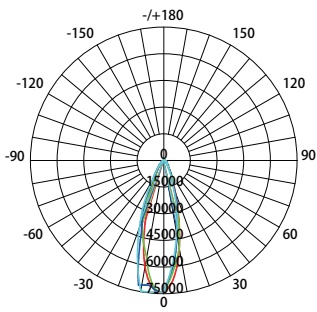
MDX-VISO

| PN | Description | MPN Code |
|----------|---|-----------|
| HOOK02 | M10 Hook with 3/4" NPT (SUS316) | 309050331 |
| MDX-SWG | Wire Guard for glass lens, for Single Module | 309050360 |
| MDX-DWG | Wire Guard for glass lens, for Double Module | 309050361 |
| SFCB01 | 3ft Safety Cable Kit, BLK & RDX SERIES, SS304 | 106060018 |
| MDX-VISO | VISOR MOD SERIES | 309050359 |
| GLCO-03 | Cord 3ft with gland for C1D2 only | 204020003 |
| GLCO-10 | Cord 10ft with gland for C1D2 only | 204020004 |

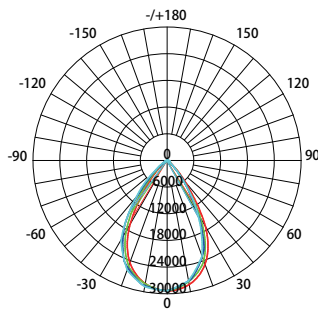
LUMEN TABLE

| Part Number | Power (W) | CCT | Beam | Lens | Lumen Output (Lm) | Efficiency (Lm/W) |
|--------------------------------------|-----------|-------|------|-------------|-------------------|-------------------|
| Voltage 100-277V AC | | | | | | |
| MDX-15L-100-277-5K-30-H2-CG-GRY-PND | 90 | 5000K | 30 | Clear Glass | 16,079 | 176 |
| MDX-15L-100-277-5K-60-H2-CG-GRY-PND | 90 | 5000K | 60 | Clear Glass | 16,124 | 177 |
| MDX-15L-100-277-5K-90-H2-CG-GRY-PND | 90 | 5000K | 90 | Clear Glass | 16,467 | 180 |
| MDX-15L-100-277-5K-120-H2-CG-GRY-PND | 90 | 5000K | 120 | Clear Glass | 15,965 | 175 |
| MDX-15L-100-277-5K-T2-H2-CG-GRY-PND | 90 | 5000K | T2 | Clear Glass | 15,000 | 165 |
| MDX-15L-100-277-5K-T3-H2-CG-GRY-PND | 90 | 5000K | T3 | Clear Glass | 15,707 | 172 |
| MDX-15L-100-277-5K-T5-H2-CG-GRY-PND | 90 | 5000K | T5 | Clear Glass | 14,384 | 157 |
| MDX-20L-100-277-5K-30-H2-CG-GRY-PND | 120 | 5000K | 30 | Clear Glass | 20,632 | 174 |
| MDX-20L-100-277-5K-60-H2-CG-GRY-PND | 120 | 5000K | 60 | Clear Glass | 20,585 | 174 |
| MDX-20L-100-277-5K-90-H2-CG-GRY-PND | 120 | 5000K | 90 | Clear Glass | 21,037 | 177 |
| MDX-20L-100-277-5K-120-H2-CG-GRY-PND | 120 | 5000K | 120 | Clear Glass | 20,460 | 173 |
| MDX-20L-100-277-5K-T2-H2-CG-GRY-PND | 120 | 5000K | T2 | Clear Glass | 19,149 | 161 |
| MDX-20L-100-277-5K-T3-H2-CG-GRY-PND | 120 | 5000K | T3 | Clear Glass | 20,021 | 169 |
| MDX-20L-100-277-5K-T5-H2-CG-GRY-PND | 120 | 5000K | T5 | Clear Glass | 18,244 | 154 |
| MDX-30L-100-277-5K-30-H2-CG-GRY-PND | 190 | 5000K | 30 | Clear Glass | 31,463 | 166 |
| MDX-30L-100-277-5K-60-H2-CG-GRY-PND | 190 | 5000K | 60 | Clear Glass | 31,586 | 166 |
| MDX-30L-100-277-5K-90-H2-CG-GRY-PND | 190 | 5000K | 90 | Clear Glass | 32,082 | 169 |
| MDX-30L-100-277-5K-120-H2-CG-GRY-PND | 190 | 5000K | 120 | Clear Glass | 31,305 | 165 |
| MDX-30L-100-277-5K-T2-H2-CG-GRY-PND | 190 | 5000K | T2 | Clear Glass | 29,275 | 154 |
| MDX-30L-100-277-5K-T3-H2-CG-GRY-PND | 190 | 5000K | T3 | Clear Glass | 30,617 | 161 |
| MDX-30L-100-277-5K-T5-H2-CG-GRY-PND | 190 | 5000K | T5 | Clear Glass | 27,970 | 147 |
| MDX-40L-100-277-5K-30-H2-CG-GRY-PND | 260 | 5000K | 30 | Clear Glass | 39,904 | 159 |
| MDX-40L-100-277-5K-60-H2-CG-GRY-PND | 260 | 5000K | 60 | Clear Glass | 40,085 | 160 |
| MDX-40L-100-277-5K-90-H2-CG-GRY-PND | 260 | 5000K | 90 | Clear Glass | 40,632 | 162 |
| MDX-40L-100-277-5K-120-H2-CG-GRY-PND | 260 | 5000K | 120 | Clear Glass | 39,864 | 159 |
| MDX-40L-100-277-5K-T2-H2-CG-GRY-PND | 260 | 5000K | T2 | Clear Glass | 38,008 | 147 |
| MDX-40L-100-277-5K-T3-H2-CG-GRY-PND | 260 | 5000K | T3 | Clear Glass | 39,521 | 153 |
| MDX-40L-100-277-5K-T5-H2-CG-GRY-PND | 260 | 5000K | T5 | Clear Glass | 36,295 | 141 |
| MDX-50L-100-277-5K-30-H2-CG-GRY-PND | 310 | 5000K | 30 | Clear Glass | 50,142 | 176 |
| MDX-50L-100-277-5K-60-H2-CG-GRY-PND | 310 | 5000K | 60 | Clear Glass | 49,712 | 174 |
| MDX-50L-100-277-5K-90-H2-CG-GRY-PND | 310 | 5000K | 90 | Clear Glass | 50,554 | 177 |
| MDX-50L-100-277-5K-120-H2-CG-GRY-PND | 310 | 5000K | 120 | Clear Glass | 49,486 | 173 |
| MDX-50L-100-277-5K-T2-H2-CG-GRY-PND | 310 | 5000K | T2 | Clear Glass | 46,072 | 162 |
| MDX-50L-100-277-5K-T3-H2-CG-GRY-PND | 310 | 5000K | T3 | Clear Glass | 48,348 | 170 |
| MDX-50L-100-277-5K-T5-H2-CG-GRY-PND | 310 | 5000K | T5 | Clear Glass | 44,020 | 154 |
| MDX-60L-100-277-5K-30-H2-CG-GRY-PND | 380 | 5000K | 30 | Clear Glass | 62,368 | 176 |
| MDX-60L-100-277-5K-60-H2-CG-GRY-PND | 380 | 5000K | 60 | Clear Glass | 61,877 | 176 |
| MDX-60L-100-277-5K-90-H2-CG-GRY-PND | 380 | 5000K | 90 | Clear Glass | 62,902 | 179 |
| MDX-60L-100-277-5K-120-H2-CG-GRY-PND | 380 | 5000K | 120 | Clear Glass | 60,933 | 172 |
| MDX-60L-100-277-5K-T2-H2-CG-GRY-PND | 380 | 5000K | T2 | Clear Glass | 56,637 | 161 |
| MDX-60L-100-277-5K-T3-H2-CG-GRY-PND | 380 | 5000K | T3 | Clear Glass | 59,504 | 169 |
| MDX-60L-100-277-5K-T5-H2-CG-GRY-PND | 380 | 5000K | T5 | Clear Glass | 54,596 | 155 |
| MDX-70L-100-277-5K-30-H2-CG-GRY-PND | 440 | 5000K | 30 | Clear Glass | 71,035 | 172 |
| MDX-70L-100-277-5K-60-H2-CG-GRY-PND | 440 | 5000K | 60 | Clear Glass | 70,889 | 172 |
| MDX-70L-100-277-5K-90-H2-CG-GRY-PND | 440 | 5000K | 90 | Clear Glass | 72,190 | 175 |
| MDX-70L-100-277-5K-120-H2-CG-GRY-PND | 440 | 5000K | 120 | Clear Glass | 69,987 | 170 |
| MDX-70L-100-277-5K-T2-H2-CG-GRY-PND | 440 | 5000K | T2 | Clear Glass | 65,473 | 159 |
| MDX-70L-100-277-5K-T3-H2-CG-GRY-PND | 440 | 5000K | T3 | Clear Glass | 68,076 | 165 |
| MDX-70L-100-277-5K-T5-H2-CG-GRY-PND | 440 | 5000K | T5 | Clear Glass | 62,659 | 152 |

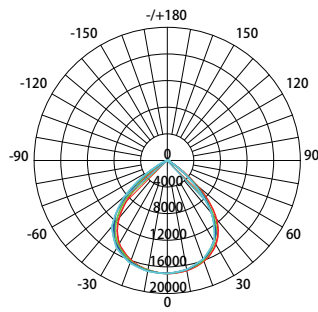
PHOTOMETRIC



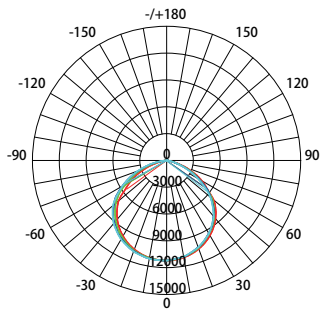
**30°
NEMA 3 - Medium Narrow**



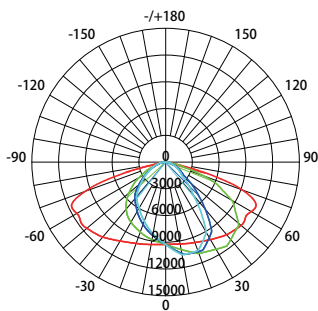
**60°
NEMA 4 - Medium**



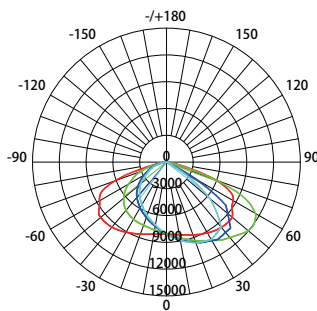
**90°
NEMA 5 - Medium Wide**



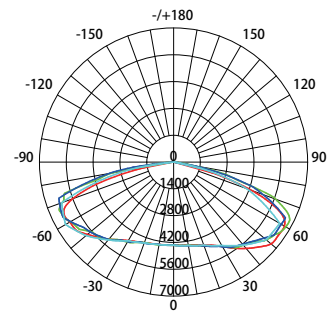
**120°
NEMA 6 - Wide**



Type II



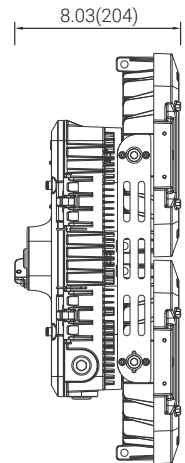
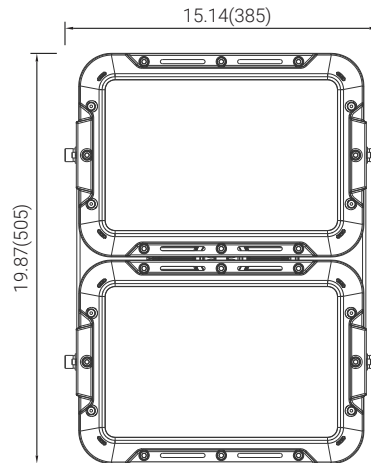
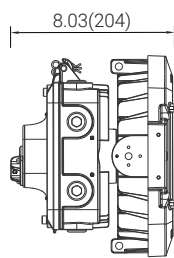
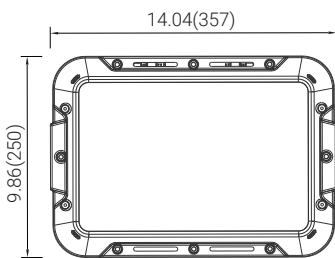
Type III



**Type V
NEMA 7 - Very Wide**

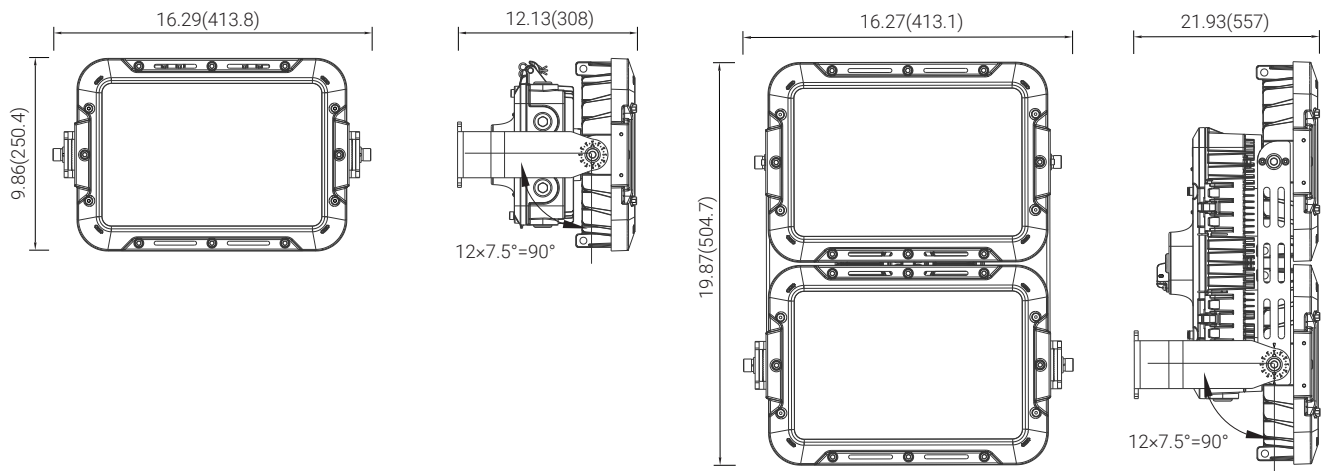
DIMENSIONS

unit: in(mm)

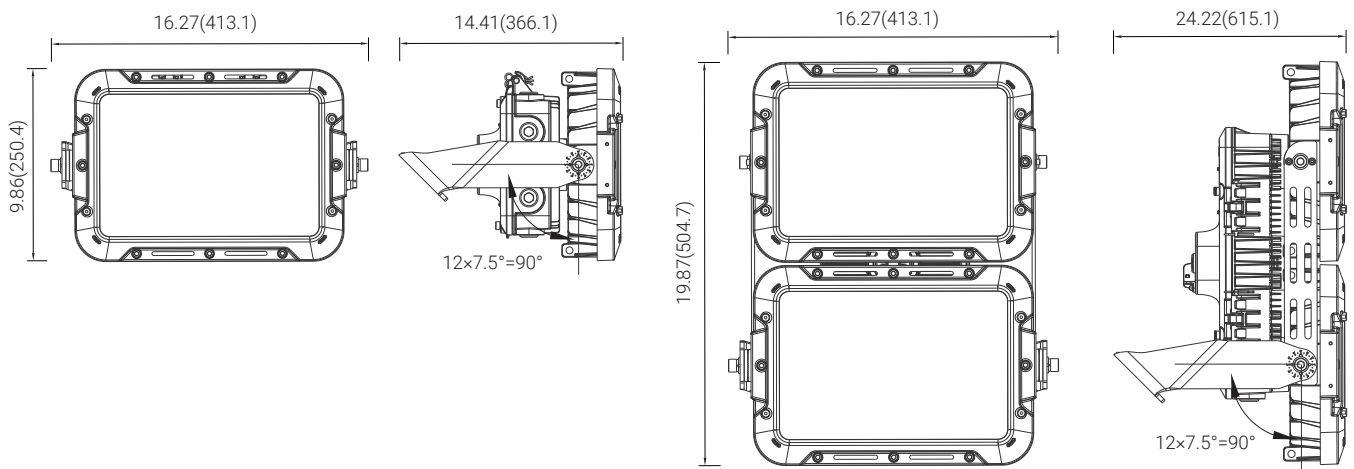


Pendant

unit: in(mm)

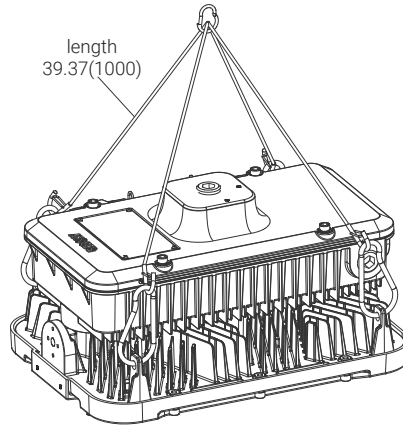


Straight Yoke

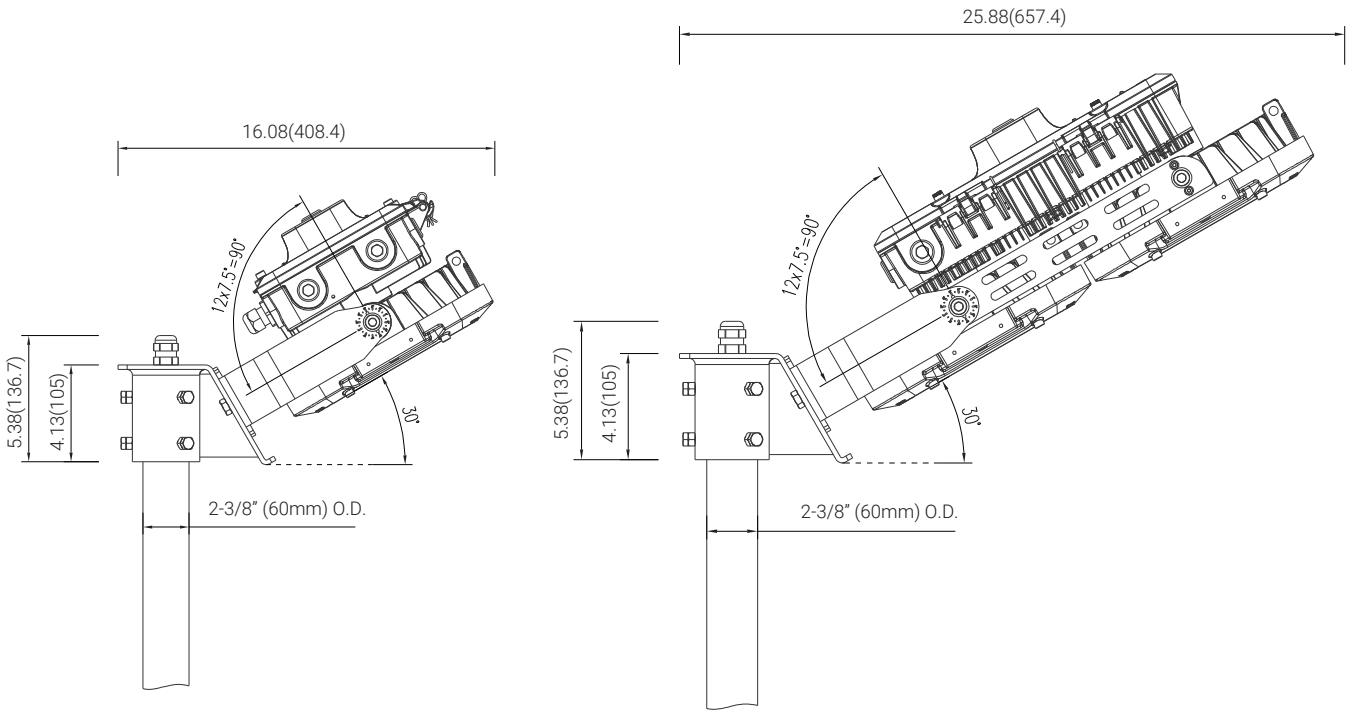


Angled Yoke

unit: in(mm)



Chain



Stanchion

HAZARDOUS LOCATION LIGHTING BASICS

Atmosphere Groups

Temperature Classification

| Substance | Hazard Class | Division Groups | Zone Groups | Max. Surface Temperatures | NEC® 500 CEC® | NEC® 500/IEC-Group II |
|--|----------------------------------|------------------------------|-------------------|---------------------------|---------------|-----------------------|
| Acetylene | Class I Flammable Gases | Group A | IIC | 450(842) | T1 | T1 |
| Hydrogen | | Group B | IIC | 300(572) | T2 | |
| Ethylene | | Group C | IIB | 280(536) | T2A | T2 |
| Propane | | Group D | IIA | 260(500) | T2B | |
| Methane | | Group D | IIA ² | 230(446) | T2C | |
| Combustible Metal Dusts | Class II Combustible Dusts | Group E ¹ | IIIC ³ | 215(419) | T2D | T3 |
| Combustible Carbonaceous Dust | | Group F | IIIB ³ | 200(392) | T3 | |
| Combustible Dusts not in Group E or F (Flour, Grain, Wood, Plastics, Chemicals) | | Group G | IIIB ³ | 180(256) | T3A | |
| Combustible Fibers and Flyings | | Class III Fibers and Flyings | Not Applicable | IIIA ³ | 165(329) | |
| | | | | 160(320) | T3C | T4 |
| | | | | 135(275) | T4 | |
| | | | | 120(248) | T4A | T4 |
| | | | | 100(212) | T5 | T5 |
| | | | | 85(185) | T6 | T6 |

Note 1: Group E is applicable to Class II, Division 1 only.
 Note 2: Methane is a Group IIA Gas for non-mining applications.
 Note 3: Group IIIA, IIIB and IIIC have not been adopted by the Canadian Electrical Code.

Classification of Divisions and Zones

| Hazard Level | Division Scheme | Zone Scheme | Definitions |
|----------------------------------|-----------------|------------------|--|
| Continuous Hazard | Division 1 | Zone 0 / Zone 20 | A place in which an explosive atmosphere is continually present |
| Intermittent Hazard | | Zone 1 / Zone 21 | A place in which an explosive atmosphere is likely to occur in normal operation |
| Hazard Under Abnormal Conditions | Division 2 | Zone 2 / Zone 22 | A place in which an explosive atmosphere is not likely to occur in normal operation, but may occur for short periods |

IP Codes

| 1st No. | Solid Objects |
|---------|--|
| 0 | No protection |
| 1 | Objects greater than 50mm |
| 2 | Objects greater than 12.5mm |
| 3 | Objects greater than 2.5mm |
| 4 | Objects greater than 1mm |
| 5 | Dust protected |
| 6 | Dust proof |
| 2nd No. | Liquids |
| 0 | No protection |
| 1 | Vertically dripping |
| 2 | Dripping up to 15° |
| 3 | Limited spraying |
| 4 | Splashing from all directions |
| 5 | Hosing jets from all directions |
| 6 | Strong hosing jets from all directions |
| 7 | Temporary immersion |
| 8 | Continuous immersion |
| 9 | Steam-jet cleaning |

IK Ratings

| IK Code | Level of Protection Achieved |
|---------|--------------------------------------|
| IK00 | Not protected |
| IK01 | Protected against 0.14 joules impact |
| IK02 | Protected against 0.2 joules impact |
| IK03 | Protected against 0.35 joules impact |
| IK04 | Protected against 0.5 joules impact |
| IK05 | Protected against 0.7 joules impact |
| IK06 | Protected against 1 joules impact |
| IK07 | Protected against 2 joules impact |
| IK08 | Protected against 5 joules impact |
| IK09 | Protected against 10 joules impact |
| IK10 | Protected against 20 joules impact |



+1 (262)456-5002
contact@redskylighting.com
www.redskylighting.com

RED SKY LIGHTING LLC
9370 Pittsburgh Ave
Rancho Cucamonga, CA 91730,
USA

Disclaimer

The product information provided is, to the best of Red Sky Lighting's knowledge, accurate as of the date of publication. However, purchasers and end-users of Red Sky Lighting's products should refer to the documentation available on www.redskylighting.com for the most up-to-date and controlling product specifications, installation manuals, sales terms and conditions, and warranty terms. To the extent any contract is formed for the sale of Red Sky Lighting's products, whether directly with Red Sky Lighting or through any third party, the versions of such documentation posted on www.redskylighting.com as of the date of sale shall govern and prevail over any inconsistent information that may be provided elsewhere. In the event of a conflict between the information contained in this document and that available on www.redskylighting.com, the website documentation shall control.