

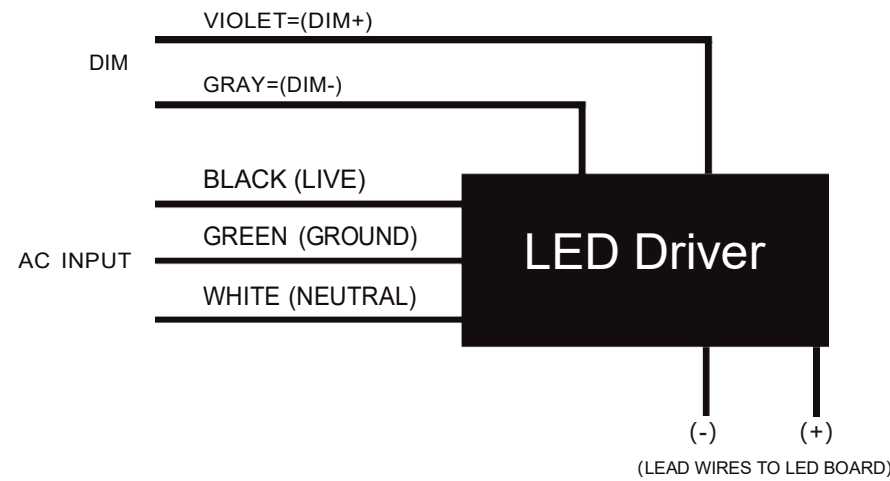
High Bay Hot - HBH

General Wiring Diagram

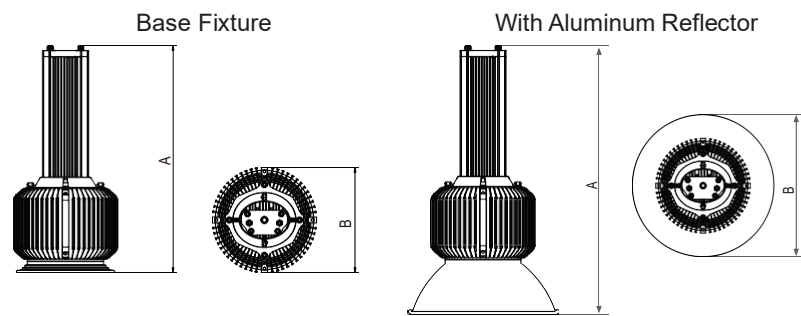
CAUTION:
Turn off electrical power at fuse or circuit breaker box before wiring fixture to the power supply.

Connecting wiring to AC supply source:
All units must be individually connected to the AC supply. 0-10V DC Dimming.

Black = Line Violet = DIM+
White = Neutral Gray = DIM-
Green = Ground



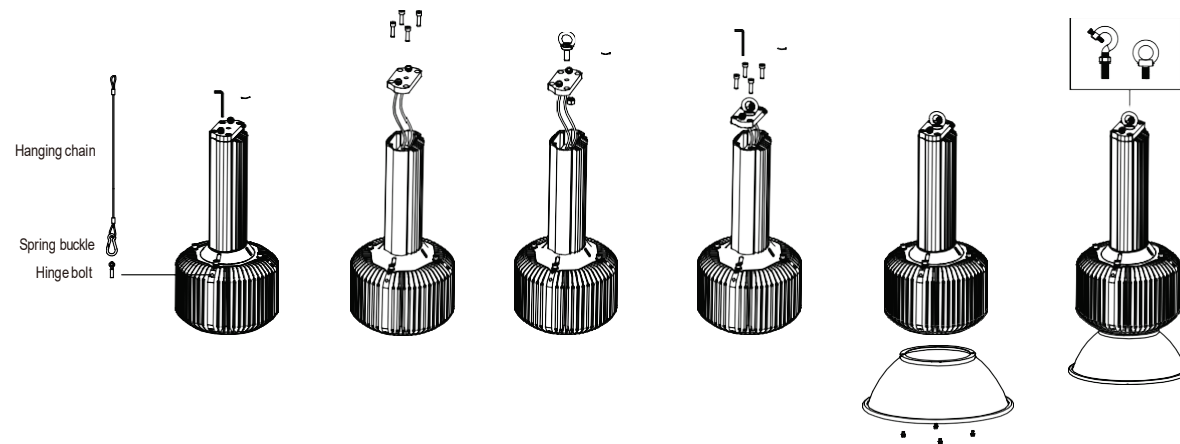
Installation & Operation



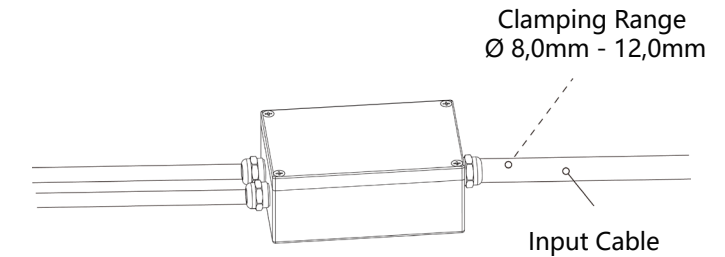
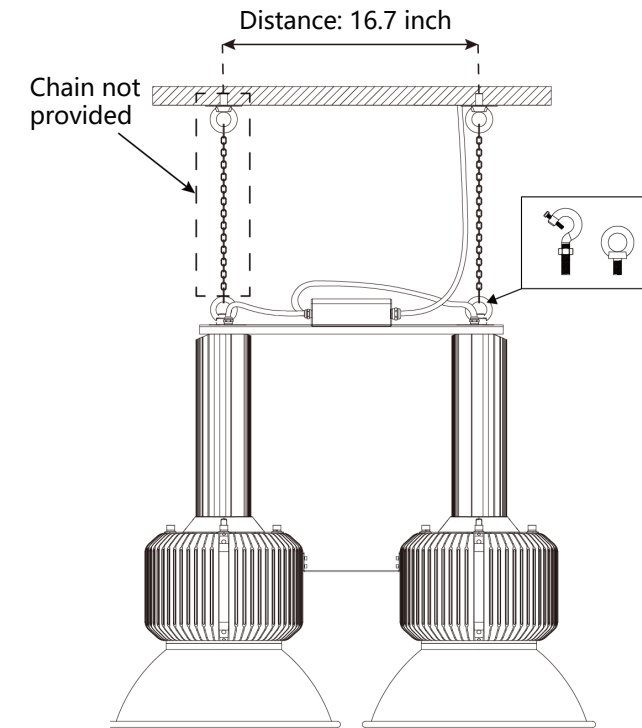
Dimensions (mm)		
Model	A	B
HBH-150-100-277-4000K-110	573	260
HBH-150-100-277-4000K-60	682	380
HBH-150-100-277-5000K-110	573	260
HBH-150-100-277-5000K-60	682	380
HBH-150-347-480-4000K-110	573	260
HBH-150-347-480-4000K-60	682	380
HBH-150-347-480-5000K-110	573	260
HBH-150-347-480-5000K-60	682	380

Hanging Ring

- Step 1: Attach hanging ring** - Attach the M12 eyebolt or hook to the top of the fixture. If equipped with a reflector, secure the reflector under the fixture with four (4) M4 bolts.
- Step 2: Attach the safety cable** - Insert One (1) M8 bolt in the corresponding position of the fixture body, and the safety cable is connected to the bolt through the snap hook.
- Step 3: Install fixture** - Use chain or hook to install the fixture to designated mounting area; connect the end of the safety cable that is not connected to the fixture body to a solid mounting point near where the fixture is hung or mounted.
- Step 4: Electrical connection** - Connect the power input cable, distinguish the polarity (L\N\G) according to the different colors of the power cord, as well as the polarity according to the different colors of the dimming line before the connection.



HBH-TMN



Servicing

- To avoid personal injury, disconnect power to the light and allow the unit to cool down before performing maintenance.
- Perform visual, electrical, and mechanical inspections on a regular basis. It is recommended that checks should be made at least once a year. Frequency of use and environment should determine this.
- The external lens should be cleaned periodically to ensure continued luminaire performance. Clean the lens with a clean, damp, non-abrasive, lint-free cloth. If this is not sufficient, use a mild soap or a liquid cleaner. Do not use an abrasive, strong alkaline or acid cleaner as damage may occur. Organic solvent is absolutely forbidden to soak the lens.
- Inspect the cooling fins on the luminaire to ensure that they are free of any contamination (i.e. excessive dust piles up). Clean with a non-abrasive cloth if needed.
- Mechanically check to make sure all parts are properly assembled.
- Electrically check to make sure that all connections are clean and tight.

Housing

- Heavy-duty anodized aluminum
- Over-voltage and over-heat protection
- Stainless steel exposed fasteners
- Excellent anti-corrosion properties

Warranty

We warrant that each of our LED lighting luminaire (the "Product(s)") that are purchased while this Warranty is in effect will be free from defects in materials and workmanship for the period of time specified in the table below (the "Warranty Period"). The Warranty Period runs from the date of original purchase from its authorized distributor/dealer.

We will repair, or at our option, replace the defective product (exterior finish, housing and heat sinks, lens, LED engine, power supply) during the standard warranty period. This warranty applies only to the repair or replacement of the product and only when the product is properly handled, installed and maintained according to our instructions.

This warranty excludes defects resulting from improper installation, acts of God, fire, vandal-ism or civil disturbances, powersurges or improper power supply, and corrosive environment installations.

This warranty does not cover equipment, systems or components from other manufacturers that the Purchaser uses in conjunction with the Product. Any repair, alteration or modification of the Product, including replacement of Product components with components of other manufacturers will void the warranty in its entirety.

LED Product	Warranty Period
High Bay Hot Series - HBH	4 Year Warranty (12 Hours/day) or 30,000 Hours @ Ta= +65°C - +80°C 5 Year Warranty (24 Hours/day) @ Ta=-40°C - +65°C

General Safety Information

- To reduce the risk of death, personal injury or property damage from fire, electric shock, falling parts, cuts/abrasions and other hazards, please read all warnings and instructions included with and on the fixture box and all fixture labels.
- Before installing, servicing, or performing routine maintenance upon this equipment, please follow these general precautions.
- Commercial installation, service and maintenance of luminaires should be performed by a qualified licensed electrician.
- DO NOT INSTALL DAMAGED PRODUCT!
- This fixture is intended to be connected to a properly installed and grounded UL listed junction box.
- Make sure that the supply voltage is the same as the luminaire voltage.
- Do not operate in ambient temperatures above those indicated on the luminaire nameplate.
- All gasket seals must be clean and undamaged.



Picture is for illustration purposes only. Your model may vary

WARNING:

RISK OF ELECTRICAL SHOCK

- Turn off electrical power at fuse or circuit breaker box before wiring fixture to the power supply.
- Turn off the power when you perform any maintenance.
- Verify that supply voltage is correct by comparing it with the luminaire label information.
- Make all electrical and grounded connections in accordance with the National Electrical Code and any applicable local code requirements.
- All wiring connections should be capped with UL approved wire connectors.
- Luminaire must be supplied by a wiring system with an equipment grounding conductor.

CAUTION:

RISK OF INJURY

- Wear gloves and safety glasses at all times when removing luminaire from carton, installing, servicing or performing maintenance.
- Avoid direct eye exposure to the light source while it is on.
- Account for small parts and destroy packing material, as these may be hazardous to children.

CAUTION:

RISK OF FIRE

- Keep combustible and other materials that can burn away from luminaire and lamp/lens.
- MIN 90°C SUPPLY CONDUCTORS.

Models:

- HBH-2-3-4-5
- 2 – Wattage 150 - 150W
- 3 – Voltage 120-277 - 120-277V AC, 347-480 - 347-480V AC
- 4 – Color Temperature 4K - 4000K, 5K - 5000K, 57K - 5700K
- 5 – Beam Angle 60 - 60°, 110 - 110°

- Ambient Temperature Range: -40°C (-40°F) - +80 °C (176 °F)