

RED SKY
SERIOUSLY SAFE LIGHTS™

BLOCK SERIES H2

Technical Specification Sheet



ABOUT RED SKY LIGHTING

PIONEERING INDUSTRIAL ILLUMINATION FOR HARSH & HAZARDOUS CONDITIONS

- A leading manufacturer of premium LED lights for demanding work conditions
- Headquartered in California, products assembled in the USA
- Servicing global clients across 4 continents in metal processing, oil & gas, marine, manufacturing
- Renowned for quality, dependability, client care and uncompromising safety standards



WHY CHOOSE RED SKY

❧ SERIOUSLY SAFE LIGHTS

- Rigorously tested in our professional labs
- Surpassing industry certifications and safety protocols
- Crafted with highest grade components for maximum durability

❧ TOP-NOTCH SERVICES

- Team of experts for seamless support
- Energy audit services, lighting simulation services
- Hassle-free return policy and management

❧ FAST DELIVERY

- Majority of orders delivered within 14 days
- Same day shipping for products in stock
- Real-time order tracking for full transparency

❧ SUSTAINABLE SOLUTIONS

- High luminous efficacy LEDs for energy savings
- Conscious product design
- Recyclable materials for products and packaging



BLOCK SERIES



Designed to withstand hazardous environments, the Block Series excels with a luminous efficacy of 150 lumens per watt. It is certified for use in hazardous locations requiring explosion-proof fixtures where flammable gases, vapors and combustible dusts are present. Applications include oil and gas rigs, petrochemical plants, and other hazardous corrosive facilities.

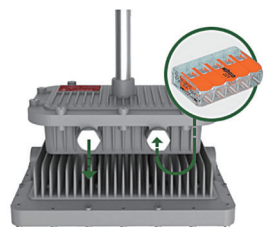
With 10kV built-in surge protection, the Block Series enhances safety and working conditions. Its dimmable driver helps reduce light pollution, enhance the working environment, and save on energy costs. Its self-contained LED and driver compartment, coupled with external cooling fins, ensures reliable heat dissipation even in extreme temperatures up to 140°F (60°C) while its robust design and quality enable operation under temperatures as low as -40°F (-40°C). The remarkable 148,000-hour LED fixture life at 140°F (60°C) guarantees long-term operation of the facility. A rugged copper-free aluminum body and frame provide superior corrosion resistance for long-lasting durability.

With three optic options ranging from spot to flood, the Block Series offers flexibility for a variety of applications. Red Sky Lighting backs the Block Series with an industry-leading 10-year warranty and factory replacement. Choose the Block Series for exceptional performance, advanced safety, and unmatched durability in hazardous industrial environments.



BLOCK SERIES
TEXAS, USA

FEATURES



Excellent Heat dissipation

Safe and reliable heat transfer - Offering a T-rating of T4A (CID2, CIID2) Self-contained LED and Driver compartment with external air-flow fins designed to perform in high ambient temperatures up to +140°F and as low as -40°F.

Rugged Construction

Built to withstand extreme temperatures, vibration, water and dust. Copper-free aluminum body and frame for corrosion-resistant.

3 Optic Options

25° / 60° / 120° available for different applications from spot to flood for optimal light distribution.



25°
NEMA 3 - Narrow



60°
NEMA 4 - Medium



120°
NEMA 6 - Wide

RATINGS

- | | |
|---------------------------------------|---|
| Class I Division 2, Groups A, B, C, D | UL 1598 Wet Locations |
| Class II Division 2, Groups F, G | UL 1598A Marine Outside Type (Salt Water) |
| Class III | IP66 |
| Class I, Zone 2, Group IIC | IK09 |
| Zone 22, Group IIIB | |
| Simultaneous Presence | |

CERTIFICATIONS

- UL844
- UL1598
- UL1598A
- CSA C22.2 NO. 250.0:21, 5th Ed
- CSA C22.2 No. 137, Edition: 2
- DLC (Pending)

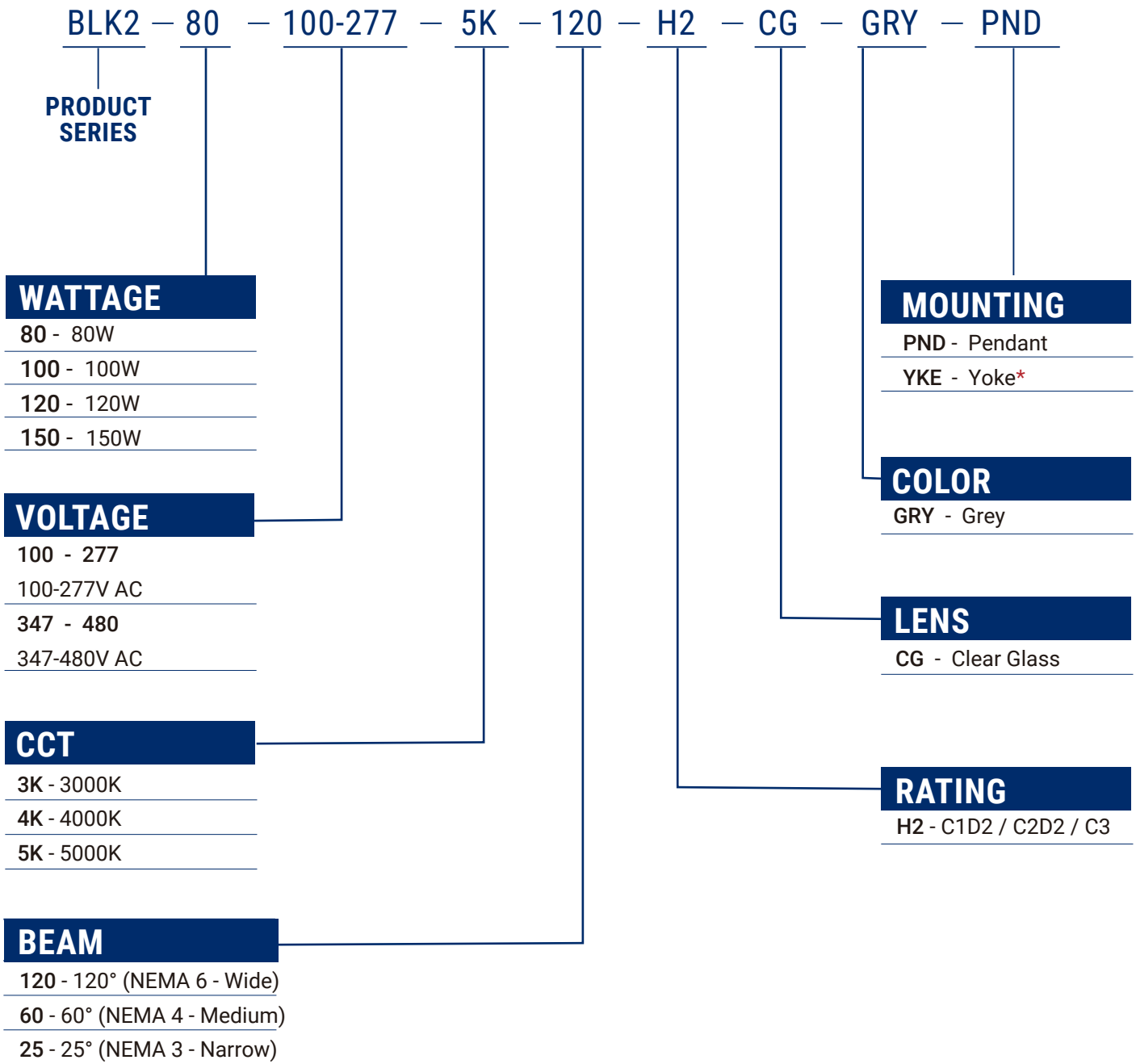
TECHNICAL PARAMETERS

Specification	BLK2-H2-80	BLK2-H2-100	BLK2-H2-120	BLK2-H2-150
Electrical Parameters				
Power	80W	100W	120W	150W
Voltage/Frequency	100-277V AC, 347-480V AC 50/60Hz			
Power Factor	≥90%			
THD	<20%			
L70	148,000 Hours@140°F			
Dimming	0-10V			
Surge Protection	10KV			
Warranty	LEDs: 10 years, Driver: 7 years			
Optical Parameters				
Lumen Output*	12,320Lm	14,162Lm	17,680Lm	21,227Lm
Lumen Efficacy*	150Lm/W			
Available Beam Angle	25° / 60° / 120°			
Correlated Color Temperature (CCT)	3000K/4000K/5000K			
Color Rendering Index (CRI)	Ra>70			
Mechanical Parameters				
Finish	Thermoset Powdercoat			
Hardware	Stainless steel 316			
Lens Material	Clear Glass			
Mounting Options	Pendant, Yoke, Stanchion			
Product Weight	33.5lbs/15.2kg		33.7lbs/15.3kg	
Cable Entry	(3) 3/4" NPT			
Product Dimensions(L×W×H)	12.9×10.7×8.4 in (328×271×214 mm)			
Environmental Parameters				
Ambient Operating Temperature	-40°F ~ +140°F (-40°C ~ +60°C)			
T-Code Rating	C1D2 – T4A, C2D2 – T4A			

* Value calculated based on 5000K and Clear Glass, varies to different spec.

ORDERING INFORMATION

EXAMPLE: BLK2-80-100-277-5K-120-H2-CG-GRY-PND

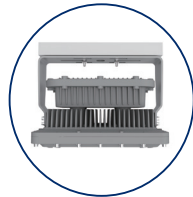


* BLK-YOKE Pre-installed as standard, Contact sales for other Yoke options.

MOUNTING ACCESSORIES



Pendant



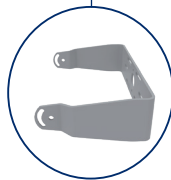
Yoke



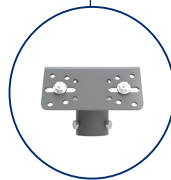
Stanchion



BLK-YOKE



BLK-360Y



STAN01

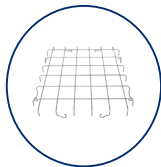
Mounting Method	PN	Description	MPN Code
Yoke	BLK-YOKE	Yoke Mount, BLK SERIES, SS304. Power Coated Grey RAL7037	309050055
	BLK-360Y	360° rotation Yoke Mount. BLK SERIES. SS304. Power Coated Grey RAL7037	201010115
Stanchion	STAN01*	Slip-Fit Stanchion Mount Kit. BLK SERIES. SS304. Power Coated Grey RAL7037	309050300

* Requires A Yoke Mount

OTHER ACCESSORIES



SFCB01



BLK-WG



BLK-VISO



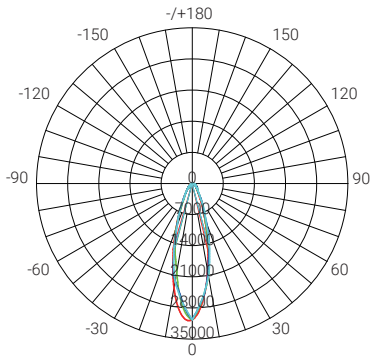
HOOK02

PN	Description	MPN Code
SFCB01	Safety Cable Kit, BLK & RDX SERIES, SS304	106060018
BLK-WG	Lens Wire guard. BLK SERIES, SS304	106060013
BLK-VISO	Visor, BLK SERIES, SS304, Power Coated Grey RAL7037	101040169
HOOK02	M10 Hook with 3/4" NPT(SUS316)	309050331
GLCO-03	Gland with 3ft cord	204020003
GLCO-10	Gland with 10ft cord	204020004

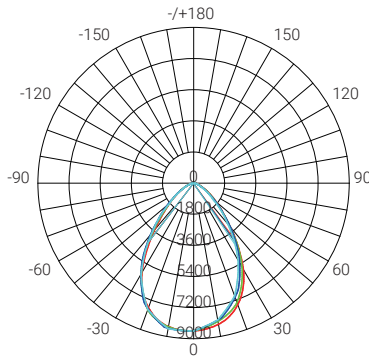
LUMEN TABLE

PN	Wattage (W)	CCT	Beam	Lens	Lumen Output (Lm)	Efficiency (Lm/W)
Voltage 100-277V AC						
BLK2-80-100-277-5K-120-H2-CG-GRY-YKE	80	5000K	120°	Clear Glass	12,320	151
BLK2-80-100-277-5K-60-H2-CG-GRY-YKE	80	5000K	60°	Clear Glass	11,180	136
BLK2-80-100-277-5K-25-H2-CG-GRY-YKE	80	5000K	25°	Clear Glass	11,472	139
BLK2-100-100-277-5K-120-H2-CG-GRY-YKE	100	5000K	120°	Clear Glass	14,162	148
BLK2-100-100-277-5K-60-H2-CG-GRY-YKE	100	5000K	60°	Clear Glass	12,799	132
BLK2-100-100-277-5K-25-H2-CG-GRY-YKE	100	5000K	25°	Clear Glass	13,275	136
BLK2-120-100-277-5K-120-H2-CG-GRY-YKE	120	5000K	120°	Clear Glass	17,680	146
BLK2-120-100-277-5K-60-H2-CG-GRY-YKE	120	5000K	60°	Clear Glass	16,497	132
BLK2-120-100-277-5K-25-H2-CG-GRY-YKE	120	5000K	25°	Clear Glass	16,949	135
BLK2-150-100-277-5K-120-H2-CG-GRY-YKE	150	5000K	120°	Clear Glass	21,227	147
BLK2-150-100-277-5K-60-H2-CG-GRY-YKE	150	5000K	60°	Clear Glass	18,695	128
BLK2-150-100-277-5K-25-H2-CG-GRY-YKE	150	5000K	25°	Clear Glass	19,393	132
Voltage 347-480V AC						
BLK2-80-347-480-5K-120-H2-CG-GRY-YKE	80	5000K	120°	Clear Glass	11,951	152
BLK2-80-347-480-5K-60-H2-CG-GRY-YKE	80	5000K	60°	Clear Glass	10,946	138
BLK2-80-347-480-5K-25-H2-CG-GRY-YKE	80	5000K	25°	Clear Glass	11,186	141
BLK2-100-347-480-5K-120-H2-CG-GRY-YKE	100	5000K	120°	Clear Glass	14,736	152
BLK2-100-347-480-5K-60-H2-CG-GRY-YKE	100	5000K	60°	Clear Glass	13,323	135
BLK2-100-347-480-5K-25-H2-CG-GRY-YKE	100	5000K	25°	Clear Glass	13,843	140
BLK2-120-347-480-5K-120-H2-CG-GRY-YKE	120	5000K	120°	Clear Glass	18,122	153
BLK2-120-347-480-5K-60-H2-CG-GRY-YKE	120	5000K	60°	Clear Glass	16,184	135
BLK2-120-347-480-5K-25-H2-CG-GRY-YKE	120	5000K	25°	Clear Glass	16,575	138
BLK2-150-347-480-5K-120-H2-CG-GRY-YKE	150	5000K	120°	Clear Glass	21,640	150
BLK2-150-347-480-5K-60-H2-CG-GRY-YKE	150	5000K	60°	Clear Glass	19,234	131
BLK2-150-347-480-5K-25-H2-CG-GRY-YKE	150	5000K	25°	Clear Glass	19,792	135

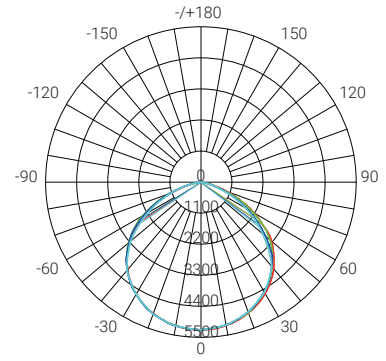
For additional information, please contact your sales representative.



**25°
NEMA 3 - Narrow**



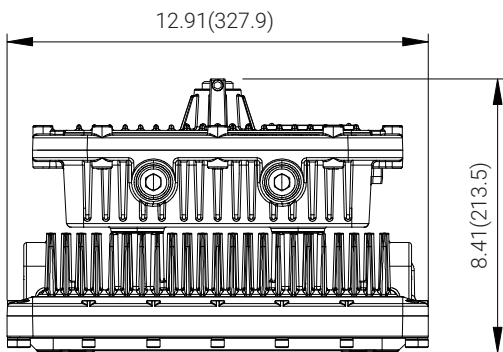
**60°
NEMA 4 - Medium**



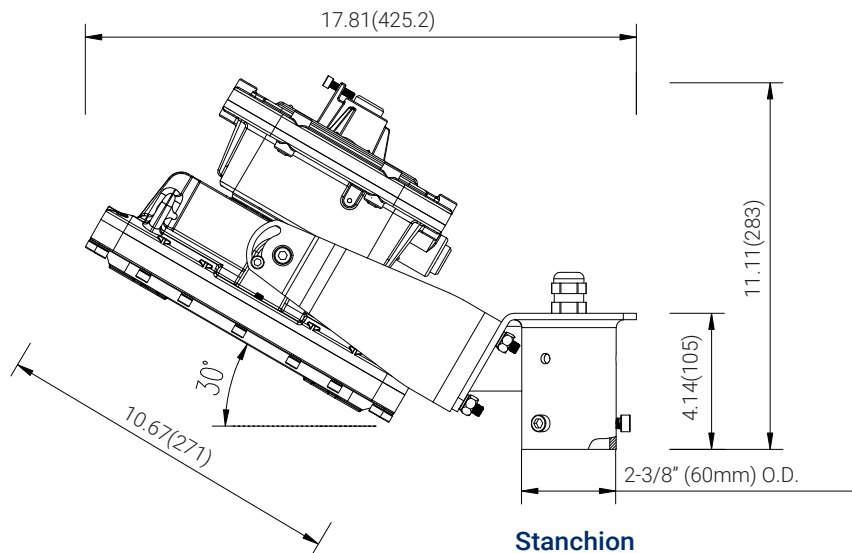
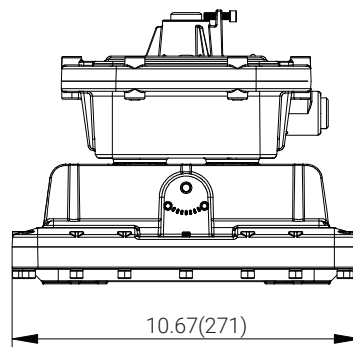
**120°
NEMA 6 - Wide**

DIMENSIONS

unit: in(mm)

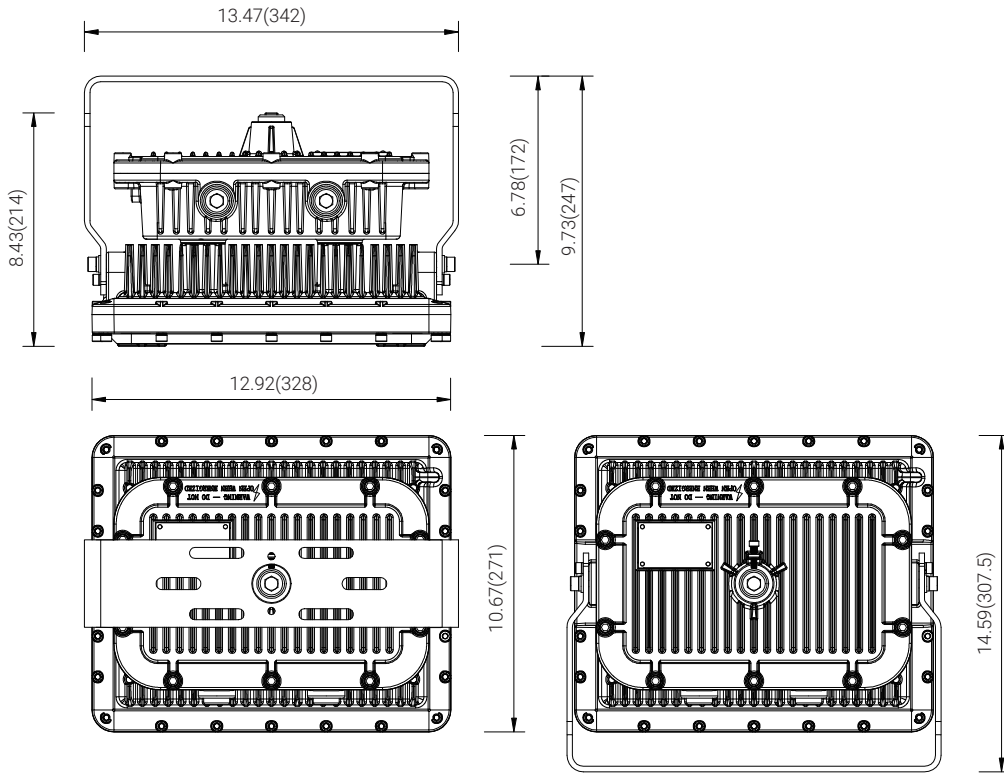


Pendant

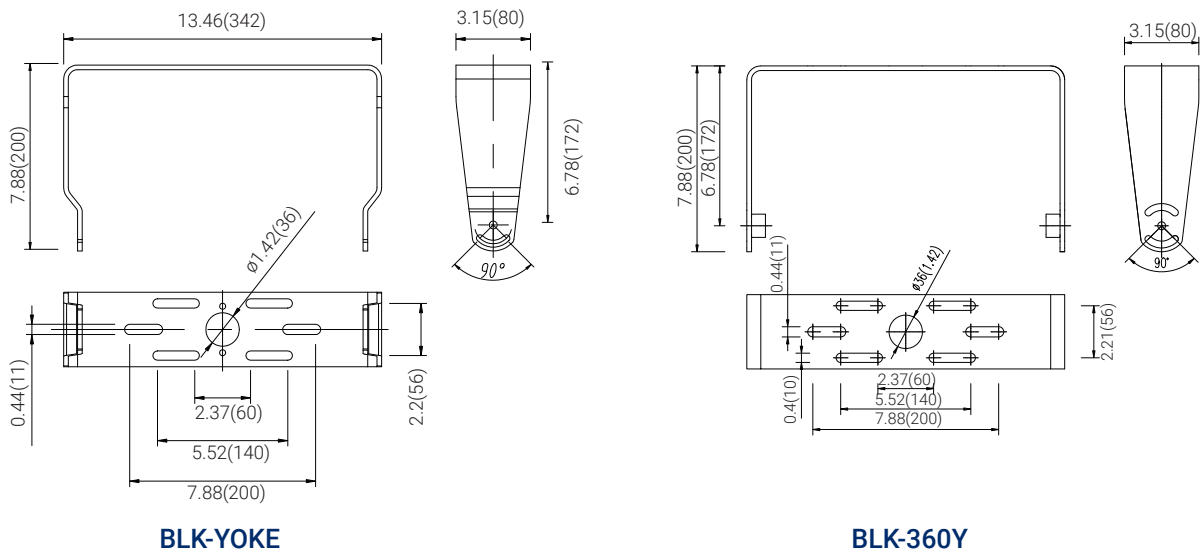


Stanchion

unit: in(mm)



Yoke



HAZARDOUS LOCATION LIGHTING BASICS

Atmosphere Groups

Temperature Classification

Substance	Hazard Class	Division Groups	Zone Groups	Max. Surface Temperatures	NEC® 500 CEC®	NEC® 500/IEC-Group II
Acetylene	Class I Flammable Gases	Group A	IIC	450(842)	T1	T1
Hydrogen		Group B	IIC	300(572)	T2	
Ethylene		Group C	IIB	280(536)	T2A	T2
Propane		Group D	IIA	260(500)	T2B	
Methane		Group D	IIA ²	230(446)	T2C	
Combustible Metal Dusts	Class II Combustible Dusts	Group E ¹	IIIC ³	215(419)	T2D	T3
Combustible Carbonaceous Dust		Group F	IIIB ³	200(392)	T3	
Combustible Dusts not in Group E or F (Flour, Grain, Wood, Plastics, Chemicals)		Group G	IIIB ³	180(256)	T3A	
Combustible Fibers and Flyings		Not Applicable	IIIA ³	165(329)	T3B	
				160(320)	T3C	
				135(275)	T4	T4
				120(248)	T4A	
				100(212)	T5	T5
				85(185)	T6	T6

Note 1: Group E is applicable to Class II, Division 1 only.
 Note 2: Methane is a Group IIA Gas for non-mining applications.
 Note 3: Group IIIA, IIIB and IIIC have not been adopted by the Canadian Electrical Code.

Classification of Divisions and Zones

Hazard Level	Division Scheme	Zone Scheme	Definitions
Continuous Hazard	Division 1	Zone 0 / Zone 20	A place in which an explosive atmosphere is continually present
Intermittent Hazard		Zone 1 / Zone 21	A place in which an explosive atmosphere is likely to occur in normal operation
Hazard Under Abnormal Conditions	Division 2	Zone 2 / Zone 22	A place in which an explosive atmosphere is not likely to occur in normal operation, but may occur for short periods

IP Codes

1st No.	Solid Objects
0	No protection
1	Objects greater than 50mm
2	Objects greater than 12.5mm
3	Objects greater than 2.5mm
4	Objects greater than 1mm
5	Dust protected
6	Dust proof
2nd No.	Liquids
0	No protection
1	Vertically dripping
2	Dripping up to 15°
3	Limited spraying
4	Splashing from all directions
5	Hosing jets from all directions
6	Strong hosing jets from all directions
7	Temporary immersion
8	Continuous immersion
9	Steam-jet cleaning

IK Ratings

IK Code	Level of Protection Achieved
IK00	Not protected
IK01	Protected against 0.14 joules impact
IK02	Protected against 0.2 joules impact
IK03	Protected against 0.35 joules impact
IK04	Protected against 0.5 joules impact
IK05	Protected against 0.7 joules impact
IK06	Protected against 1 joules impact
IK07	Protected against 2 joules impact
IK08	Protected against 5 joules impact
IK09	Protected against 10 joules impact
IK10	Protected against 20 joules impact

RED SKY LIGHTING LLC
9370 Pittsburgh Ave
Rancho Cucamonga, CA 91730, USA

1(262) 456-5002
contact@redskylighting.com
www.redskylighting.com

RED SKY
SERIOUSLY SAFE LIGHTS™