

RED SKY
SERIOUSLY SAFE LIGHTS™

LINEAR HARSH SERIES

Technical Specification Sheet



PIONEERING INDUSTRIAL ILLUMINATION FOR HARSH & HAZARDOUS CONDITIONS

A leading manufacturer of premium LED lights for demanding work conditions

Headquartered in California, products assembled in the USA

Servicing global clients across 4 continents in metal processing, oil & gas, marine, manufacturing

Renowned for quality, dependability, client care and uncompromising safety standards



WHY CHOOSE RED SKY

❧ SERIOUSLY SAFE LIGHTS

- Rigorously tested in our professional labs
- Surpassing industry certifications and safety protocols
- Crafted with highest grade components for maximum durability

❧ TOP-NOTCH SERVICES

- Team of experts for seamless support
- Energy audit services, lighting simulation services
- Hassle-free return policy and management

❧ FAST DELIVERY

- Majority of orders delivered within 14 days
- Same day shipping for products in stock
- Real-time order tracking for full transparency

❧ SUSTAINABLE SOLUTIONS

- High luminous efficacy LEDs for energy savings
- Conscious product design
- Recyclable materials for products and packaging



FEATURES



Long Fixture Life

L70 >150,000 Hours@55°C
Maintenance-free and safe operation

Rugged Construction

Heat sink designed to perform in high ambient temperatures up to +55°C and as low as -40°C.

Built to withstand extreme temperatures, vibration, water and dust.

Copper-free aluminum body and frame for corrosion resistant

Thermal Management

Safe and reliable heat transfer - Offering a T-rating of T6 (CID1)

RATINGS

IP66
IK08

CERTIFICATIONS

CE EMC/LVD
UKCA
ROHS

TECHNICAL PARAMETERS

Specification	LNH-25	LNH-50	LNH-75	LNH-100
Electrical Parameters				
Power	25W	50W	75W	100W
Voltage/Frequency	100-240V AC, 50/60Hz			
Power Factor	>90%			
THD	<20%			
L70	150,000 Hours@55°C			
Dimming	0-10V			
Surge Protection	6KV Line-to ground			
Warranty	Standard Warranty: 5 Year, Battery: 1 Year			
Optical Parameters				
Lumen Output*	3,750Lm	7,500Lm	11,250Lm	15,000Lm
Lumen Efficacy*	150Lm/W			
Available Beam Angle	110°			
Correlated Color Temperature (CCT)	4000K/5700K/Red/Green/Blue/Amber			
Color Rendering Index (CRI)	Ra>70			
Mechanical Parameters				
Finish	Polyster powder coating for uniform corrosion resistance			
Hardware	Stainless steel 316			
Lens Material	Polycarbonate			
Mounting Options	Low Ceiling, High Ceiling, Wall, Eyebolt, Pole			
Product Weight	13.9lbs/6.3kg		21lbs/9.5kg	
Cable Entry	M20/M25			
Product Dimensions(L×W×H)	29.4×6.2×4.4in (747×158×111 mm)		52.4×6.2×4.4in (1332×158×111 mm)	
Environmental Parameters				
Ambient Operating Temperature	-40°C~+55°C 0°C~+50°C(Emergency)			
Ambient Operating Humidity	5%-95% RH			
Optimal Operating Temperature	25°C			

* Value calculated based on 5700K and clear PC, varies to different spec.

ORDERING INFORMATION

EXAMPLE: LNH-50-100-240-57K-CP-EM12-M20

LNH — 50 — 100-240 — 57K — CP — EM12 — M20

FIXTURE

WATTAGE

25 - 25W

50 - 50W

75 - 75W

100 - 100W

VOLTAGE

100 - 240

100-240V AC

CCT

57K - 5700K

4K - 4000K

RD - Red

GN - Green

BU - Blue

AM - Amber

CABLE ENTRIES

M20 - 4 X M20 X 1.5

M25 - 4 X M25 X 1.5

BATTERY

BLANK - Standard
(Non Emergency)

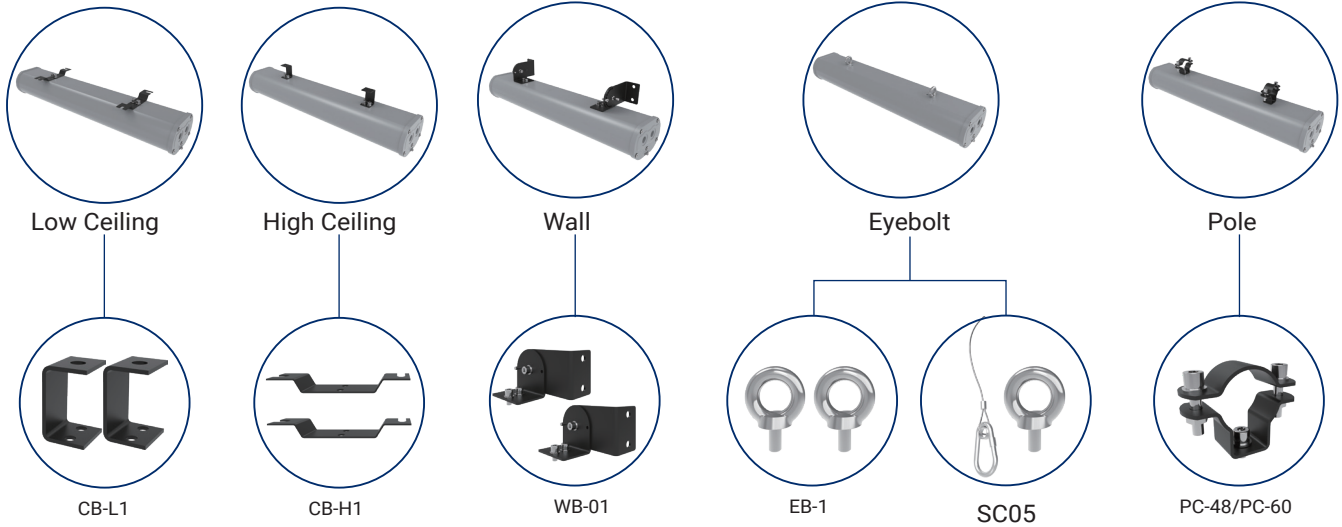
EM12 - 12W 90mins
(Emergency Standard)

LENS

CP - Clear PC

DP - Diffuse PC

MOUNTING ACCESSORIES



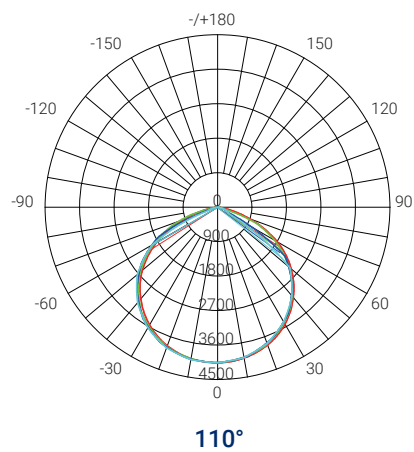
Mounting Method	PN	Description	MPN Code
Low Ceiling	CB-L1	Low Ceiling Mount Bracket 1 pair	309050220
High Ceiling	CB-H1	High Ceiling Mount Bracket 1 pair	309050222
Wall	WB-01	Wall Mount Swivel Bracket 1 pair	309050224
Eyebolt	EB-1	Eyebolt 1 pair	309050226
	SC05	3ft. safety Cable kit	309050228
Pole	PC-48	Dia 40-51mm range SS316 pole clamp 1 pair	309050230
	PC-60	Dia 54-62mm range SS316 pole clamp 1 pair	309050232

LUMEN TABLE

Part Number	Wattage (W)	CCT	Lens	Lumen Output (Lm)	Efficiency (Lm/W)
Voltage 100-240V AC					
LNH-25-100-240-57K-X1-CP-1A	25	5700K	Clear PC	4,089	164
LNH-25-100-240-57K-X1-DP-1A	25	5700K	Diffuse PC	3,367	132
LNH-50-100-240-57K-X1-CP-1A	50	5700K	Clear PC	7,453	152
LNH-50-100-240-57K-X1-DP-1A	50	5700K	Diffuse PC	6,314	130
LNH-75-100-240-57K-X1-CP-1A	75	5700K	Clear PC	11,313	151
LNH-75-100-240-57K-X1-DP-1A	75	5700K	Diffuse PC	9,750	130
LNH-100-100-240-57K-X1-CP-1A	100	5700K	Clear PC	10,294	155
LNH-100-100-240-57K-X1-DP-1A	100	5700K	Diffuse PC	12,753	131

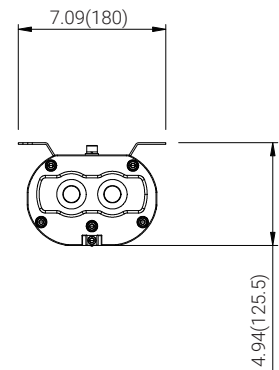
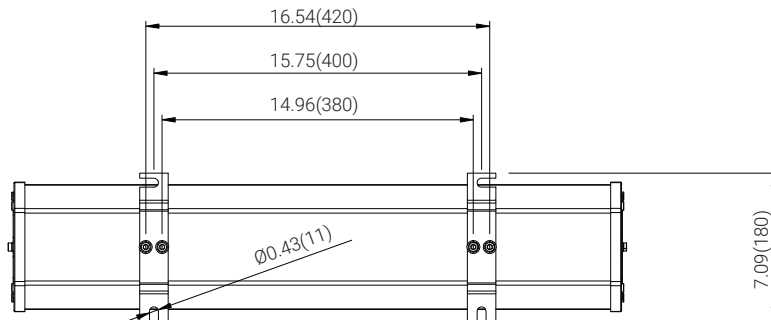
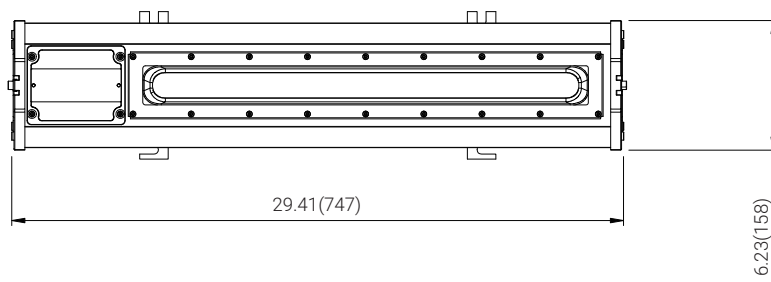
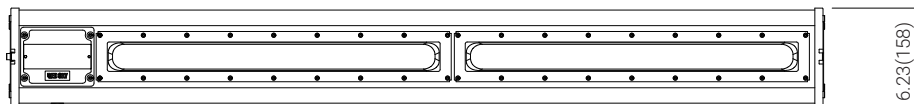
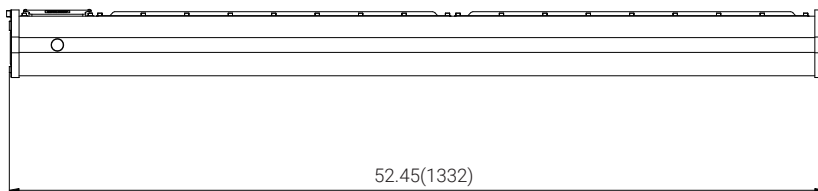
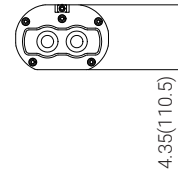
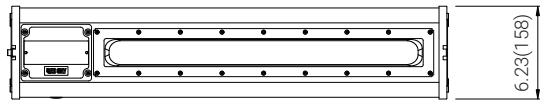
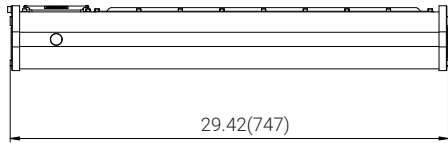
For additional information, please contact your sales representative.

PHOTOMETRIC



DIMENSIONS

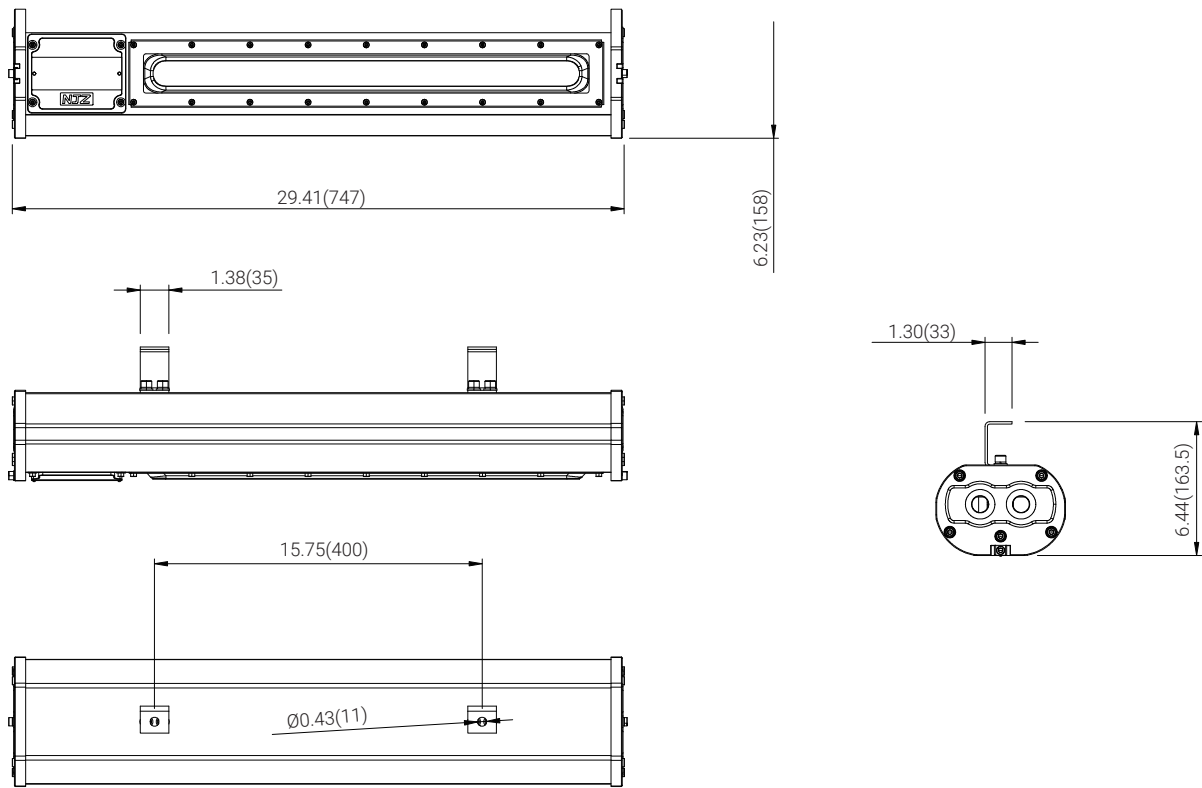
unit: in(mm)



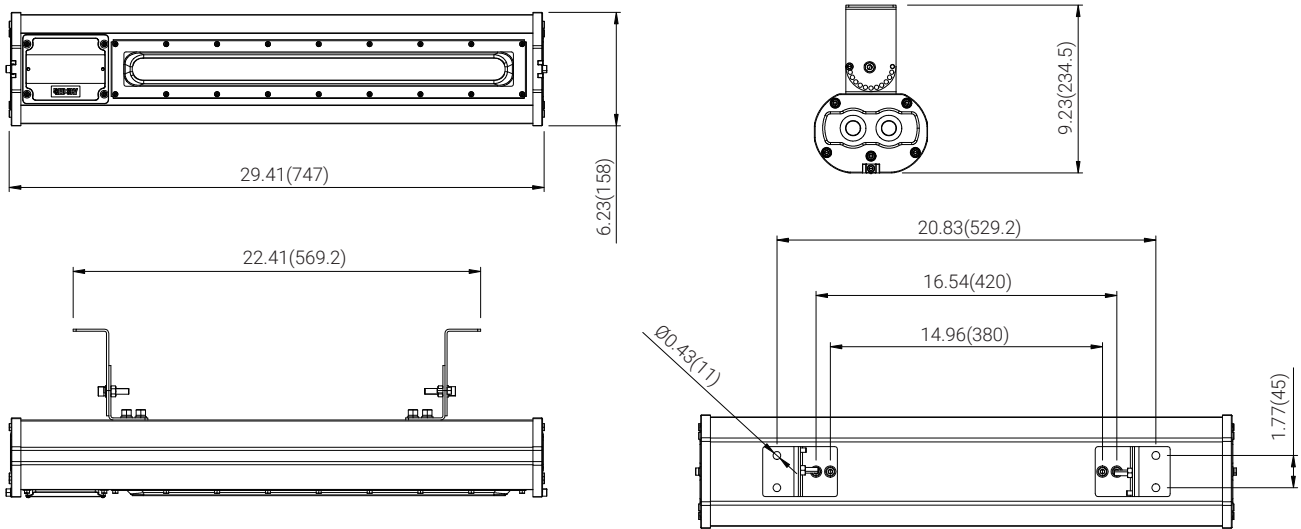
Low Ceiling

DIMENSIONS

unit: in(mm)



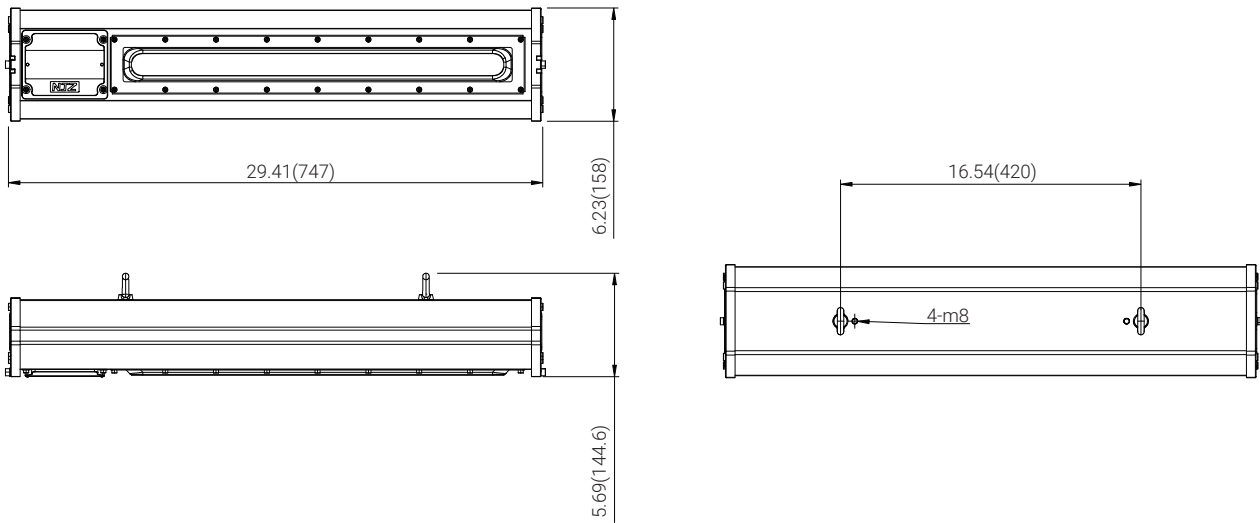
High Ceiling



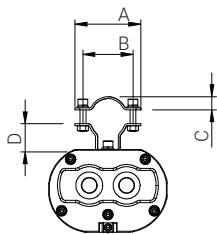
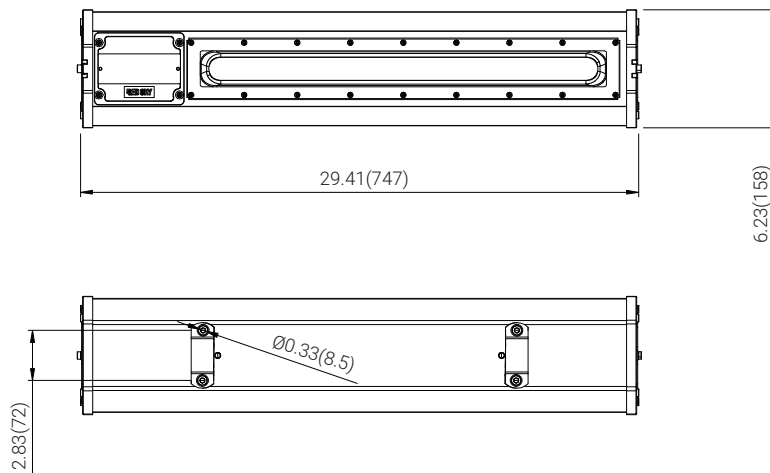
Wall

DIMENSIONS

unit: in(mm)



Eyebolt



	A	B	C	D
Dia 47-51mm range	3.62(92)	2.83(72)	0.57(14.5)	1.63(41.5)
Dia 58-62mm range	4.13(105)	3.31(84)	0.96(24.5)	1.8(45.5)

Pole

HAZARDOUS LOCATION LIGHTING BASICS

Atmosphere Groups

Temperature Classification

Substance	Hazard Class	Division Groups	Zone Groups	Max. Surface Temperatures	NEC®500 CEC®	NEC®500/IEC-Group II
Acetylene	Class I Flammable Gases	Group A	IIC	450(842)	T1	T1
Hydrogen		Group B	IIC	300(572)	T2	
Ethylene		Group C	IIB	280(536)	T2A	T2
Propane		Group D	IIA	260(500)	T2B	
Methane		Group D	IIA ²	230(446)	T2C	
Combustible Metal Dusts	Class II Combustible Dusts	Group E ¹	IIIC ³	215(419)	T2D	T3
Combustible Carbonaceous Dust		Group F	IIIB ³	200(392)	T3	
Combustible Dusts not in Group E or F (Flour, Grain, Wood, Plastics, Chemicals)		Group G	IIIB ³	180(256)	T3A	
Combustible Fibers and Flyings		Class III Fibers and Flyings	Not Applicable	IIIA ³	165(329)	T3B
				160(320)	T3C	
				135(275)	T4	T5
				120(248)	T4A	
				100(212)	T5	T6
				85(185)	T6	

Note 1: Group E is applicable to Class II, Division 1 only.
 Note 2: Methane is a Group IIA Gas for non-mining applications.
 Note 3: Group IIIA, IIIB and IIIC have not been adopted by the Canadian Electrical Code.

Classification of Divisions and Zones

Hazard Level	Division Scheme	Zone Scheme	Definitions
Continuous Hazard	Division 1	Zone 0 / Zone 20	A place in which an explosive atmosphere is continually present
Intermittent Hazard		Zone 1 / Zone 21	A place in which an explosive atmosphere is likely to occur in normal operation
Hazard Under Abnormal Conditions	Division 2	Zone 2 / Zone 22	A place in which an explosive atmosphere is not likely to occur in normal operation, but may occur for short periods

IP Codes

1st No.	Solid Objects
0	No protection
1	Objects greater than 50mm
2	Objects greater than 12.5mm
3	Objects greater than 2.5mm
4	Objects greater than 1mm
5	Dust protected
6	Dust proof
2nd No.	Liquids
0	No protection
1	Vertically dripping
2	Dripping up to 15°
3	Limited spraying
4	Splashing from all directions
5	Hosing jets from all directions
6	Strong hosing jets from all directions
7	Temporary immersion
8	Continuous immersion
9	Steam-jet cleaning

IK Ratings

IK Code	Level of Protection Achieved
IK00	Not protected
IK01	Protected against 0.14 joules impact
IK02	Protected against 0.2 joules impact
IK03	Protected against 0.35 joules impact
IK04	Protected against 0.5 joules impact
IK05	Protected against 0.7 joules impact
IK06	Protected against 1 joules impact
IK07	Protected against 2 joules impact
IK08	Protected against 5 joules impact
IK09	Protected against 10 joules impact
IK10	Protected against 20 joules impact

RED SKY LIGHTING LLC
9370 Pittsburgh Ave
Rancho Cucamonga, CA 91730, USA

1(262) 456-5002
contact@redskylighting.com
www.redskylighting.com

RED SKY
SERIOUSLY SAFE LIGHTS™