

LINEAR LOW PROFILE SERIES

Technical Specification Sheet



PIONEERING INDUSTRIAL ILLUMINATION FOR HARSH & HAZARDOUS CONDITIONS

A leading manufacturer of premium LED lights for demanding work conditions

Headquartered in California, products assembled in the USA

Servicing global clients across 4 continents in metal processing, oil & gas, marine, manufacturing

Renowned for quality, dependability, client care and uncompromising safety standards



WHY CHOOSE RED SKY

❧ SERIOUSLY SAFE LIGHTS

- Rigorously tested in our professional labs
- Surpassing industry certifications and safety protocols
- Crafted with highest grade components for maximum durability

❧ TOP-NOTCH SERVICES

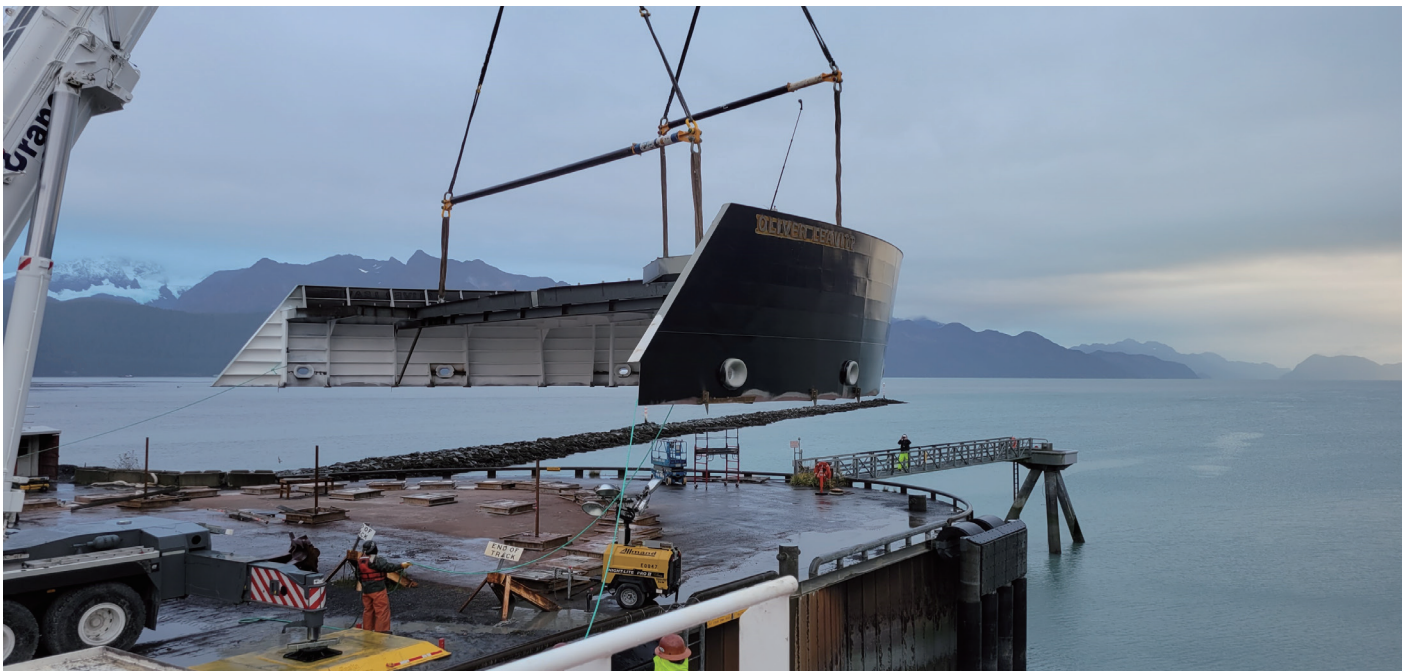
- Team of experts for seamless support
- Energy audit services, lighting simulation services
- Hassle-free return policy and management

❧ FAST DELIVERY

- Majority of orders delivered within 14 days
- Same day shipping for products in stock
- Real-time order tracking for full transparency

❧ SUSTAINABLE SOLUTIONS

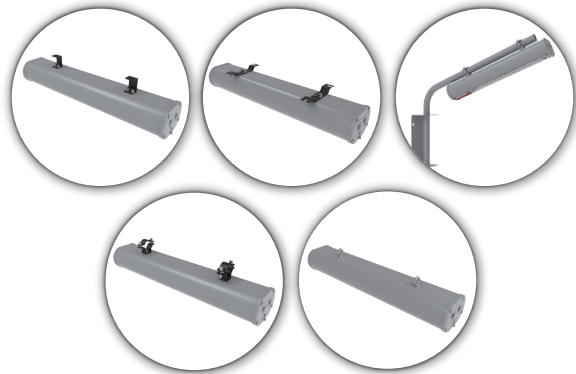
- High luminous efficacy LEDs for energy savings
- Conscious product design
- Recyclable materials for products and packaging



FEATURES



Multi-mounting Options



Safe and reliable performance

Offering a T-code of T6(Gas) and T80°C(Dust), much cooler than conventional fixtures, with operating ambient temperature up to 55°C, LED Life L70>150,000hrs of maintenance-free operation.

Easy and Through Wiring

Built-in WAGO RAIL-MOUNT TERMINAL BLOCKS TOPJOB® S with 6mm² max conductor for easy wiring
 Captive screw applied for secure fastening and quick re-installation of wiring compartment
 2 cable entries on each end for in-out connection

RATINGS

Zone 1,21
 IP66
 IK10

CERTIFICATIONS

ATEX
 II 2G Ex db eb mb IIIC T6/T5 GbII
 2D Ex tb IIIC T80°C Db
 IECEX
 Ex db eb mb IIC T6/T5 Gb
 Ex tb IIIC T80°C Db
 CE
 ROHS

TECHNICAL PARAMETERS

Specification	LLP-20	LLP-40	LLP-50	LLP-60	LLP-80	LLP-100
Electrical Parameters						
Power	20W	40W	50W	60W	80W	100W
Voltage/Frequency (50/60Hz)	120-277V AC 50/60Hz					
Power Factor	>90%					
THD	<20%					
L70	150,000 Hours@55°C					
Dimming	0-10V					
Surge Protection	6KV Line-to ground					
Warranty	Fixture: 5 Year, Battery: 1 Year					
Optical Parameters						
Lumen Output*	2,208Lm	4,164Lm	5,500Lm	6,448Lm	7,943Lm	9,399Lm
Lumen Efficacy*	120Lm/W					
Available Beam Angle	110°					
Correlated Color Temperature (CCT)	4000K/5700K/Red/Green/Blue/Amber					
Color Rendering Index (CRI)	Ra>70					
Mechanical Parameters						
Finish	Polyster powder coating for uniform corrosion resistance					
Hardware	Stainless steel 316					
Lens Material	Polycarbonate					
Mounting Options	Low Ceiling, High Ceiling, Wall, Eyebolt, Pole					
Product Weight	A: 6.3Kg/13.89 Lb B: 6.7Kg/14.77 Lb		C: 9.5Kg/20.94 Lb D: 9.9Kg/21.83 Lb			
Cable Entry	M20/M25					
Product Dimensions(L×W×H)	A: 29.4x6.2x4.4in (747×158×111 mm) B: 34x6.2x4.4in (864×158×111 mm)		C: 52.4x6.2x4.4in (1332×158×111 mm) D: 57.0x6.2x4.4in (1449×158×111 mm)			
Environmental Parameters						
Ambient Operating Temperature	-40°C~+55°C -20°C~+50°C(Emergency)					
T-Code Rating	T6(Gas Environment) T80°C(Dust Environment)			T5(Gas Environment) T80°C(Dust Environment)		

* Value calculated based on 5700K and Clear PC ,varies to different spec.

ORDERING INFORMATION

EXAMPLE: LLP-60-120-277-57K-X1-CP-1A-EM12-M25

LLP — 60 — 120-277 — 57K — X1 — CP — 1A — EM12 — PND

FIXTURE

WATTAGE

20 - 20W

40 - 40W

50 - 50W

60 - 60W

80 - 80W

100 - 100W

FIXTURE

120 - 277

120-277V AC

CCT

57K - 5700K

4K - 4000K

RD - Red

GN - Green

BU - Blue

AM - Amber

CABLE ENTRIES

M20 - 4 X M20 X 1.5

M25 - 4 X M25 X 1.5

BATTERY

BLANK - Standard
(Non Emergency)

EM6 - 6W 180mins

EM12 - 12W 90mins
(Emergency Standard)

WIRING

1A - Single Access

2A - Dual Access

LENS

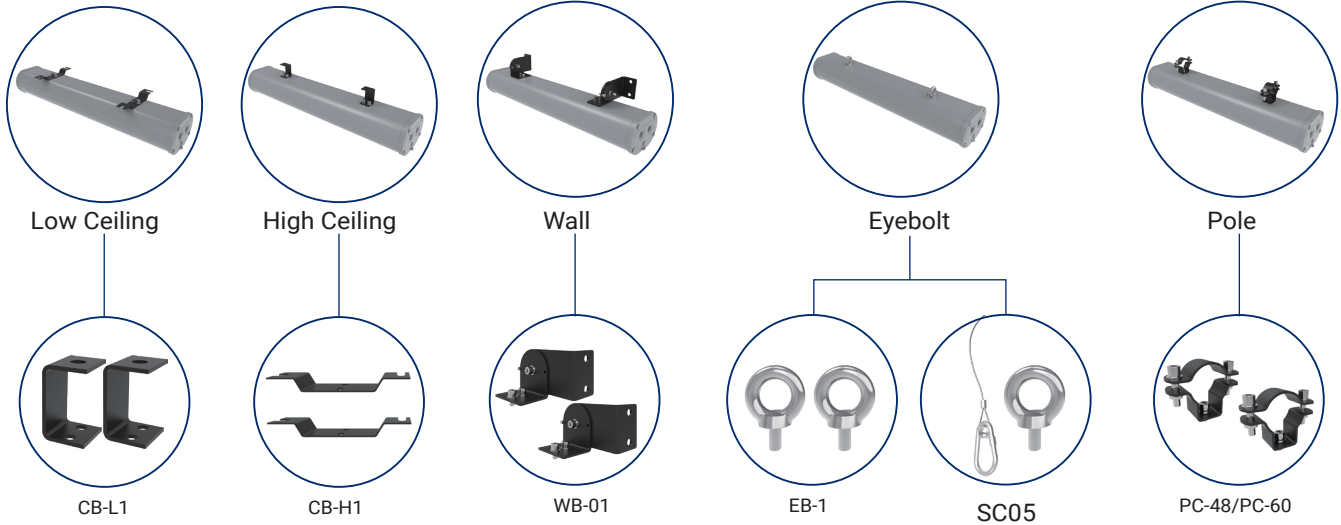
CP - Clear PC

DP - Diffuse PC

RATING

X1 - Zone1, 21

MOUNTING ACCESSORIES



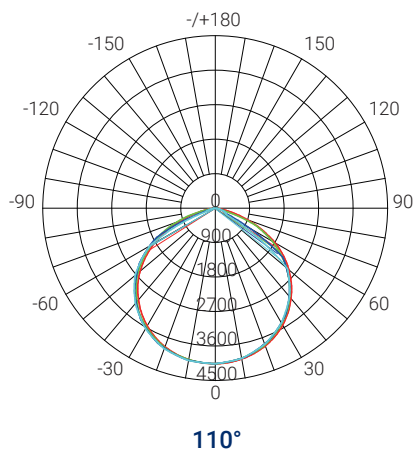
Mounting Method	PN	Description	MPN Code
Low Ceiling	CB-L1	Low Ceiling Mount Bracket 1 pair	309050220
High Ceiling	CB-H1	High Ceiling Mount Bracket 1 pair	309050222
Wall	WB-01	Wall Mount Swivel Bracket 1 pair	309050224
Eyebolt	EB-1	Eyebolt 1 pair	309050226
	SC05	3ft. safety Cable kit	309050228
Pole	PC-48	Dia 40-51mm range SS316 pole clamp 1 pair	309050230
	PC-60	Dia 54-62mm range SS316 pole clamp 1 pair	309050232

LUMEN TABLE

Part Number	Wattage (W)	CCT	Lens	Lumen Output (Lm)	Efficiency (Lm/W)
Voltage 120-277V AC					
LLP-20-120-277-57K-X1-CP-1A	20	5700K	Clear PC	2,208	105
LLP-20-120-277-57K-X1-DP-1A	20	5700K	Diffuse PC	1,805	89
LLP-40-120-277-57K-X1-CP-1A	40	5700K	Clear PC	4,164	104
LLP-40-120-277-57K-X1-DP-1A	40	5700K	Diffuse PC	3,426	86
LLP-50-120-277-57K-X1-CP-1A	50	5700K	Clear PC	6,067	120
LLP-50-120-277-57K-X1-DP-1A	50	5700K	Diffuse PC	4,792	99
LLP-60-120-277-57K-X1-CP-1A	60	5700K	Clear PC	6,448	112
LLP-60-120-277-57K-X1-DP-1A	60	5700K	Diffuse PC	5,513	91
LLP-80-120-277-57K-X1-CP-1A	80	5700K	Clear PC	7,943	99
LLP-80-120-277-57K-X1-DP-1A	80	5700K	Diffuse PC	7,254	93
LLP-100-120-277-57K-X1-CP-1A	100	5700K	Clear PC	9,399	96
LLP-100-120-277-57K-X1-DP-1A	100	5700K	Diffuse PC	9,043	91

For additional information, please contact your sales representative.

PHOTOMETRIC

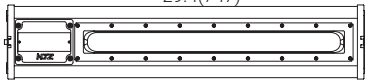


DIMENSIONS

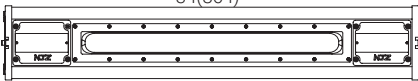
unit: in(mm)



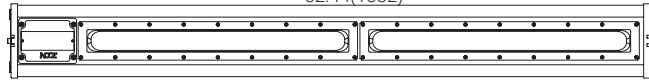
29.4(747)



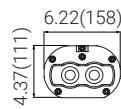
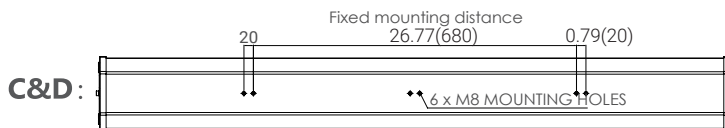
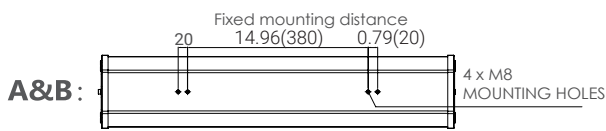
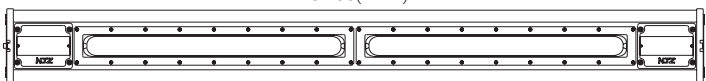
34(864)



52.44(1332)



57.05(1449)

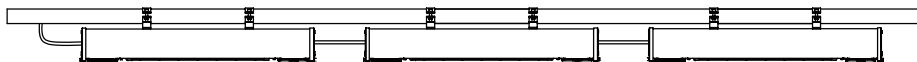


A:	Single Lens / Single Access	LLP-20/40
B:	Single Lens / Dual Access	LLP-20/40
C:	Dual Lens / Single Access	LLP-50/60/80/100
D:	Dual Lens / Dual Access	LLP-50/60/80/100

THROUGH WIRING

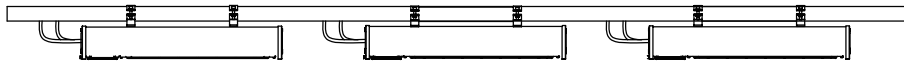
In-out connection can be made on one or both sides for quick installation

On both ends of the connection



Dual Access

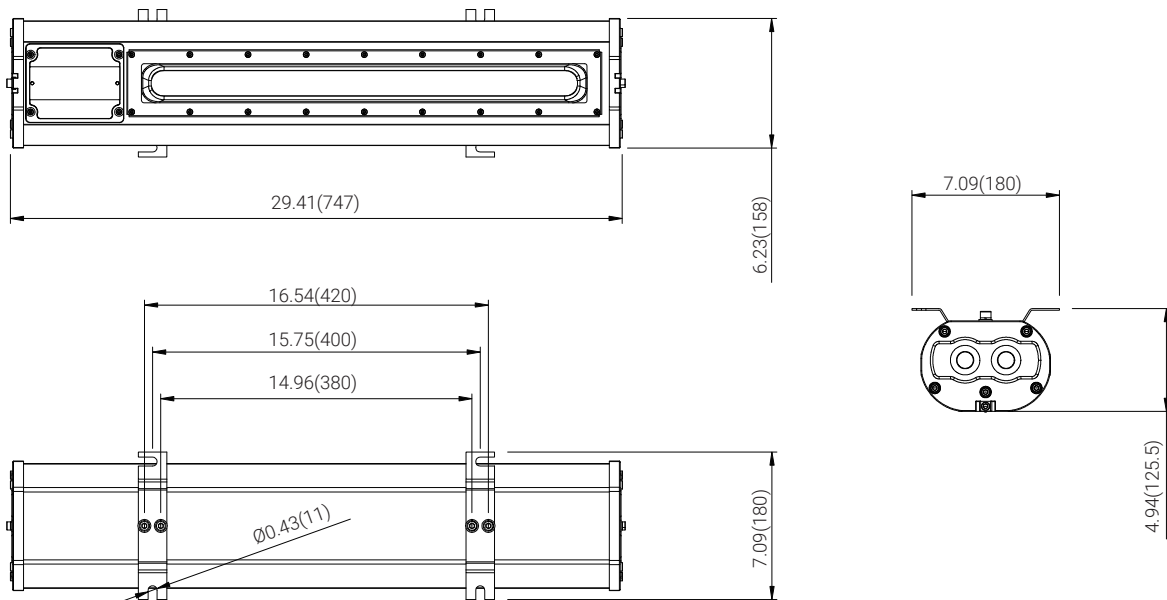
On end of the wire



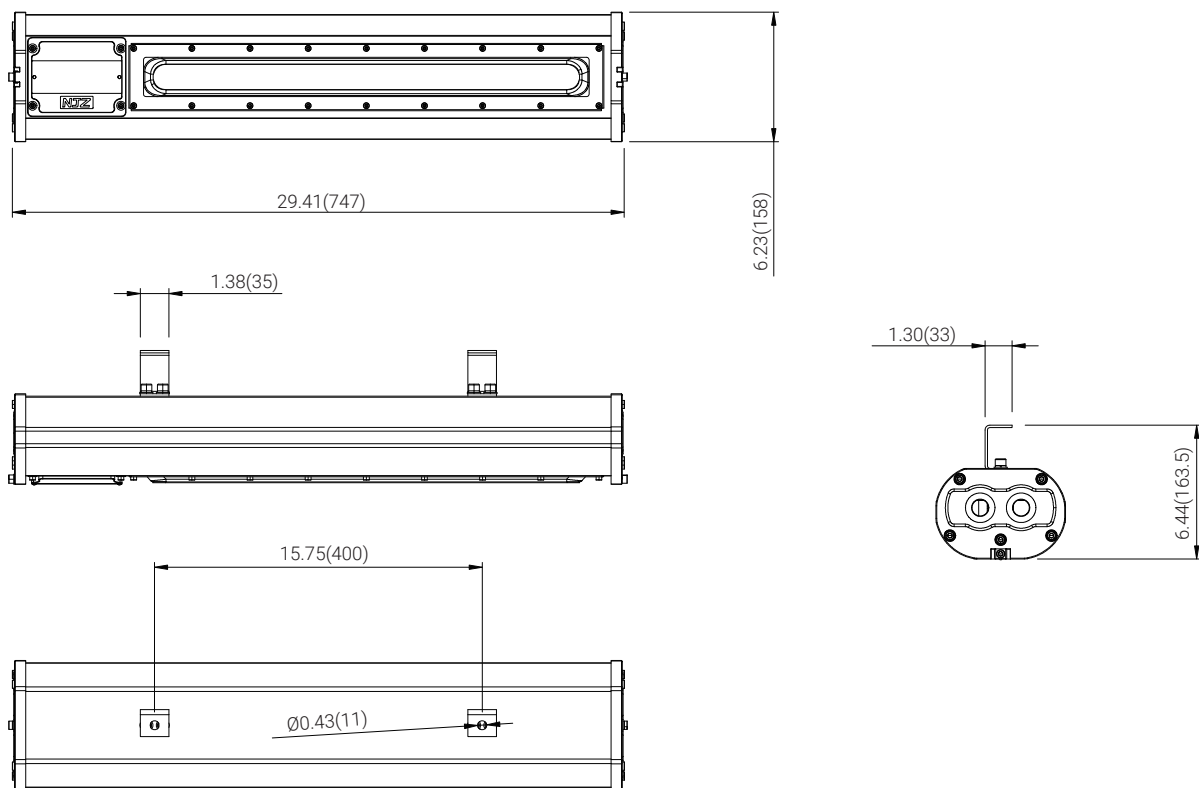
Single Access

DIMENSIONS

unit: in(mm)



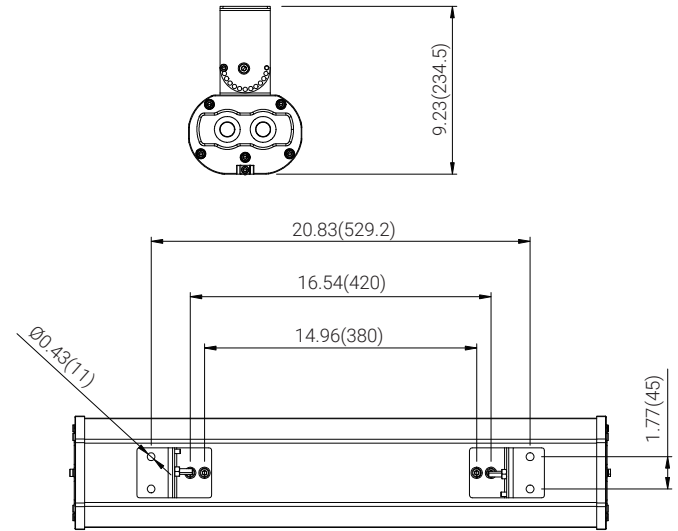
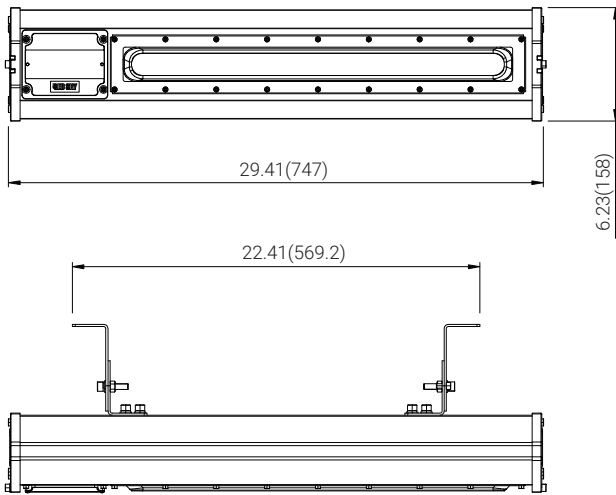
Low Ceiling



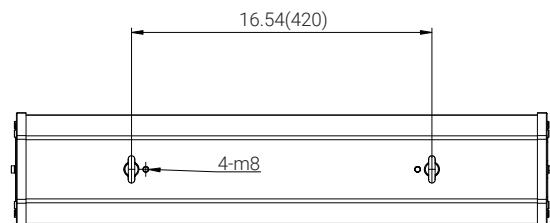
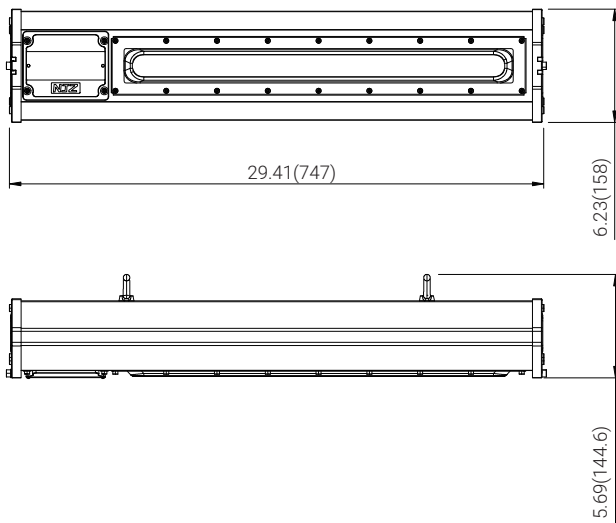
High Ceiling

DIMENSIONS

unit: in(mm)



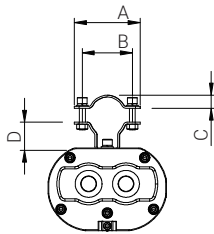
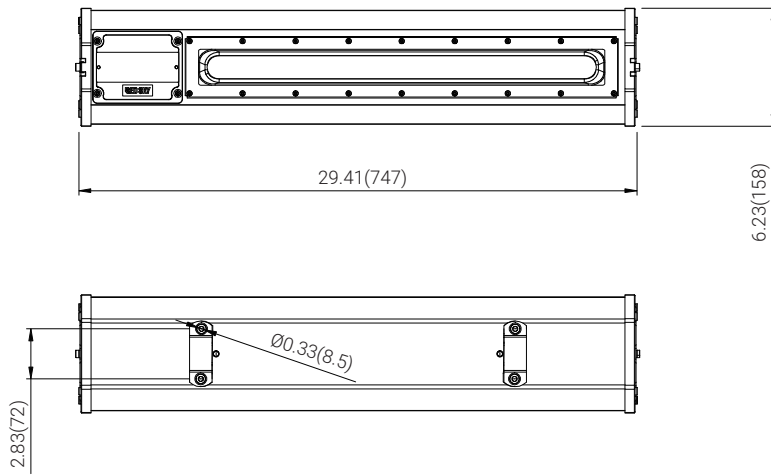
Wall



Eyebolt

DIMENSIONS

unit: in(mm)



	A	B	C	D
Dia 47-51mm range	3.62(92)	2.83(72)	0.57(14.5)	1.63(41.5)
Dia 58-62mm range	4.13(105)	3.31(84)	0.96(24.5)	1.8(45.5)

Pole

HAZARDOUS LOCATION LIGHTING BASICS

Atmosphere Groups

Temperature Classification

Substance	Hazard Class	Division Groups	Zone Groups	Max. Surface Temperatures	NEC®500 CEC®	NEC®500/IEC-Group II
Acetylene	Class I Flammable Gases	Group A	IIC	450(842)	T1	T1
Hydrogen		Group B	IIC	300(572)	T2	
Ethylene		Group C	IIB	280(536)	T2A	T2
Propane		Group D	IIA	260(500)	T2B	
Methane		Group D	IIA ²	230(446)	T2C	
Combustible Metal Dusts	Class II Combustible Dusts	Group E ¹	IIIC ³	215(419)	T2D	T3
Combustible Carbonaceous Dust		Group F	IIIB ³	200(392)	T3	
Combustible Dusts not in Group E or F (Flour, Grain, Wood, Plastics, Chemicals)		Group G	IIIB ³	180(256)	T3A	
Combustible Fibers and Flyings		Class III Fibers and Flyings	Not Applicable	IIIA ³	165(329)	
				160(320)	T3C	
				135(275)	T4	T4
				120(248)	T4A	
				100(212)	T5	T5
				85(185)	T6	T6

Note 1: Group E is applicable to Class II, Division 1 only.
 Note 2: Methane is a Group IIA Gas for non-mining applications.
 Note 3: Group IIIA, IIIB and IIIC have not been adopted by the Canadian Electrical Code.

Classification of Divisions and Zones

Hazard Level	Division Scheme	Zone Scheme	Definitions
Continuous Hazard	Division 1	Zone 0 / Zone 20	A place in which an explosive atmosphere is continually present
Intermittent Hazard		Zone 1 / Zone 21	A place in which an explosive atmosphere is likely to occur in normal operation
Hazard Under Abnormal Conditions	Division 2	Zone 2 / Zone 22	A place in which an explosive atmosphere is not likely to occur in normal operation, but may occur for short periods

IP Codes

1st No.	Solid Objects
0	No protection
1	Objects greater than 50mm
2	Objects greater than 12.5mm
3	Objects greater than 2.5mm
4	Objects greater than 1mm
5	Dust protected
6	Dust proof
2nd No.	Liquids
0	No protection
1	Vertically dripping
2	Dripping up to 15°
3	Limited spraying
4	Splashing from all directions
5	Hosing jets from all directions
6	Strong hosing jets from all directions
7	Temporary immersion
8	Continuous immersion
9	Steam-jet cleaning

IK Ratings

IK Code	Level of Protection Achieved
IK00	Not protected
IK01	Protected against 0.14 joules impact
IK02	Protected against 0.2 joules impact
IK03	Protected against 0.35 joules impact
IK04	Protected against 0.5 joules impact
IK05	Protected against 0.7 joules impact
IK06	Protected against 1 joules impact
IK07	Protected against 2 joules impact
IK08	Protected against 5 joules impact
IK09	Protected against 10 joules impact
IK10	Protected against 20 joules impact

RED SKY LIGHTING LLC
9370 Pittsburgh Ave
Rancho Cucamonga, CA 91730, USA

1(262) 456-5002
contact@redskylighting.com
www.redskylighting.com

RED SKY
SERIOUSLY SAFE LIGHTS™