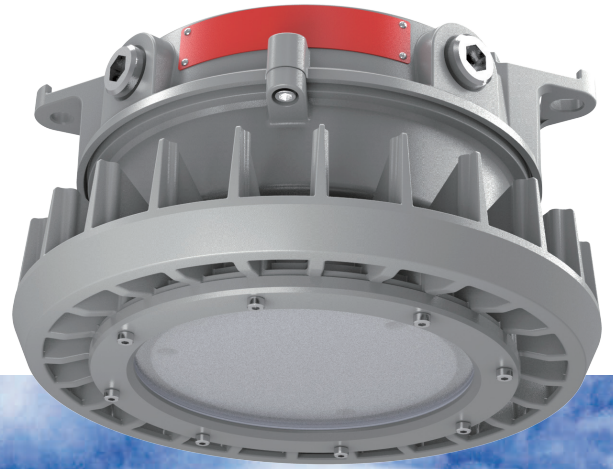


RED SKY
SERIOUSLY SAFE LIGHTS™

ROUND SERIES

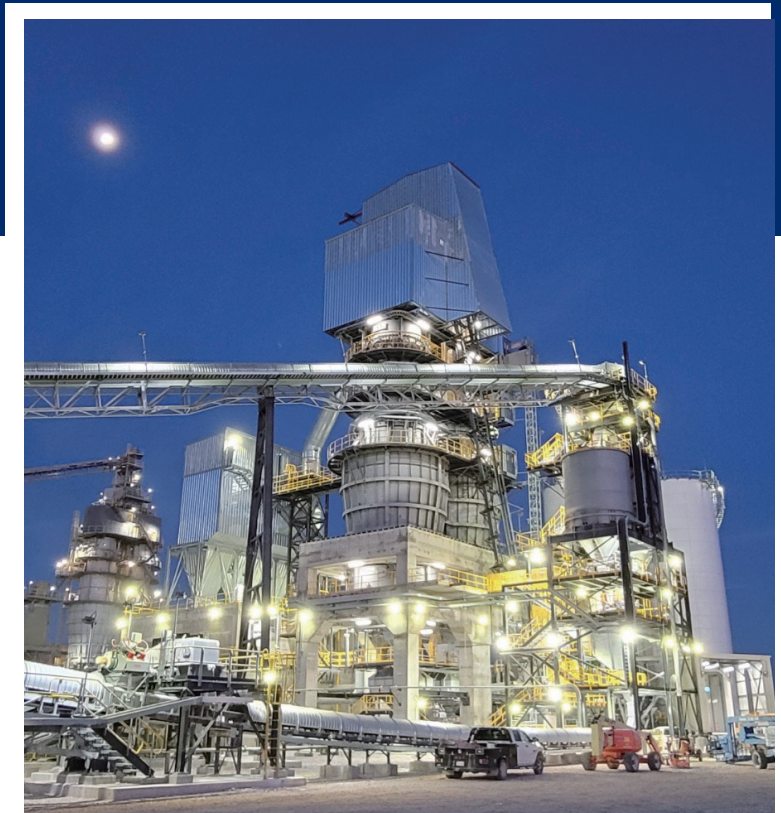
Technical Specification Sheet



ABOUT RED SKY LIGHTING

PIONEERING INDUSTRIAL ILLUMINATION FOR HARSH & HAZARDOUS CONDITIONS

- A leading manufacturer of premium LED lights for demanding work conditions
- Headquartered in California, products assembled in the USA
- Servicing global clients across 4 continents in metal processing, oil & gas, marine, manufacturing
- Renowned for quality, dependability, client care and uncompromising safety standards



WHY CHOOSE RED SKY

❧ SERIOUSLY SAFE LIGHTS

- Rigorously tested in our professional labs
- Surpassing industry certifications and safety protocols
- Crafted with highest grade components for maximum durability

❧ TOP-NOTCH SERVICES

- Team of experts for seamless support
- Energy audit services, lighting simulation services
- Hassle-free return policy and management

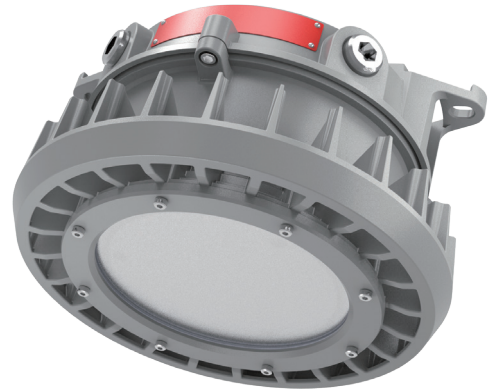
❧ FAST DELIVERY

- Majority of orders delivered within 14 days
- Same day shipping for products in stock
- Real-time order tracking for full transparency

❧ SUSTAINABLE SOLUTIONS

- High luminous efficacy LEDs for energy savings
- Conscious product design
- Recyclable materials for products and packaging

ROUND SERIES



The compact yet robust Round Series lights up even the tightest spaces. Measuring only 9 inches, it delivers a powerful 150 lumens per watt from high-efficiency LEDs. Approved for hazardous locations, the Round Series accommodates demanding conditions in industries like oil and gas, marine, factories and more.

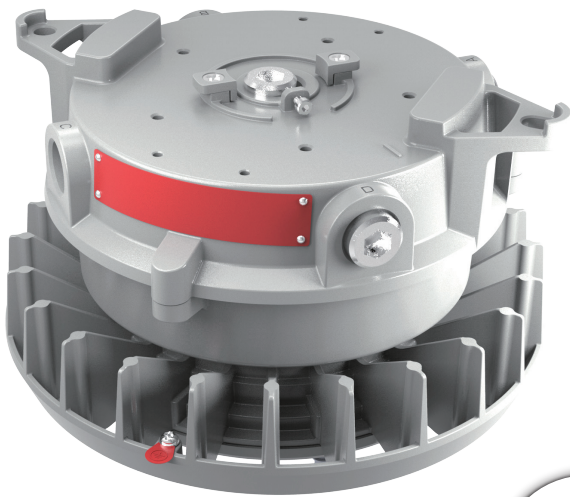
Built to last, it withstands searing heat up to 140°F (60°C) and has a lifetime of over 148,000 hours at this temperature, while its robust design and quality enable operation under temperatures as low as -40°F (-40°C). Its 1-10V dimmability reduces light pollution and slashes energy costs. For optimized coverage, choose from three lens options and seven mount configurations for flexible placement. Pre-installed cords make installation easy with a wide range of cord length options that offer great flexibility. A versatile mount fits multiple 3/4" NPT hubs for compatibility in different scenarios.

Backed by Red Sky Lighting's best-in-class 10-year warranty, it exceeds expectations through long shifts in punishing conditions. Experience powerful, precise lighting where you need it most with the compact yet mighty Round Series.



ROUND SERIES
LOWA, USA

FEATURES



Quick Installation
60 seconds installation time



Compact and Light Weight Design

Flexible Installation
7 different mounting options



RATINGS

| | |
|---------------------------------------|------------------------------|
| Class I Division 2, Groups A, B, C, D | Simultaneous Presence |
| Class II Division 1 Group E, F, G | UL 1598 Wet Locations |
| Class II Division 2, Groups F, G | UL 1598A Marine Outside Type |
| Class III | (Salt Water) |
| Class I, Zone 2, Group IIC | IP66 |
| Zone 21, Group IIIC | IK08 |

CERTIFICATIONS

UL844
UL1598
UL1598A
CSA C22.2 NO. 250.0:21, 5th Ed
CSA C22.2 No. 137, Edition: 2
DLC (Pending)

TECHNICAL PARAMETERS

| Specification | RND2-35 | RND2-40 | RND2-45 | RND2-55 | RND2-60 | RND2-65 |
|------------------------------------|---|---------|---------|---------|---------|---------|
| Electrical Parameters | | | | | | |
| Power | 35W | 40W | 45W | 55W | 60W | 65W |
| Voltage(V AC) | 120-277 | 347-480 | 120-277 | 120-277 | 347-480 | 120-277 |
| Frequency | 50/60Hz | | | | | |
| Power Factor | ≥90% | | | | | |
| THD | <20% | | | | | |
| L70 | 148,000 Hours@140°F | | | | | |
| Dimming | 0-10V | | | | / | 0-10V |
| Surge Protection | 10KV | | | | | |
| Warranty | LEDs: 10 years, Driver: 7 years | | | | | |
| Optical Parameters | | | | | | |
| Lumen Output* | 5,283Lm | 6,439Lm | 7,307Lm | 8,240Lm | 8,774Lm | 9,524Lm |
| Lumen Efficacy* | 150Lm/W | | | | | |
| Available Beam Angle | 60°/ 120° | | | | | |
| Correlated Color Temperature (CCT) | 3000K/4000K/5000K | | | | | |
| Color Rendering Index (CRI) | Ra>70 | | | | | |
| Mechanical Parameters | | | | | | |
| Finish | Thermoset Powdercoat | | | | | |
| Hardware | Stainless steel 316 | | | | | |
| Lens Material | Glass | | | | | |
| Mounting Options | Pendant, Ceiling, Yoke, Wall, Stanchion, Pole | | | | | |
| Product Weight | 11.0lbs / 5.0kg | | | | | |
| Cable Entry | (5) 3/4" NPT | | | | | |
| Product Dimensions(L×W×H) | 10.6×10.3×7.6in (269.4×262×191.7mm) | | | | | |
| Environmental Parameters | | | | | | |
| Ambient Operating Temperature | -40°F ~ +140°F (-40°C ~ 60°C) | | | | | |
| T-Code Rating | C1D2 – T4A, C2D1 – T5 | | | | | |

* Value calculated based on 5000K and Clear glass ,varies to different spec.

ORDERING INFORMATION

EXAMPLE: RND2-65-120-277-5K-120-H2-CG-GRY-PND

RND2 — 65 — 120-277 — 5K — 120 — H2 — CG — GRY — PND

PRODUCT
SERIES

WATTAGE

35 - 35W
40 - 40W
45 - 45W
55 - 55W
60 - 60W
65 - 65W

VOLTAGE

120 - 277*
120-277V AC
347 - 480*
347-480V AC

CCT

3K - 3000K
4K - 4000K
5K - 5000K

BEAM

60 - 60°(NEMA 4 - Medium)
120 - 120°(NEMA 6 - Wide)

MOUNTING

PND - Pendant & Ceiling**
YKE - Yoke***

COLOR

GRY - Grey

LENS

CG - Clear Glass
DG - Diffuse Glass
DLG- Diffuse Drop
Lens Glass

RATING

H2 - C1D2 / C2D1 / C3

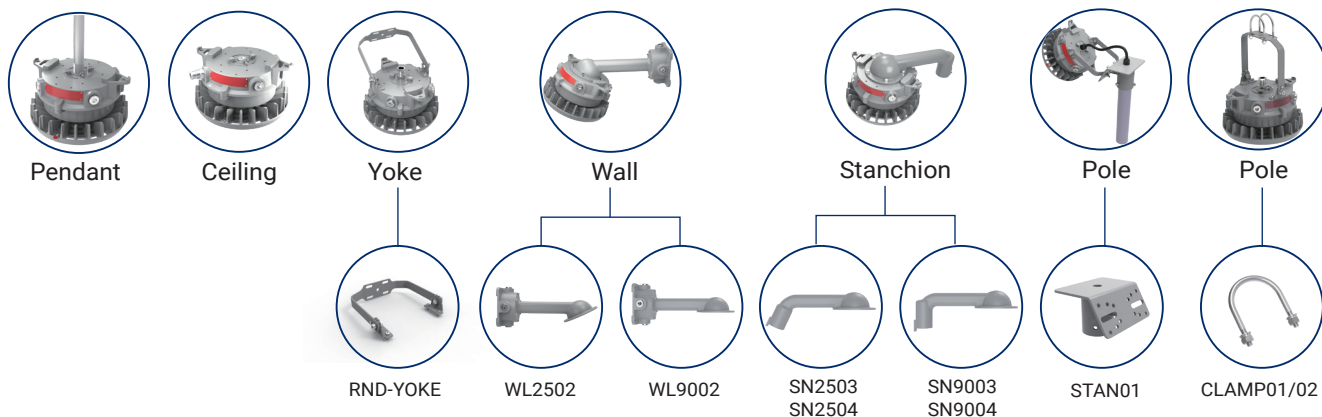
* 120-277 only available for 35W,45W,55W,65W

* 347-480 only available for 40W, 60W

** No accessory required for Pendant & Ceiling Mount

*** RND-YOKE Pre-installed as standard

MOUNTING ACCESSORIES



| Mounting Method | PN | Description | MPN Code |
|-----------------|----------|---|-----------|
| Yoke | RND-YOKE | YOKE Mount, RND SERIES, SS304, Power Coated Grey RAL7037 | 309050029 |
| Wall | WL2502 | WALL MOUNT 25 Degree, RND &BLM SERIES, Power Coated Grey RAL7037 | 309050317 |
| | WL9002 | WALL MOUNT 90 Degree, BLM & RND SERIES, Power Coated Grey RAL7037 | 309050316 |
| Stanchion | SN2503 | Stanchion Mount 25 Degree, NPT1-1/2, Power Coated Grey RAL7037 | 309050318 |
| | SN2504 | Stanchion Mount 25 Degree, NPT1-1/4, Power Coated Grey RAL7037 | 309050319 |
| | SN9003 | Stanchion Mount 90 Degree, NPT1-1/4, Power Coated Grey RAL7037 | 309050320 |
| | SN9004 | Stanchion Mount 90 Degree, NPT1-1/2, Power Coated Grey RAL7037 | 309050321 |
| Pole | STAN01* | Slip-Fit Stanchion Mount Kit, M25, SS304, Power Coated Grey RAL7037 | 309050300 |
| | CLAMP01 | Pipe Clamp Kit for Round pole Φ 1 7/8(48mm), SS304 | 309050047 |
| | CLAMP02 | Pipe Clamp Kit for Round pole Φ 2 3/8(60mm), SS304 | 309050046 |

* Requires A Yoke Mount

OTHER ACCESSORIES

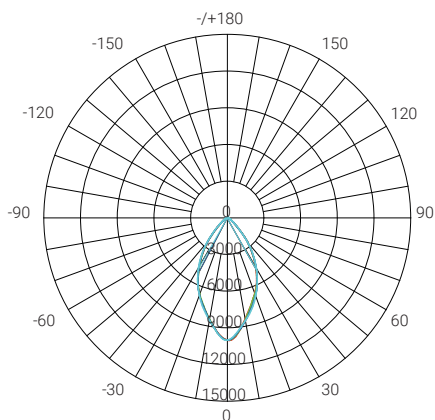


| PN | Description | MPN Code |
|------------|---|-----------|
| SFCB02 | Safety Cable Kit, RND &BLM&LNT&LNT EM SERIES, SS304 | 309050058 |
| RND-WG | Wire guard, RND SERIES, SS304 | 310010109 |
| RND-WGG | Wire guard for Globe lens, RND SERIES, SS304 | 309050322 |
| RND-VISO25 | VISOR 25°, RND SERIES, Aluminium alloy, Power Coated Grey RAL7037 | 101050009 |
| RND-VISO90 | VISOR 90°, RND SERIES, Aluminium alloy, Power Coated Grey RAL7037 | 101050008 |
| HOOK02 | M10 Hook with 3/4" NPT(SUS316) | 309050331 |
| GLCO-03 | Cord 3ft with gland for C1D2 only | 204020003 |
| GLCO-10 | Cord 10ft with gland for C1D2 only | 204020004 |

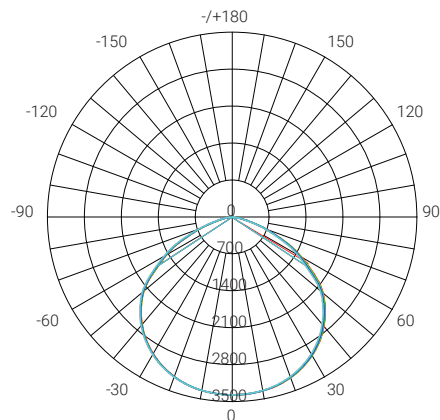
LUMEN TABLE

| PN | Wattage (W) | CCT | Beam | Lens | Lumen Output (Lm) | Efficiency (Lm/W) |
|---------------------------------------|-------------|-------|------|-----------------|-------------------|-------------------|
| Voltage 120-277V AC | | | | | | |
| RND2-35-120-277-5K-120-H2-CG-GRY-YKE | 35 | 5000K | 120° | Clear Glass | 5,283 | 152 |
| RND2-35-120-277-5K-120-H2-DG-GRY-YKE | 35 | 5000K | 120° | Diffuse Glass | 4,740 | 137 |
| RND2-35-120-277-5K-120-H2-DLG-GRY-YKE | 35 | 5000K | 120° | Drop Lens Glass | 4,346 | 125 |
| RND2-45-120-277-5K-120-H2-CG-GRY-YKE | 45 | 5000K | 120° | Clear Glass | 7,307 | 152 |
| RND2-45-120-277-5K-120-H2-DG-GRY-YKE | 45 | 5000K | 120° | Diffuse Glass | 6,541 | 136 |
| RND2-45-120-277-5K-120-H2-DLG-GRY-YKE | 45 | 5000K | 120° | Drop Lens Glass | 6,009 | 125 |
| RND2-55-120-277-5K-120-H2-CG-GRY-YKE | 55 | 5000K | 120° | Clear Glass | 8,240 | 149 |
| RND2-55-120-277-5K-120-H2-DG-GRY-YKE | 55 | 5000K | 120° | Diffuse Glass | 7,417 | 134 |
| RND2-55-120-277-5K-120-H2-DLG-GRY-YKE | 55 | 5000K | 120° | Drop Lens Glass | 6,816 | 123 |
| RND2-55-60-277-5K-60-H2-CG-GRY-YKE | 55 | 5000K | 60° | Clear Glass | 6,291 | 156 |
| RND2-65-120-277-5K-120-H2-CG-GRY-YKE | 65 | 5000K | 120° | Clear Glass | 9,524 | 150 |
| RND2-65-120-277-5K-120-H2-DG-GRY-YKE | 65 | 5000K | 120° | Diffuse Glass | 8,543 | 134 |
| RND2-65-120-277-5K-120-H2-DLG-GRY-YKE | 65 | 5000K | 120° | Drop Lens Glass | 7,842 | 123 |
| RND2-65-60-277-5K-60-H2-CG-GRY-YKE | 65 | 5000K | 60° | Clear Glass | 9,867 | 155 |
| Voltage 347-480V AC | | | | | | |
| RND2-40-347-480-5K-120-H2-CG-GRY-YKE | 40 | 5000K | 120° | Clear Glass | 6,439 | 149 |
| RND2-40-347-480-5K-120-H2-DG-GRY-YKE | 40 | 5000K | 120° | Diffuse Glass | 5,771 | 133 |
| RND2-40-347-480-5K-120-H2-DLG-GRY-YKE | 40 | 5000K | 120° | Drop Lens Glass | 5,303 | 123 |
| RND2-40-60-277-5K-60-H2-CG-GRY-YKE | 40 | 5000K | 60° | Clear Glass | 6,707 | 155 |
| RND2-60-347-480-5K-120-H2-CG-GRY-YKE | 60 | 5000K | 120° | Clear Glass | 8,774 | 154 |
| RND2-60-347-480-5K-120-H2-DG-GRY-YKE | 60 | 5000K | 120° | Diffuse Glass | 7,897 | 138 |
| RND2-60-347-480-5K-120-H2-DLG-GRY-YKE | 60 | 5000K | 120° | Drop Lens Glass | 7,237 | 127 |
| RND2-60-60-277-5K-60-H2-CG-GRY-YKE | 60 | 5000K | 60° | Clear Glass | 9,168 | 160 |

For additional information, please contact your sales representative.



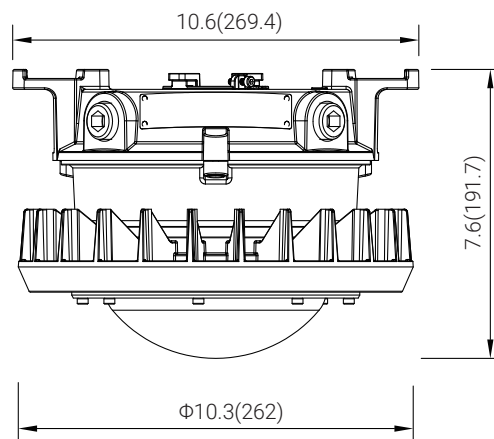
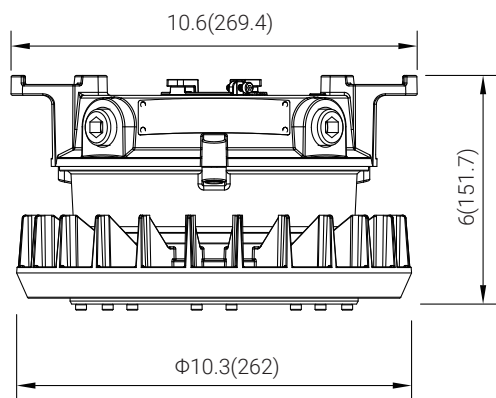
**60°
NEMA 4 - Medium**



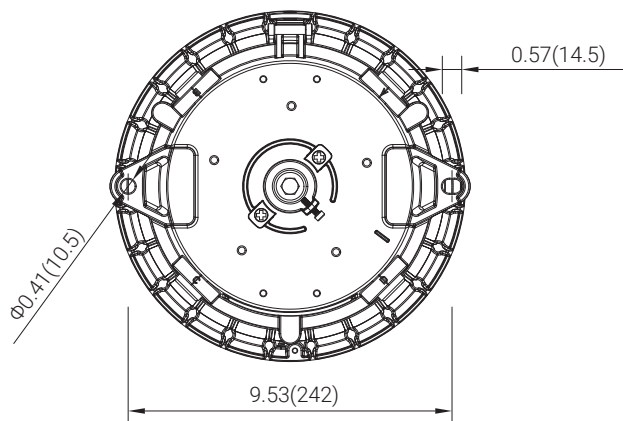
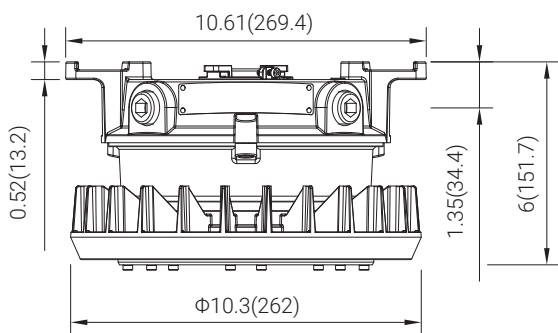
**120°
NEMA 6 - Wide**

DIMENSIONS

unit: in(mm)

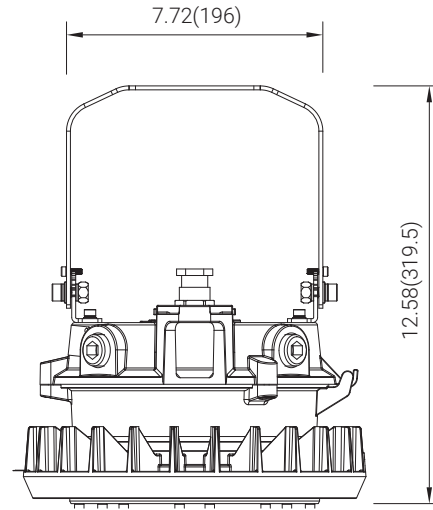
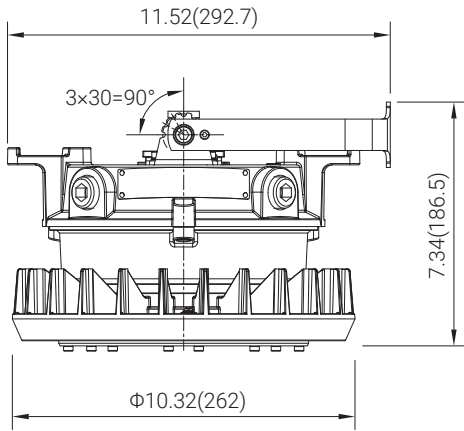
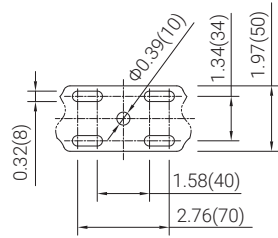


Pendant

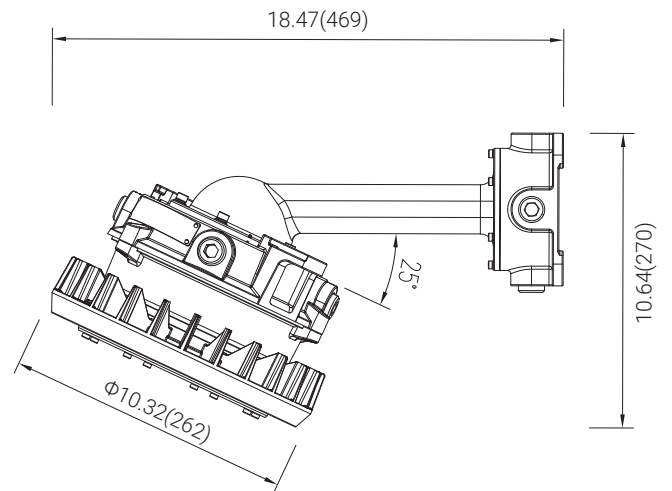
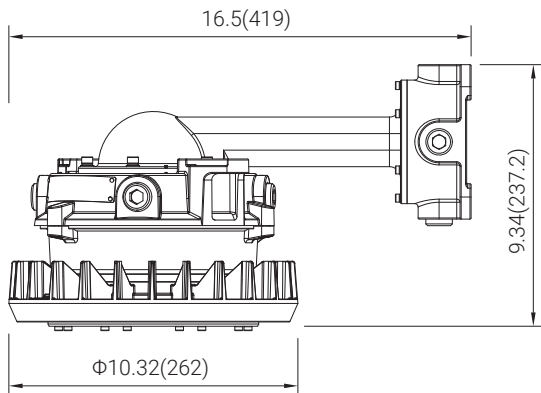
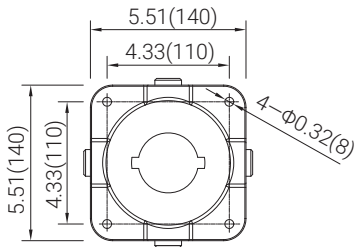


Ceiling

unit: in(mm)

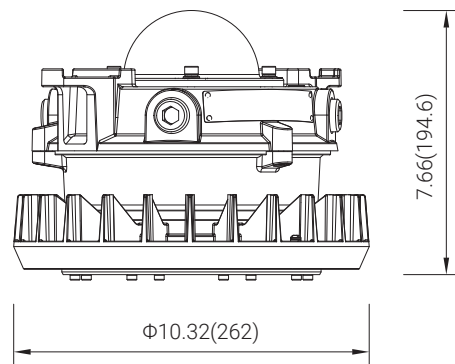
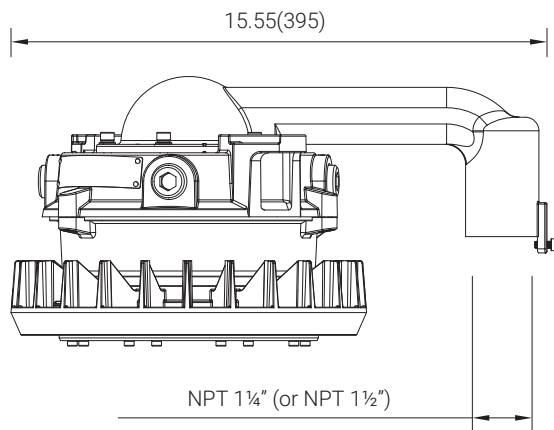
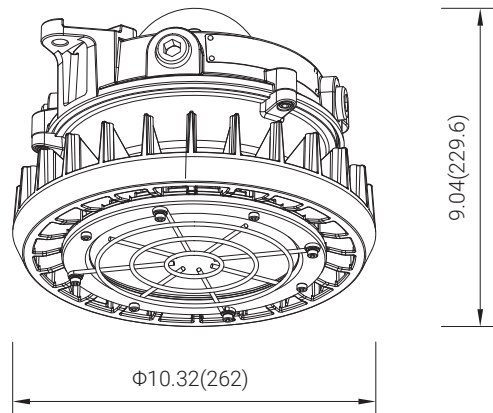
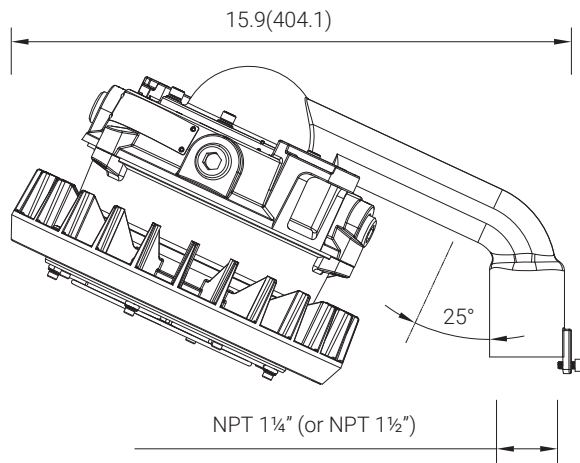


Yoke



Wall

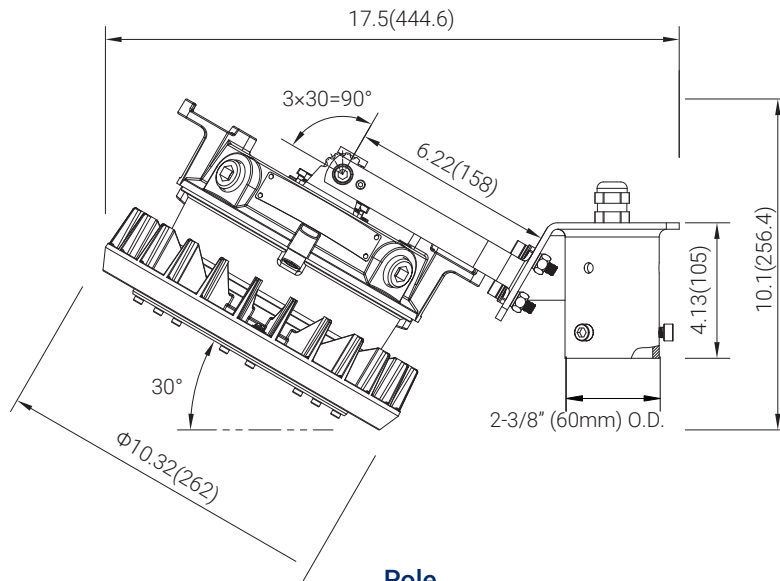
unit: in(mm)



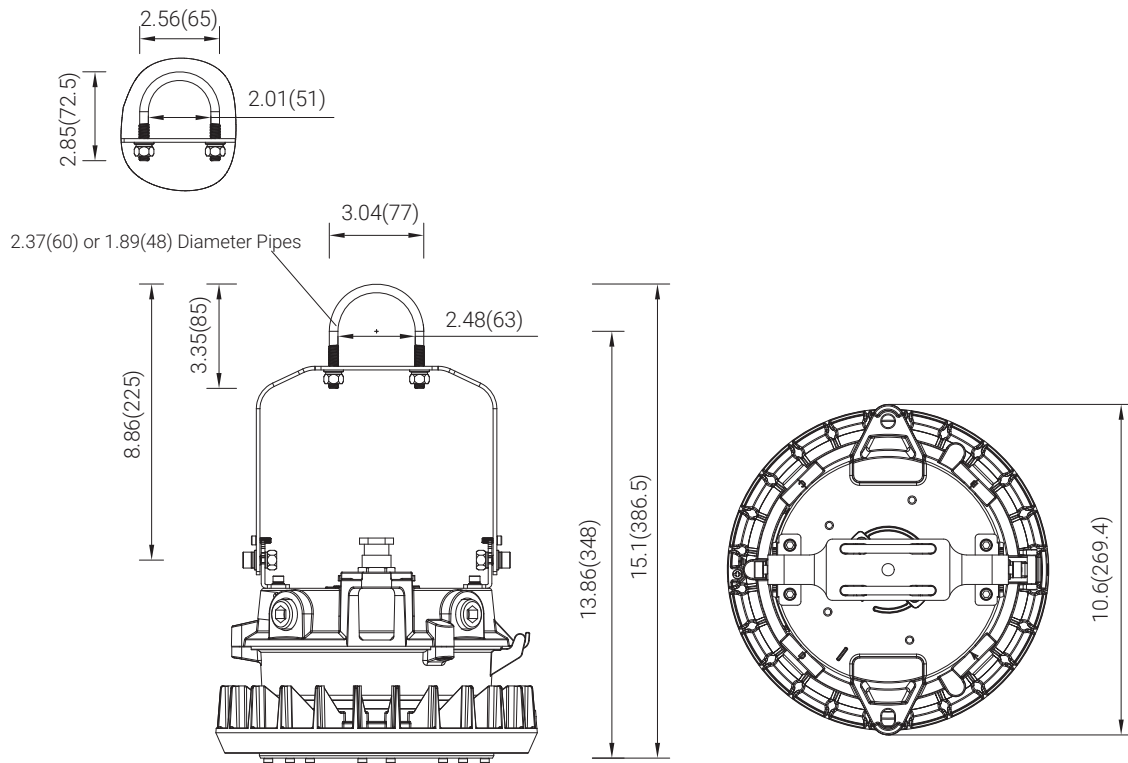
Stanchion

DIMENSIONS

unit: in(mm)



**Pole
STAN01**



**Pole
CLAMP01/02**

HAZARDOUS LOCATION LIGHTING BASICS

Atmosphere Groups

Temperature Classification

| Substance | Hazard Class | Division Groups | Zone Groups | Max. Surface Temperatures | NEC® 500 CEC® | NEC® 500/IEC-Group II |
|--|----------------------------------|---------------------------------|-------------------|---------------------------|---------------|-----------------------|
| Acetylene | Class I Flammable Gases | Group A | IIC | 450(842) | T1 | T1 |
| Hydrogen | | Group B | IIC | 300(572) | T2 | |
| Ethylene | | Group C | IIB | 280(536) | T2A | T2 |
| Propane | | Group D | IIA | 260(500) | T2B | |
| Methane | | Group D | IIA ² | 230(446) | T2C | |
| Combustible Metal Dusts | Class II Combustible Dusts | Group E ¹ | IIIC ³ | 215(419) | T2D | T3 |
| Combustible Carbonaceous Dust | | Group F | IIIB ³ | 200(392) | T3 | |
| Combustible Dusts not in Group E or F (Flour, Grain, Wood, Plastics, Chemicals) | | Group G | IIIB ³ | 180(256) | T3A | |
| Combustible Fibers and Flyings | | Class III Fibers and Flyings | Not Applicable | IIIA ³ | 165(329) | |
| | | | | 160(320) | T3C | |
| | | | | 135(275) | T4 | T4 |
| | | | | 120(248) | T4A | |
| | | | | 100(212) | T5 | T5 |
| | | | | 85(185) | T6 | T6 |

Note 1: Group E is applicable to Class II, Division 1 only.
 Note 2: Methane is a Group IIA Gas for non-mining applications.
 Note 3: Group IIIA, IIIB and IIIC have not been adopted by the Canadian Electrical Code.

Classification of Divisions and Zones

| Hazard Level | Division Scheme | Zone Scheme | Definitions |
|----------------------------------|-----------------|------------------|--|
| Continuous Hazard | Division 1 | Zone 0 / Zone 20 | A place in which an explosive atmosphere is continually present |
| Intermittent Hazard | | Zone 1 / Zone 21 | A place in which an explosive atmosphere is likely to occur in normal operation |
| Hazard Under Abnormal Conditions | Division 2 | Zone 2 / Zone 22 | A place in which an explosive atmosphere is not likely to occur in normal operation, but may occur for short periods |

IP Codes

| 1st No. | Solid Objects |
|---------|--|
| 0 | No protection |
| 1 | Objects greater than 50mm |
| 2 | Objects greater than 12.5mm |
| 3 | Objects greater than 2.5mm |
| 4 | Objects greater than 1mm |
| 5 | Dust protected |
| 6 | Dust proof |
| 2nd No. | Liquids |
| 0 | No protection |
| 1 | Vertically dripping |
| 2 | Dripping up to 15° |
| 3 | Limited spraying |
| 4 | Splashing from all directions |
| 5 | Hosing jets from all directions |
| 6 | Strong hosing jets from all directions |
| 7 | Temporary immersion |
| 8 | Continuous immersion |
| 9 | Steam-jet cleaning |

IK Ratings

| IK Code | Level of Protection Achieved |
|---------|--------------------------------------|
| IK00 | Not protected |
| IK01 | Protected against 0.14 joules impact |
| IK02 | Protected against 0.2 joules impact |
| IK03 | Protected against 0.35 joules impact |
| IK04 | Protected against 0.5 joules impact |
| IK05 | Protected against 0.7 joules impact |
| IK06 | Protected against 1 joules impact |
| IK07 | Protected against 2 joules impact |
| IK08 | Protected against 5 joules impact |
| IK09 | Protected against 10 joules impact |
| IK10 | Protected against 20 joules impact |

RED SKY LIGHTING LLC
9370 Pittsburgh Ave
Rancho Cucamonga, CA 91730, USA

1(262) 456-5002
contact@redskylighting.com
www.redskylighting.com

RED SKY
SERIOUSLY SAFE LIGHTS™