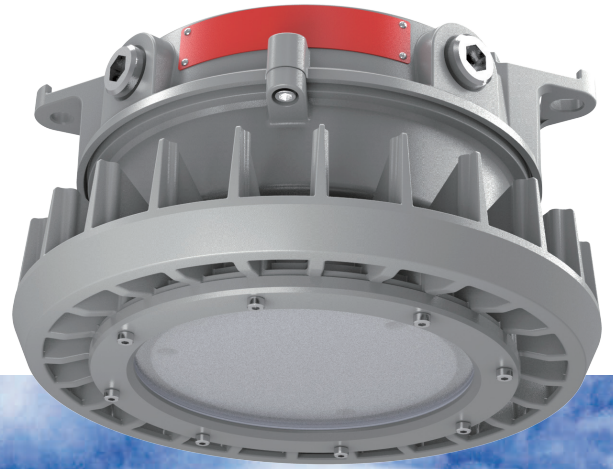


RED SKY
SERIOUSLY SAFE LIGHTS™

ROUND SERIES

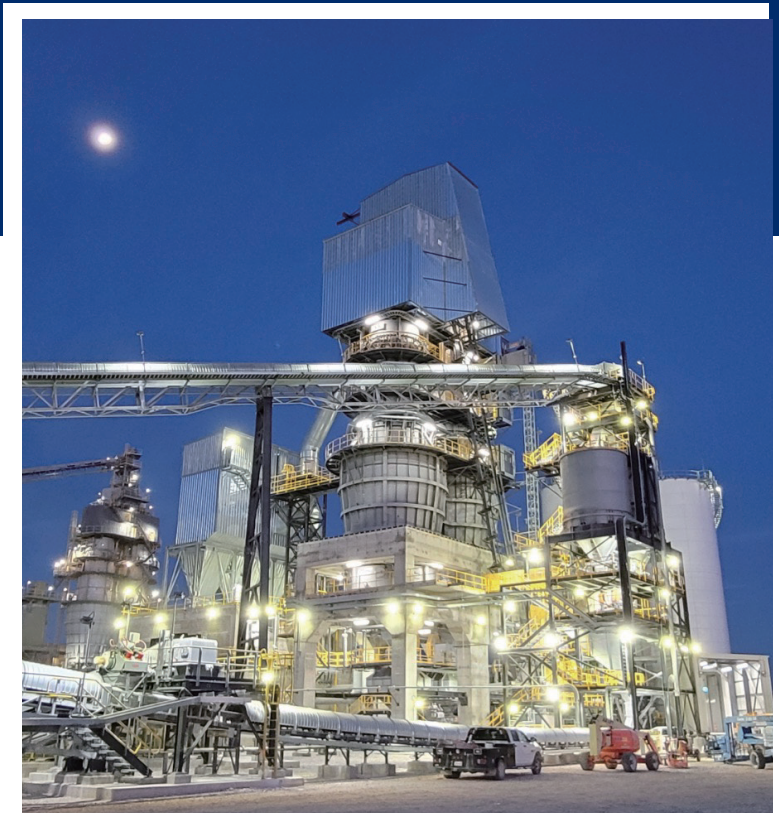
Technical Specification Sheet



ABOUT RED SKY LIGHTING

PIONEERING INDUSTRIAL ILLUMINATION FOR HARSH & HAZARDOUS CONDITIONS

- A leading manufacturer of premium LED lights for demanding work conditions
- Headquartered in California, products assembled in the USA
- Servicing global clients across 4 continents in metal processing, oil & gas, marine, manufacturing
- Renowned for quality, dependability, client care and uncompromising safety standards



WHY CHOOSE RED SKY

❧ SERIOUSLY SAFE LIGHTS

- Rigorously tested in our professional labs
- Surpassing industry certifications and safety protocols
- Crafted with highest grade components for maximum durability

❧ TOP-NOTCH SERVICES

- Team of experts for seamless support
- Energy audit services, lighting simulation services
- Hassle-free return policy and management

❧ FAST DELIVERY

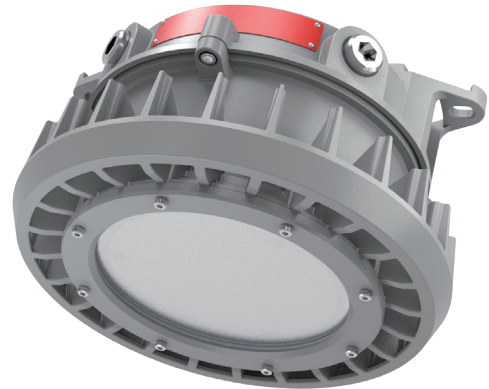
- Majority of orders delivered within 14 days
- Same day shipping for products in stock
- Real-time order tracking for full transparency

❧ SUSTAINABLE SOLUTIONS

- High luminous efficacy LEDs for energy savings
- Conscious product design
- Recyclable materials for products and packaging



ROUND SERIES



The compact yet robust Round Series lights up even the tightest spaces. Measuring only 9 inches, it delivers a powerful 150 lumens per watt from high-efficiency LEDs. Approved for hazardous locations, the Round Series accommodates demanding conditions in industries like oil and gas, marine, factories and more.

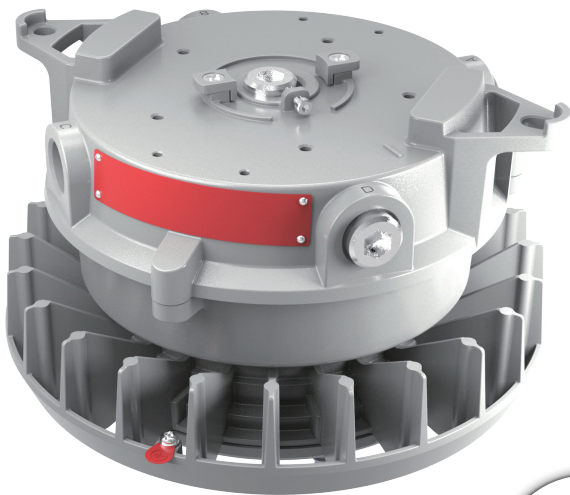
Built to last, it withstands searing heat up to 140°F (60°C) and has a lifetime of over 148,000 hours at this temperature, while its robust design and quality enable operation under temperatures as low as -40°F (-40°C). Its 1-10V dimmability reduces light pollution and slashes energy costs. For optimized coverage, choose from three lens options and seven mount configurations for flexible placement. Pre-installed cords make installation easy with a wide range of cord length options that offer great flexibility. A versatile mount fits multiple 3/4" NPT hubs for compatibility in different scenarios.

Backed by Red Sky Lighting's best-in-class 10-year warranty, it exceeds expectations through long shifts in punishing conditions. Experience powerful, precise lighting where you need it most with the compact yet mighty Round Series.



ROUND SERIES
LOWA, USA

FEATURES



Quick Installation
60 seconds installation time



Compact and Light Weight Design

Flexible Installation
7 different mounting options



RATINGS

Class I Division 2, Groups A, B, C, D	Simultaneous Presence
Class II Division 1 Group E, F, G	UL 1598 Wet Locations
Class II Division 2, Groups F, G	UL 1598A Marine Outside Type
Class III	(Salt Water)
Class I, Zone 2, Group IIC	IP66
Zone 21, Group IIIC	IK08

CERTIFICATIONS

UL844
UL1598
UL1598A
CSA C22.2 NO. 250.0:21, 5th Ed
CSA C22.2 No. 137, Edition: 2
DLC (Pending)

TECHNICAL PARAMETERS

Specification	RND2-35	RND2-40	RND2-45	RND2-55	RND2-60	RND2-65
Electrical Parameters						
Power	35W	40W	45W	55W	60W	65W
Voltage(V AC)	120-277	347-480	120-277	120-277	347-480	120-277
Frequency	50/60Hz					
Power Factor	≥90%					
THD	<20%					
L70	148,000 Hours@140°F					
Dimming	0-10V				/	0-10V
Surge Protection	10KV					
Warranty	LEDs: 10 years, Driver: 7 years					
Optical Parameters						
Lumen Output*	5,283Lm	6,439Lm	7,307Lm	8,240Lm	8,774Lm	9,524Lm
Lumen Efficacy*	150Lm/W					
Available Beam Angle	60°/ 120°					
Correlated Color Temperature (CCT)	3000K/4000K/5000K					
Color Rendering Index (CRI)	Ra>70					
Mechanical Parameters						
Finish	Thermoset Powdercoat					
Hardware	Stainless steel 316					
Lens Material	Glass					
Mounting Options	Pendant, Ceiling, Yoke, Wall, Stanchion, Pole					
Product Weight	11.0lbs / 5.0kg					
Cable Entry	(5) 3/4" NPT					
Product Dimensions(L×W×H)	10.6×10.3×7.6in (269.4×262×191.7mm)					
Environmental Parameters						
Ambient Operating Temperature	-40°F ~ +140°F (-40°C ~ 60°C)					
T-Code Rating	C1D2 – T4A, C2D1 – T5					

* Value calculated based on 5000K and Clear glass ,varies to different spec.

ORDERING INFORMATION

EXAMPLE: RND2-65-120-277-5K-120-H2-CG-GRY-PND

RND2 — 65 — 120-277 — 5K — 120 — H2 — CG — GRY — PND

PRODUCT SERIES

WATTAGE

35 - 35W
 40 - 40W
 45 - 45W
 55 - 55W
 60 - 60W
 65 - 65W

VOLTAGE

120 - 277*
 120-277V AC
 347 - 480*
 347-480V AC

CCT

3K - 3000K
 4K - 4000K
 5K - 5000K

BEAM

60 - 60°(NEMA 4 - Medium)
 120 - 120°(NEMA 6 - Wide)

MOUNTING

PND - Pendant & Ceiling**
 YKE - Yoke***

COLOR

GRY - Grey

LENS

CG - Clear Glass
 DG - Diffuse Glass
 DLG- Diffuse Drop Lens Glass

RATING

H2 - C1D2 / C2D1 / C3

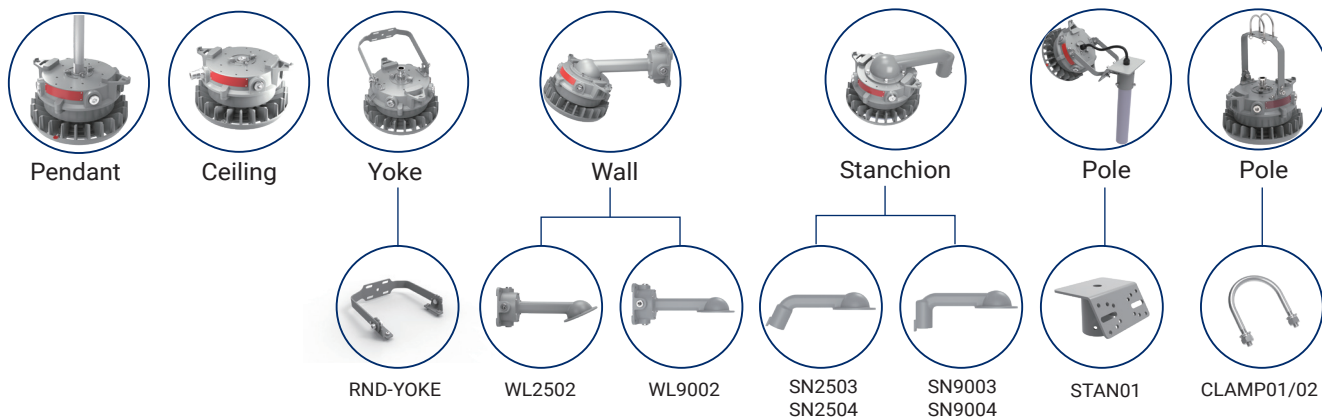
* 120-277 only available for 35W,45W,55W,65W

* 347-480 only available for 40W, 60W

** No accessory required for Pendant & Ceiling Mount

*** RND-YOKE Pre-installed as standard

MOUNTING ACCESSORIES



Mounting Method	PN	Description	MPN Code
Yoke	RND-YOKE	YOKE Mount, RND SERIES, SS304, Power Coated Grey RAL7037	309050029
Wall	WL2502	WALL MOUNT 25 Degree, RND &BLM SERIES, Power Coated Grey RAL7037	309050317
	WL9002	WALL MOUNT 90 Degree, BLM & RND SERIES, Power Coated Grey RAL7037	309050316
Stanchion	SN2503	Stanchion Mount 25 Degree, NPT1-1/2, Power Coated Grey RAL7037	309050319
	SN2504	Stanchion Mount 25 Degree, NPT1-1/4, Power Coated Grey RAL7037	309050318
	SN9003	Stanchion Mount 90 Degree, NPT1-1/4, Power Coated Grey RAL7037	309050320
	SN9004	Stanchion Mount 90 Degree, NPT1-1/2, Power Coated Grey RAL7037	309050321
Pole	STAN01*	Slip-Fit Stanchion Mount Kit, M25, SS304, Power Coated Grey RAL7037	309050300
	CLAMP01	Pipe Clamp Kit for Round pole Φ 1 7/8(48mm), SS304	309050047
	CLAMP02	Pipe Clamp Kit for Round pole Φ 2 3/8(60mm), SS304	309050046

* Requires A Yoke Mount

OTHER ACCESSORIES

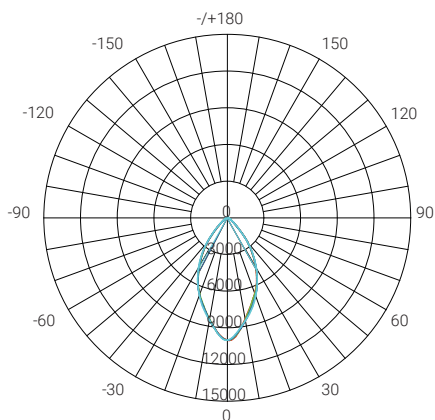


PN	Description	MPN Code
SFCB02	Safety Cable Kit, RND &BLM&LNT&LNT EM SERIES, SS304	309050058
RND-WG	Wire guard, RND SERIES, SS304	310010109
RND-WGG	Wire guard for Globe lens, RND SERIES, SS304	309050322
RND-VISO25	VISOR 25°, RND SERIES, Aluminium alloy, Power Coated Grey RAL7037	101050009
RND-VISO90	VISOR 90°, RND SERIES, Aluminium alloy, Power Coated Grey RAL7037	101050008
HOOK02	M10 Hook with 3/4" NPT(SUS316)	309050331
GLCO-03	Cord 3ft with gland for C1D2 only	204020003
GLCO-10	Cord 10ft with gland for C1D2 only	204020004

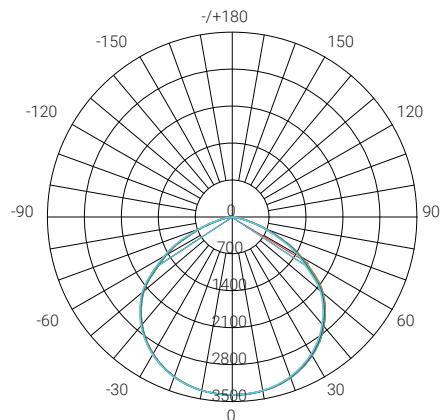
LUMEN TABLE

PN	Wattage (W)	CCT	Beam	Lens	Lumen Output (Lm)	Efficiency (Lm/W)
Voltage 120-277V AC						
RND2-35-120-277-5K-120-H2-CG-GRY-YKE	35	5000K	120°	Clear Glass	5,283	152
RND2-35-120-277-5K-120-H2-DG-GRY-YKE	35	5000K	120°	Diffuse Glass	4,740	137
RND2-35-120-277-5K-120-H2-DLG-GRY-YKE	35	5000K	120°	Drop Lens Glass	4,346	125
RND2-45-120-277-5K-120-H2-CG-GRY-YKE	45	5000K	120°	Clear Glass	7,307	152
RND2-45-120-277-5K-120-H2-DG-GRY-YKE	45	5000K	120°	Diffuse Glass	6,541	136
RND2-45-120-277-5K-120-H2-DLG-GRY-YKE	45	5000K	120°	Drop Lens Glass	6,009	125
RND2-55-120-277-5K-120-H2-CG-GRY-YKE	55	5000K	120°	Clear Glass	8,240	149
RND2-55-120-277-5K-120-H2-DG-GRY-YKE	55	5000K	120°	Diffuse Glass	7,417	134
RND2-55-120-277-5K-120-H2-DLG-GRY-YKE	55	5000K	120°	Drop Lens Glass	6,816	123
RND2-55-60-277-5K-60-H2-CG-GRY-YKE	55	5000K	60°	Clear Glass	6,291	156
RND2-65-120-277-5K-120-H2-CG-GRY-YKE	65	5000K	120°	Clear Glass	9,524	150
RND2-65-120-277-5K-120-H2-DG-GRY-YKE	65	5000K	120°	Diffuse Glass	8,543	134
RND2-65-120-277-5K-120-H2-DLG-GRY-YKE	65	5000K	120°	Drop Lens Glass	7,842	123
RND2-65-60-277-5K-60-H2-CG-GRY-YKE	65	5000K	60°	Clear Glass	9,867	155
Voltage 347-480V AC						
RND2-40-347-480-5K-120-H2-CG-GRY-YKE	40	5000K	120°	Clear Glass	6,439	149
RND2-40-347-480-5K-120-H2-DG-GRY-YKE	40	5000K	120°	Diffuse Glass	5,771	133
RND2-40-347-480-5K-120-H2-DLG-GRY-YKE	40	5000K	120°	Drop Lens Glass	5,303	123
RND2-40-60-277-5K-60-H2-CG-GRY-YKE	40	5000K	60°	Clear Glass	6,707	155
RND2-60-347-480-5K-120-H2-CG-GRY-YKE	60	5000K	120°	Clear Glass	8,774	154
RND2-60-347-480-5K-120-H2-DG-GRY-YKE	60	5000K	120°	Diffuse Glass	7,897	138
RND2-60-347-480-5K-120-H2-DLG-GRY-YKE	60	5000K	120°	Drop Lens Glass	7,237	127
RND2-60-60-277-5K-60-H2-CG-GRY-YKE	60	5000K	60°	Clear Glass	9,168	160

For additional information, please contact your sales representative.



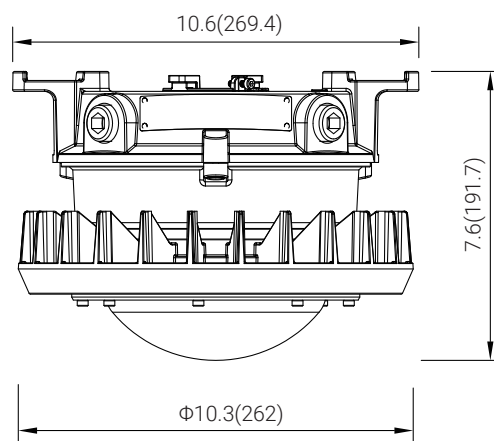
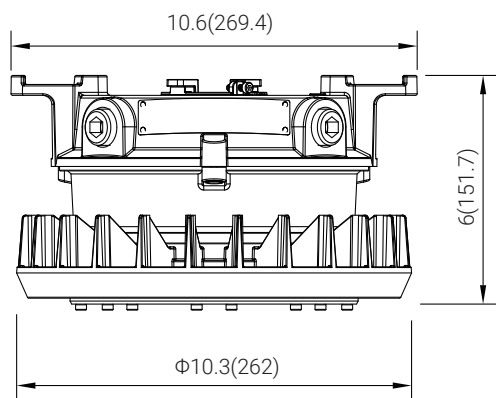
**60°
NEMA 4 - Medium**



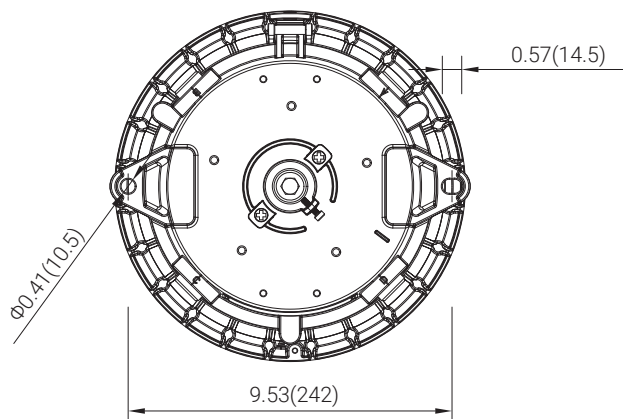
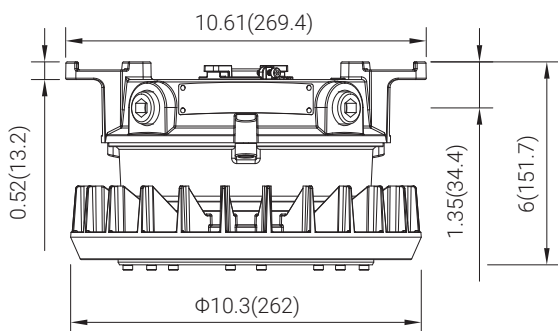
**120°
NEMA 6 - Wide**

DIMENSIONS

unit: in(mm)

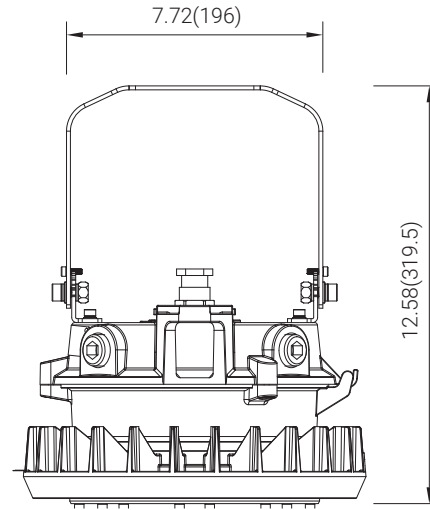
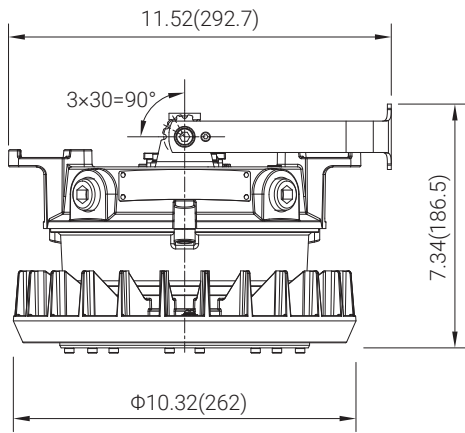
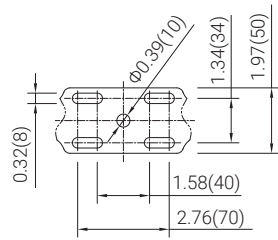


Pendant

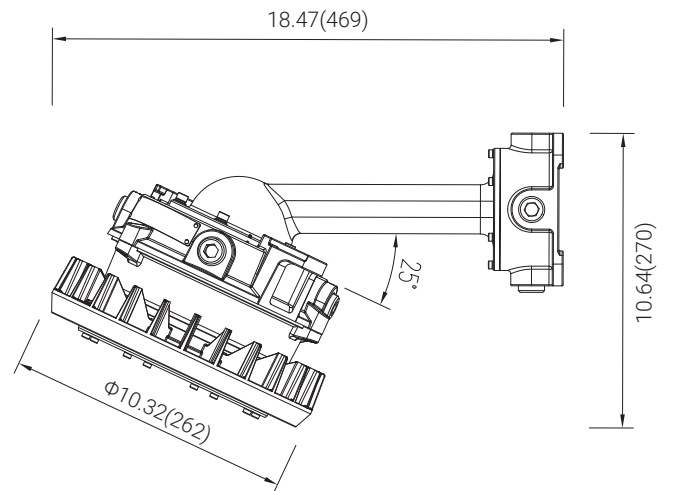
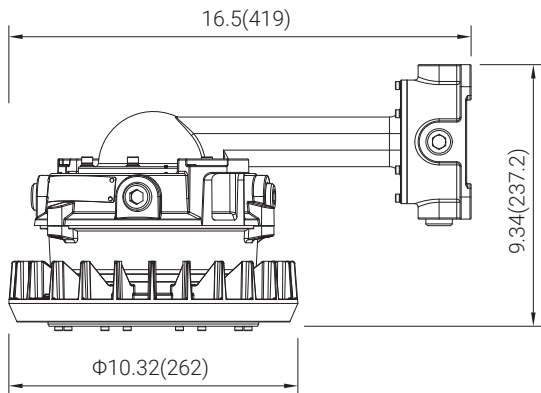
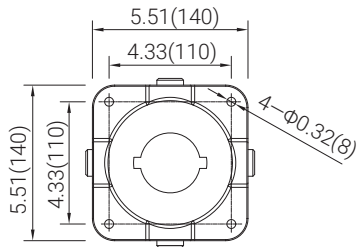


Ceiling

unit: in(mm)

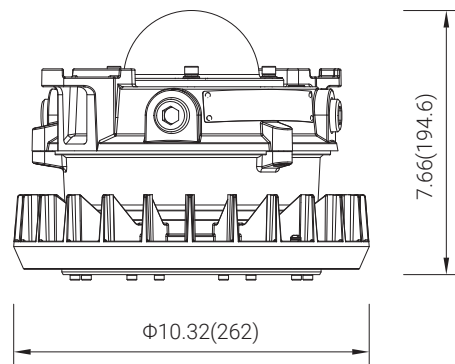
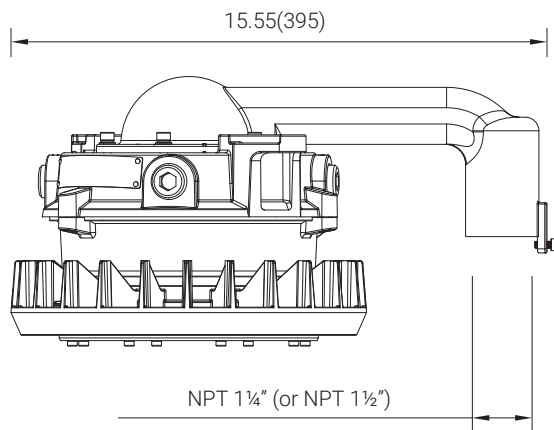
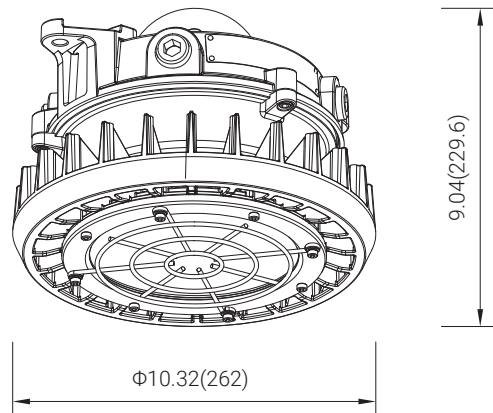
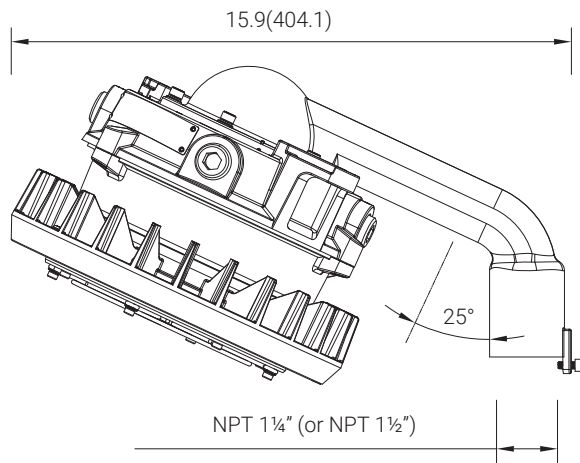


Yoke



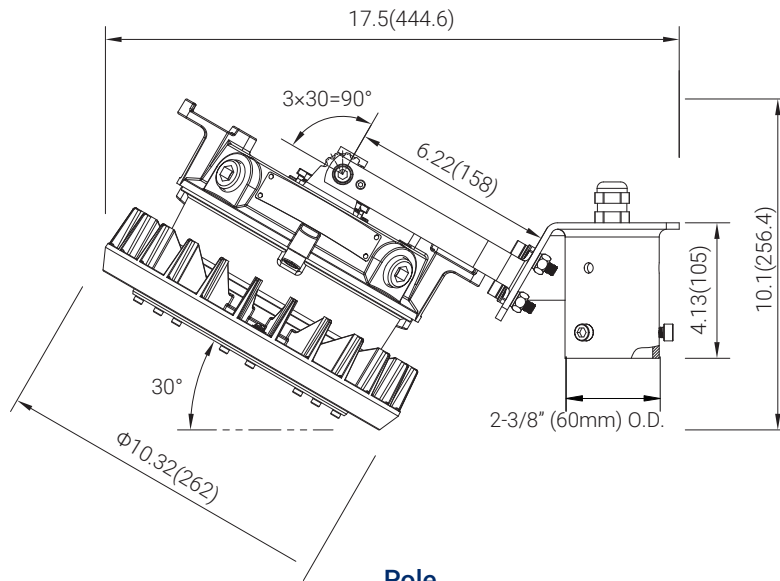
Wall

unit: in(mm)

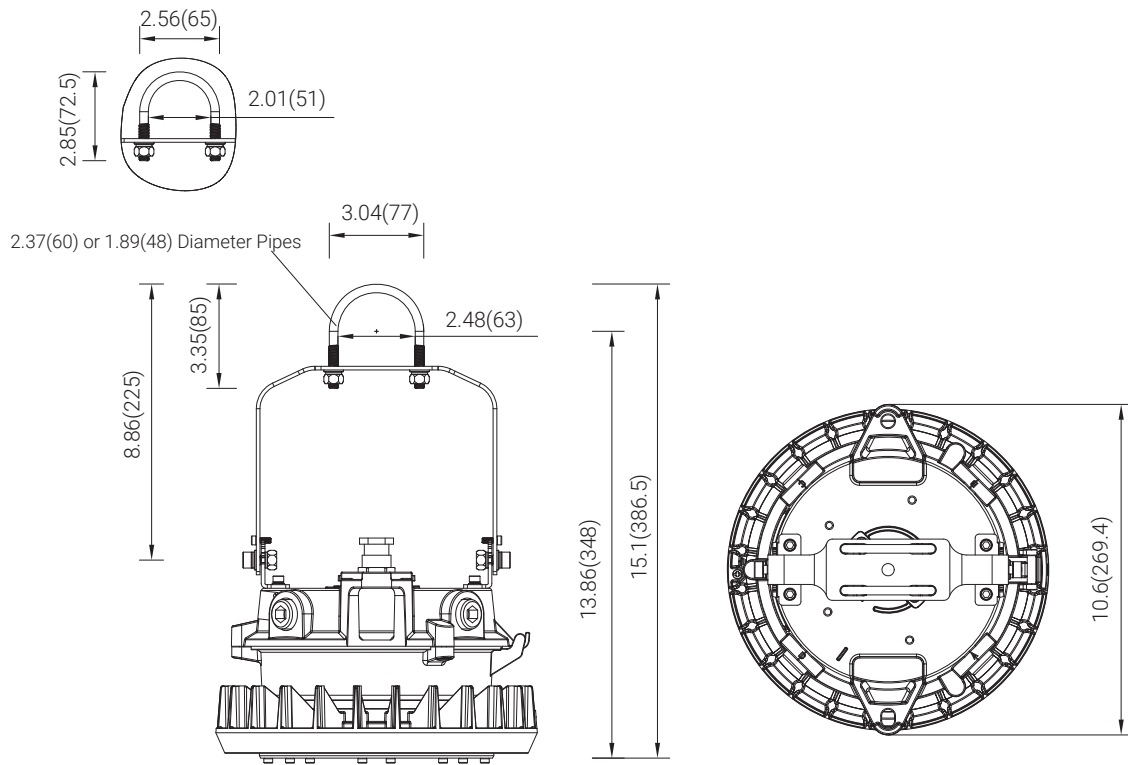


Stanchion

unit: in(mm)



**Pole
STAN01**



**Pole
CLAMP01/02**

HAZARDOUS LOCATION LIGHTING BASICS

Atmosphere Groups

Temperature Classification

Substance	Hazard Class	Division Groups	Zone Groups	Max. Surface Temperatures	NEC® 500 CEC®	NEC® 500/IEC-Group II
Acetylene	Class I Flammable Gases	Group A	IIC	450(842)	T1	T1
Hydrogen		Group B	IIC	300(572)	T2	
Ethylene		Group C	IIB	280(536)	T2A	T2
Propane		Group D	IIA	260(500)	T2B	
Methane		Group D	IIA ²	230(446)	T2C	
Combustible Metal Dusts	Class II Combustible Dusts	Group E ¹	IIIC ³	215(419)	T2D	T3
Combustible Carbonaceous Dust		Group F	IIIB ³	200(392)	T3	
Combustible Dusts not in Group E or F (Flour, Grain, Wood, Plastics, Chemicals)		Group G	IIIB ³	180(256)	T3A	
Combustible Fibers and Flyings		Class III Fibers and Flyings	Not Applicable	IIIA ³	165(329)	
				160(320)	T3C	
				135(275)	T4	T4
				120(248)	T4A	
				100(212)	T5	T5
				85(185)	T6	T6

Note 1: Group E is applicable to Class II, Division 1 only.
 Note 2: Methane is a Group IIA Gas for non-mining applications.
 Note 3: Group IIIA, IIIB and IIIC have not been adopted by the Canadian Electrical Code.

Classification of Divisions and Zones

Hazard Level	Division Scheme	Zone Scheme	Definitions
Continuous Hazard	Division 1	Zone 0 / Zone 20	A place in which an explosive atmosphere is continually present
Intermittent Hazard		Zone 1 / Zone 21	A place in which an explosive atmosphere is likely to occur in normal operation
Hazard Under Abnormal Conditions	Division 2	Zone 2 / Zone 22	A place in which an explosive atmosphere is not likely to occur in normal operation, but may occur for short periods

IP Codes

1st No.	Solid Objects
0	No protection
1	Objects greater than 50mm
2	Objects greater than 12.5mm
3	Objects greater than 2.5mm
4	Objects greater than 1mm
5	Dust protected
6	Dust proof
2nd No.	Liquids
0	No protection
1	Vertically dripping
2	Dripping up to 15°
3	Limited spraying
4	Splashing from all directions
5	Hosing jets from all directions
6	Strong hosing jets from all directions
7	Temporary immersion
8	Continuous immersion
9	Steam-jet cleaning

IK Ratings

IK Code	Level of Protection Achieved
IK00	Not protected
IK01	Protected against 0.14 joules impact
IK02	Protected against 0.2 joules impact
IK03	Protected against 0.35 joules impact
IK04	Protected against 0.5 joules impact
IK05	Protected against 0.7 joules impact
IK06	Protected against 1 joules impact
IK07	Protected against 2 joules impact
IK08	Protected against 5 joules impact
IK09	Protected against 10 joules impact
IK10	Protected against 20 joules impact

RED SKY LIGHTING LLC
9370 Pittsburgh Ave
Rancho Cucamonga, CA 91730, USA

1(262) 456-5002
contact@redskylighting.com
www.redskylighting.com

RED SKY
SERIOUSLY SAFE LIGHTS™