

LINEAR EMERGENCY SERIES

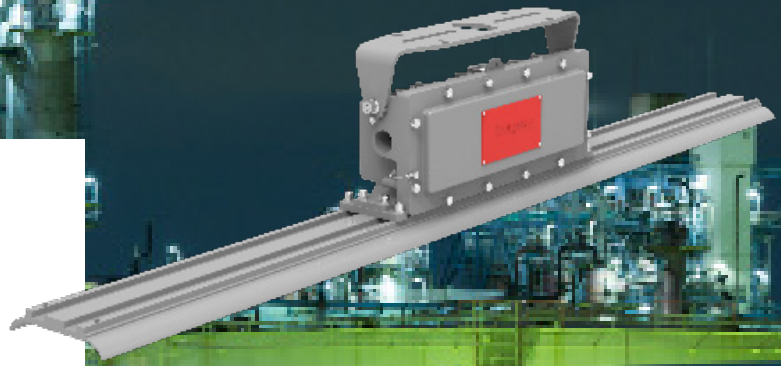
LOW PROFILE, LINEAR, EXPLOSION PROOF LIGHT – WITH 90 MINUTE BATTERY BACKUP

When the power goes out, keep hazardous locations safe and illuminated. Bringing the same robustness, cost-efficiency, and safety, the Linear now boasts a 90 Minute emergency battery backup.

Suitable for petrochemical facilities, drilling rigs, platforms, loading docks, mining, oil and gas refineries, tunnels, and other hazardous locations.

SPECIFICATION

POWER	: 40W/80W	EM: 12W
VOLTAGE / FREQUENCY	: 120-277V AC	50/60Hz
POWER FACTOR	: >0.95	
THD	: <20%	
L70	: 120,000 Hours@122°F	
SURGE PROTECTION	: 4KV	
LUMEN OUTPUT	: 5533/11548Lm	EM:2736Lm
LUMEN EFFICIENCY	: Up to 143Lm/W	
BEAM ANGLE	: 110°	
CCT	: 3000K/4000K/5000K	
COLOUR RENDERING INDEX	: Ra>70	
AMBIENT TEMPERATURE	: 32°F ~ +122°F (0°C ~ +50°C)	
T-CODE RATING	: CID2 – T4 CIID1 – T6	
FINISH	: Thermoset Powdercoat	
HARDWARE	: Stainless Steel 316	
CONNECTIONS	: 3/4" NPT	
MOUNTING OPTIONS	: Pendant, Yoke Bracket, Pipe, Chain	
WEIGHT	: 16.3Lb/7.4Kg; 23.8Lb/10.8Kg	
DIMENSIONS (L×W×H)	: 40W: 23.6×5.0×6.8in (600×127×173 mm) 80W: 47.2×5.0×6.8in (1200×127×173 mm)	
WARRANTY	: LEDs: 10 Years Driver: 7 Years Battery: 3 Years	



SCAN FOR LATEST PRODUCT INFO

RATINGS & CERTIFICATIONS

- > Class I Division 2 Group A, B, C, D
- > Class II Division 1 Group E, F&G
- > Class II Division 2 Group F&G
- > Class III



FEATURES

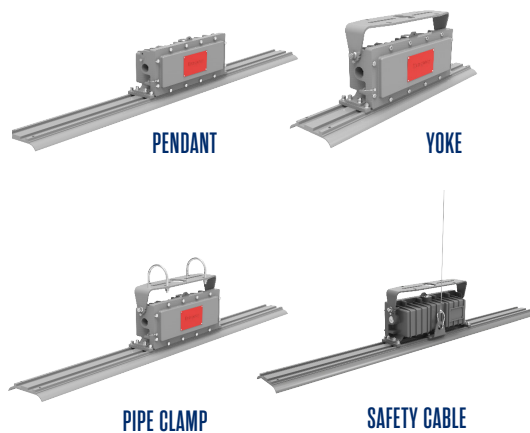
- > Best-in-class system efficiency - Up to 143 Lm / W
- > Charge time 24h, Emergency run time 90 mins, Rated load 12w in emergency mode
- > Wide ambient temp. range from 0°C to + 50 °C (32°F ~ + 122°F)
- > Safe and reliable heat transfer - Offering a T-rating of T4(CID2) / T6(CIID1)
- > Instant on/off operation
- > Shock-and vibration-resistant - Durable LEDs with solder-less board connection
- > Copper-free aluminum body and corrosion resistant
- > All exposed fasteners with quality stainless steel 316
- > UV stable and impact resistant clear or diffused PC lens
- > Slim and compact design

EXAMPLE: LNR-40-120-277-5K-H2-CP-GRY-PND-EM

LNR	40	120-277	5K	H2	CP	GRY	PND	EM
FIXTURE	WATTAGE 40 - 40W 80 - 80W	VOLTAGE 120-277	CCT 5K - 5000K 4K - 4000K 3K - 3000K	RATING H2- C1D2 / C2D1 / C3	LENS CP - Clear PC DP - Diffuse PC	COLOR GRY - Grey	MOUNTING PND - Pendant YKE - Yoke **	BATTERY EM

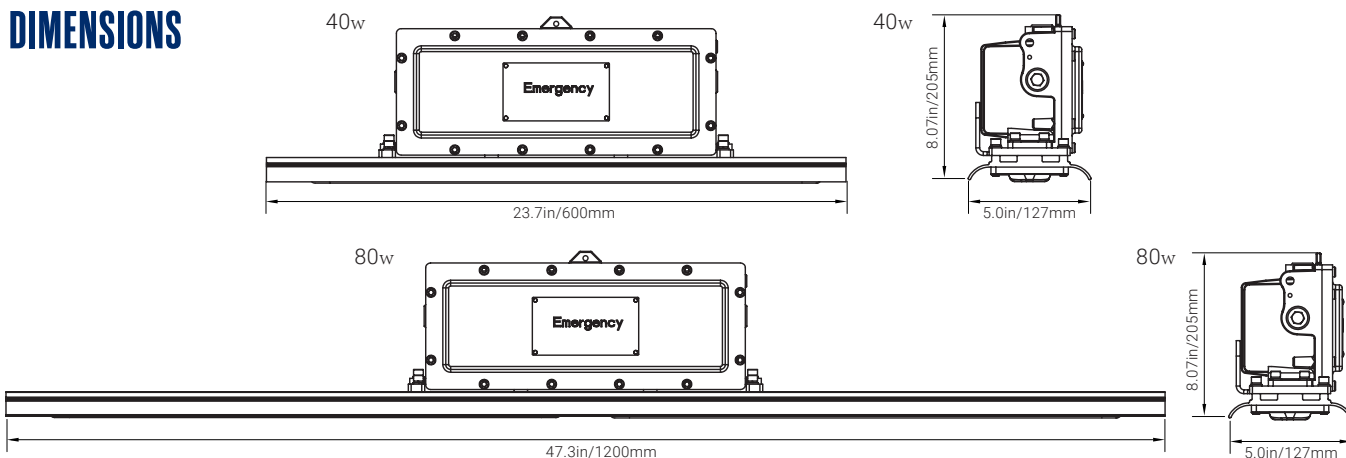
ACCESSORIES (ORDERED SEPARATELY)

Item	Description	MPN Code
CHAIN01	: Chain Hang Kit, LNR&LNT SERIES, SS304	309050071
LNR-YOKE	: Yoke Mount, LNR SERIES, SS304, Power Coated Grey RAL7037	309050042
CLAMP01	: Pipe Clamp Kit For Round Pole Φ 1 7/8(48mm), SS304	309050047
CLAMP02	: Pipe Clamp Kit For Round Pole Φ 2 3/8(60mm), SS304	309050046
SFCB03	: Safety Cable Kit, LNR SERIES, SS304	309050049
EBSFCB	: END BRACKET FOR SAFETY CABLE, Stainless Steel	101040148
SP3	: Surge Protector 100-277V, LNR&BLM SERIES	310010029



** LNR-YOKE Pre-installed as standard

DIMENSIONS



PHOTOMETRICS

