

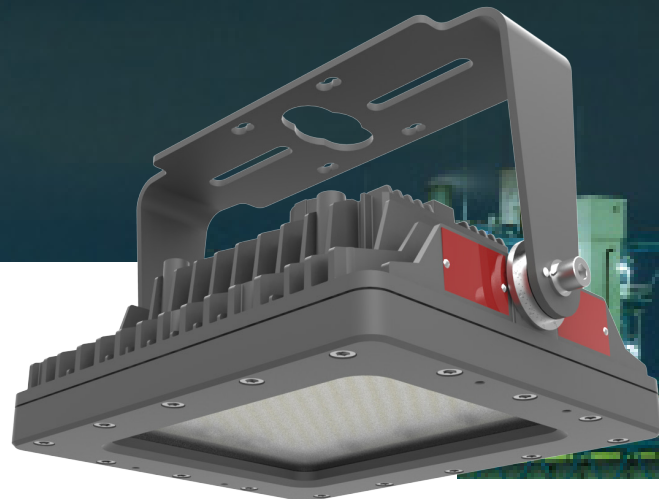
BLOCK-MINI SERIES H1

EXPLOSION PROOF, VERSATILE AND ENERGY EFFICIENT

This Class I Division 1, superior designed, lightweight, compact, LED area light is made for the most demanding environments and provides unmatched lighting performance with up to 162 lumens per watt. It is ideally suited for low mounting heights in offshore, gas, mining, chemical and other volatile environments.

SPECIFICATION

POWER	: 21W/40W/50W/60W
VOLTAGE / FREQUENCY	: 120-277V AC / 347-480V AC 50/60Hz
POWER FACTOR	: >0.95
THD	: <20%
L70	: 130,000 Hours@149°F
SURGE PROTECTION	: 21W/40W:2KV 50W/60W:6KV(standard),10KV(option)
LUMEN OUTPUT	: 4220/6500/7180/8515Lm
LUMEN EFFICIENCY	: Up to 162Lm/W
BEAM ANGLE	: T2/T3/T5
CCT	: 3000K/4000K/5000K
COLOUR RENDERING INDEX	: Ra>70
AMBIENT TEMPERATURE	: 21W / 40W / 50W : -40°F ~ +149°F (-40°C ~ +65°C) 60W : -40°F ~ +147°F (-40°C ~ +64°C)
T-CODE RATING	: 21W / 50W : CID1 – T6, CID2 – T4A, CIID1 – T6 40W : CID1 – T6, CID2 – T4, CIID1 – T6 60W : CID1 – T5, CID2 – T4, CIID1 – T5
FINISH	: Thermoset Powdercoat
HARDWARE	: Stainless Steel 316
CONNECTIONS	: (1) 3/4" NPT w/ 3' 18/3 leads
MOUNTING OPTIONS	: Pendant, Yoke Bracket
WEIGHT	: 13.9Lb/6.3Kg
DIMENSIONS (L×W×H)	: 9.7×8.3×5.1 in (244×211×130 mm)
WARRANTY	: LEDs: 10 Years Driver: 7 Years



SCAN FOR LATEST PRODUCT INFO

RATINGS & CERTIFICATIONS

- > Class I Division 1 Group B, C, D
- > Class I Division 2 Group A, B, C, D
- > Class II Division 1 Group E, F&G
- > Class II Division 2 Group F&G
- > Class III



FEATURES

- > Best-in-class system efficacy - Up to 162 Lm / W
- > Universal Voltage: AC120-277, 347-480V (50/60Hz)
- > Instant illumination and restrike - no warm-up time required
- > Ambient range -40°C to +65°C (-40°F to + 149°F)
- > Safe and reliable heat transfer - Offering a T-rating of T6 (CID1) / T6 (CIID1)
- > Shock-and vibration-resistant - Durable LEDs with solder-less board connection
- > Anti-corrosion housing tested 1000hrs to standard ASTM"B117-11"
- > All exposed fasteners with quality stainless steel
- > High Temperature silicone gasketing
- > Thermal shock and impact resistant tempered glass for CID1 models
- > Harsh & Hazardous Duty

EXAMPLE: BLM-40-120-277-5K-T5-H1-CG-GRY-PND

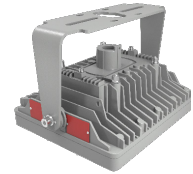
BLM	40	120-277	5K	T5	H1	CG	GRY	PND
FIXTURE	WATTAGE 21 - 21W 40 - 40W 50 - 50W* 60 - 60W	VOLTAGE 120-277 347-480*	CCT 5K - 5000K 4K - 4000K 3K - 3000K	BEAM T2-Type II* T3-Type III* T5-110°	RATING H1-C1D1 / C1D2 / C2D1 / C3	LENS CG - Clear Glass DG - Diffuse Glass	COLOR GRY - Grey	MOUNTING PND - Pendant YKE - Yoke**

* 50W only with AC 347-480V
AC 347-480V only with 50W"

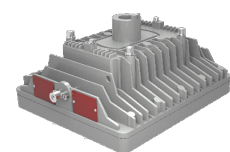
ACCESSORIES (ORDERED SEPARATELY)

Item	Description	MPN Code
BLM-YOKE	: Yoke Mount, BLM SERIES, SS304, Power Coated Grey RAL7037	310010032
BLM-WGG	: Wire Guard For Glass Lens, BLM	310010034
SFCB02	: Safety Cable Kit, RND &BLM&LNT&LNT EM SERIES, SS304	309050058
SP3	: Surge Protector 100-277V, LNR&BLM SERIES	310010029
SP4	: Surge Protector 347-480V, LNR&BLM SERIES	310010030

* Only available with Clear Glass Option
** BLM-YOKE Pre-installed as standard

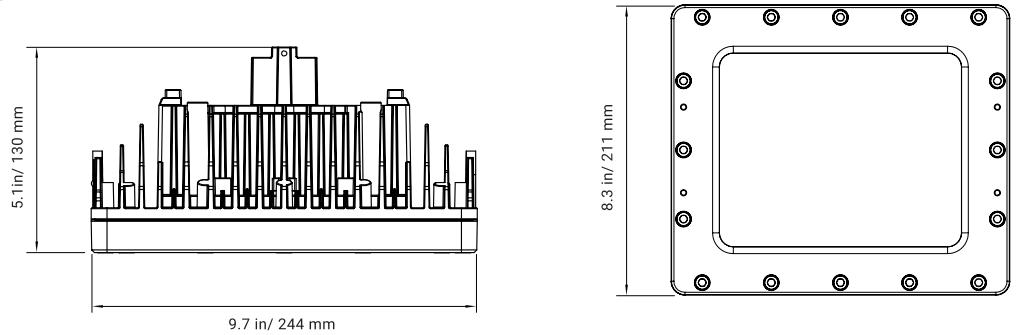


YOKE



PENDANT

DIMENSIONS



PHOTOMETRICS

