

MODULAR HOT SERIES

HIGH BAY LIGHTING WITH NUMEROUS OPTIC/ LUMEN PACKAGES FOR HIGH TEMPERATURE LOCATIONS

The Modular Hot Series brings high light output to high temperature environments. With a modular design and custom drivers, the Modular Hot delivers up to 120,000Lm in areas where temperatures can reach up to 159°F (70°C).

A perfect fit for steel mills, foundries, cranes, power plants, and other heavy industries.

SPECIFICATION

POWER	: 200W/ 400W/ 600W/ 800W
VOLTAGE/ FREQUENCY	: 120-277V AC 347-480V AC 50/60Hz
POWER FACTOR	: >0.90
THD	: <20%
L70	: 110,000 Hours@158°F
SURGE PROTECTION	: 6KV
LUMEN OUTPUT	: 30500Lm/ 57500Lm/ 87500Lm/ 114500Lm
LUMEN EFFICIENCY	: Up to 150Lm/W
BEAM ANGLE	: 15°/30°/60°/90°/30°*120°/ T3 (Polycarbonate) 120°(Glass)
CCT	: 5700K, 5000K, 4000K
COLOUR RENDERING INDEX	: Ra>70
AMBIENT TEMPERATURE	: Tempered Glass: -40°F ~ +158°F (-40°C ~ +70°C) Polycarbonate: -40°F ~ +149°F (-40°C ~ +65°C)
FINISH	: Thermoset Powdercoat
HARDWARE	: Stainless Steel 316
MOUNTING OPTIONS	: Yoke Bracket
WEIGHT	: 200W: 20.9Lb/9.5Kg 400W: 38.8Lb/17.6Kg 600W: 62.2Lb/28.2Kg 800W: 80.7Lb/36.6Kg
DIMENSIONS (L×W×H)	: 200W: 16.5x10.6x10.9in (420x270x277mm) 400W: 19.5x16.5x10.9in (495x420x277mm) 600W: 29.1x16.5x10.9in (740x420x277mm) 800W: 38.0x16.5x10.9in (964x420x277mm)
WARRANTY	: 5 Years



SCAN TO LEARN MORE

RATINGS & CERTIFICATIONS



FEATURES

- > Innovative design accommodates up to 8 LED modules
- > Heat-sinking technology ensures long lifespan and low light decline
- > Double coupling design guarantees IP66 protection for wet locations
- > High luminous efficacy-Up to 150 Lm/W
- > Input Voltage: AC120-277V AC347-480V (50/60Hz)
- > Instant illumination and restrike-no warm-up time required
- > Anti-corrosion housing tested 1000hrs to standard ASTM"B117-11"
- > All exposed fasteners with quality stainless steel
- > High Temperature silicone gasketing
- > Thermal shock and impact resistant tempered glass or PC Lens
- > Valid over the entire temperature range from -40°C to 70°C (-40 °F to 158 °F)
- > Thermal shock and impact resistant tempered glass (IK08) or PC Lens (IK10)

EXAMPLE: MDH-400-120-277-70-5K-120-CG-GRY

MDH	400	120-277	70	5K	120	CG	GRY
FIXTURE	WATTAGE 200 - 200W 400 - 400W 600 - 600W 800 - 800W	VOLTAGE 120-277 347-480	TEMP 65-65° * 70-70° *	CCT 57K - 5700K 5K - 5000K 4K - 4000K 3K - 3000K	BEAM 15 - 15° 30 - 30° 60 - 60° 90 - 90° 120 - 120° ** 30/120 - 30° x 120° T3 - Type III	LENS CG - Clear Glass DG - Diffuse Glass PC - Polycarbonate	COLOR GRY- Grey

ACCESSORIES (ORDERED SEPARATELY)

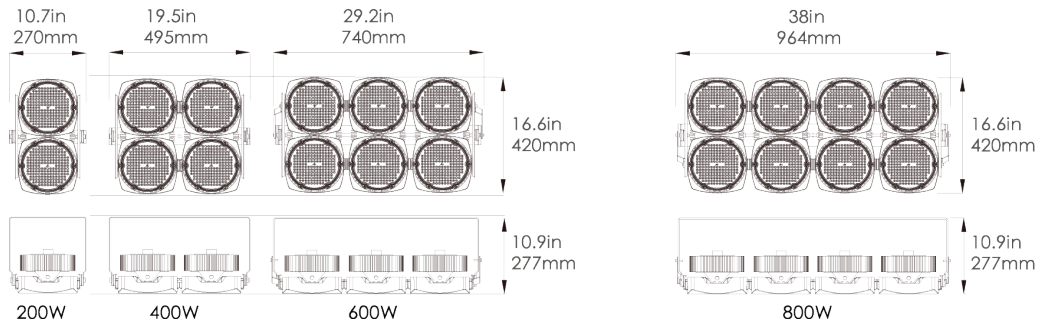
Item	Description	MPN Code
WG	: Wire Guard for 1 module	106060027
SFCB	: Safety Cable Kit	309050228
CA-X	: Extension Cord STW-18/3 600V 105°, Cut to Length, multiple of 3ft	103040080



YOKE

- * 70°C rating for glass lens options only Polycarbonate lens rated for 65°C
- ** Glass lens only available with 120° optic
- ** PC lens only available with all optic options but 120° optic
- *** 400W 600W 800W pre-installed with Junction Box and 3ft cord, custom cord length available upon request

DIMENSIONS



PHOTOMETRICS

