

LINEAR TUFF EMERGENCY

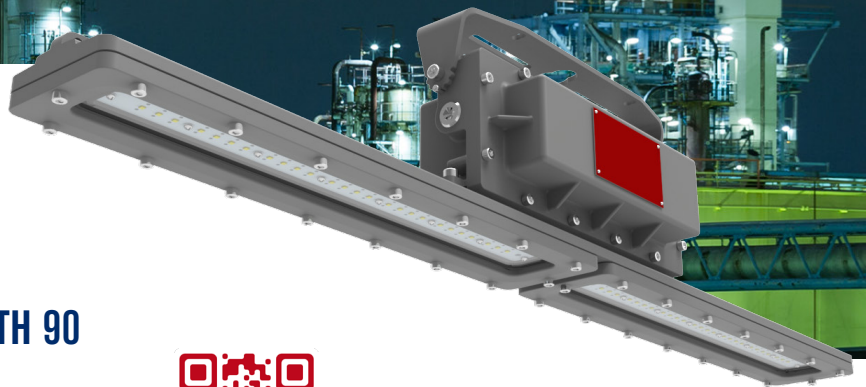
LINEAR, EXPLOSION PROOF LIGHT – WITH 90 MINUTE BATTERY BACKUP

When the power goes out, keep hazardous locations safe and illuminated. Bringing the same robustness, cost-efficiency, and safety, the Linear Tuff now boasts a 90 Minute emergency battery backup.

Suitable for petrochemical facilities, drilling rigs, platforms, loading docks, mining, oil and gas refineries, tunnels, and other hazardous locations.

SPECIFICATION

POWER	: 80W; EM: 6W
VOLTAGE / FREQUENCY	: 120-277V AC 50/60Hz
POWER FACTOR	: >0.95
THD	: <10%
L70	: 140,000 Hours@113°F
SURGE PROTECTION	: 6KV
LUMEN OUTPUT	: 10057Lm EM:812Lm
LUMEN EFFICIENCY	: Up to 123Lm/W
BEAM ANGLE	: 60° /110° /T2
CCT	: 3000K/4000K/5000K
COLOUR RENDERING INDEX	: Ra>70
AMBIENT TEMPERATURE	: -4°F ~ +113°F (-20°C ~ +45°C)
T-CODE RATING	: CID1 – T6
FINISH	: Thermoset Powdercoat
HARDWARE	: Stainless Steel 316
CONNECTIONS	: Three ¾" NPT
MOUNTING OPTIONS	: Pendant, Yoke Bracket, Pipe, Chain
WEIGHT	: 29.8Lb/7.4kg
DIMENSIONS (L×W×H)	: 43.3×5.8×7.3 in (1100×148×185 mm)
WARRANTY	: LEDs: 10 Years Driver: 5 Years Battery: 5 Years



SCAN TO LEARN MORE

RATINGS & CERTIFICATIONS

> Class I Division 1 Group C, D



FEATURES

- > Best-in-class system efficacy - Up to 136 Lm / W
- > Charge time 24h, Discharge time 1.5h
- > Wide ambient temp. range from - 20°C to + 45 °C (-4°F ~ + 113°F)
- > Safe and reliable heat transfer - Offering a T-rating of T6 (CID1)
- > Instant on/off operation
- > Shock-and vibration-resistant - Durable LEDs with solder-less board connection
- > Copper-free aluminum body and corrosion resistant
- > All exposed fasteners with quality stainless steel
- > Thermal shock and impact resistant tempered glass
- > Slim and compact design

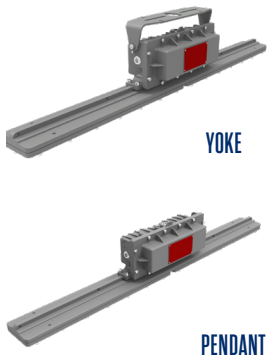
EXAMPLE: LNT-80-120-277-5K-110-H1-CG-GRY-PND-EM

LNT	80	120-277	5K	110	H1	CG	GRY	PND	EM
FIXTURE	WATTAGE 80 - 80W	VOLTAGE 120-277	CCT 5K - 5000K 4K - 4000K 3K - 3000K	BEAM 110 - 110° 60 - 60°* T2 - Type II*	RATING H1-C1D1	LENS CG-Clear Glass DG-Diffuse Glass	COLOR GRY - Grey	MOUNTING PND - Pendant YKE - Yoke **	BATTERY EM

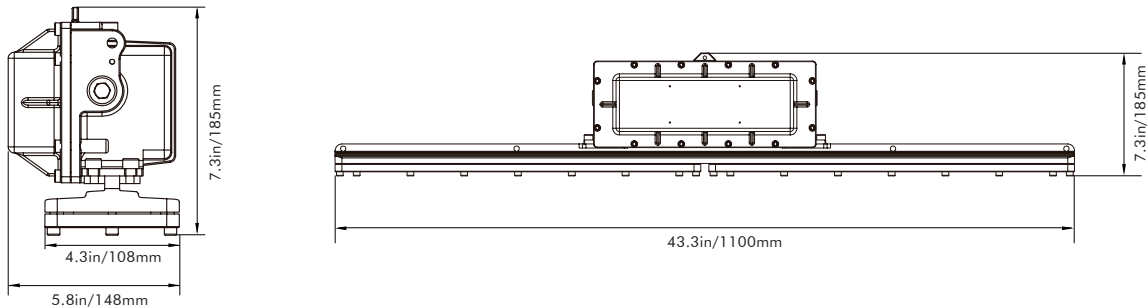
ACCESSORIES (ORDERED SEPARATELY)

Item	Description	MPN Code
YOKE-LNT	: YOKE Mount, Stainless Steel	309050067
CHAIN-LNT	: CHAIN HANG KIT, Stainless Steel	309050071
CLAMP01	: Pipe Clamp Kit for Round pole Φ 1 7/8(48mm), Stainless Steel	309050047
CLAMP02	: Pipe Clamp Kit for Round pole Φ 2 3/8(60mm), Stainless Steel	309050046
SFCB-RND	: Safety Cable Kit, Stainless Steel	309050058
SP1	: 10KV Surge Protector 120~277V	310010007

*Only available with Clear Glass Option
 ** YOKE-LNT Pre-installed as standard



DIMENSIONS



PHOTOMETRICS

