

# BLOCK SERIES H1

## EXPLOSION PROOF, VERSATILE AND ENERGY EFFICIENT

At 130 lumens per watt with 3 different beam patterns, the Block Series brings design, excellence, and durability to harsh and hazardous rated lighting.

Explosion proof, the Block is suitable where flammable gases, vapors and combustible dusts are present.

Applications include oil and gas rigs, petrochemical plants, and other hazardous corrosive facilities.

### SPECIFICATION

POWER	:	80W 100W 150W
VOLTAGE / FREQUENCY	:	100-277V AC/347-480V AC 50/60Hz
POWER FACTOR	:	≥90%
THD	:	<20%
L70	:	170,000 Hours@140°F
SURGE PROTECTION	:	4Kv
LUMEN OUTPUT	:	10400/13000/19500Lm
LUMEN EFFICIENCY	:	130Lm/W
BEAM ANGLE	:	25°/60°/120°
CCT	:	3000K/4000K/5000K
COLOUR RENDERING INDEX	:	Ra>70
AMBIENT TEMPERATURE	:	-40°F to +140°F (-40°C to +60°C)
T-CODE RATING	:	CID1 – T6, CID2 – T4A, CIID2 – T4A
FINISH	:	Thermoset Powercoat
HARDWARE	:	Stainless Steel 316
CONNECTIONS	:	Three ¾" NPT
MOUNTING OPTIONS	:	Pendant, Yoke Bracket, Stanchion
WEIGHT	:	33.4Lb/15.2Kg
DIMENSIONS (L×W×H)	:	12.9×10.7×8.4in (328×271×214 mm)
WARRANTY	:	Driver: 7 Years, LEDs: 10 Years



SCAN TO LEARN MORE

## RATINGS & CERTIFICATIONS

- > Class I Division 1 Group C, D
- > Class I Division 2 Group A, B, C, D
- > Class II Division 2 Group F&G
- > Class III



\* Not all product variations listed on this page are DLC qualified. Visit [www.designlights.org/search](http://www.designlights.org/search) to confirm qualification.

## APPLICATION

Power Plants / Heavy Industrials Storage Facility / Paper Mills  
Wastewater Treatment Plants / Loading Docks / Platforms / Shipyards  
Chemical Processing Facility / Petrochemical Processing Facility

## FEATURES

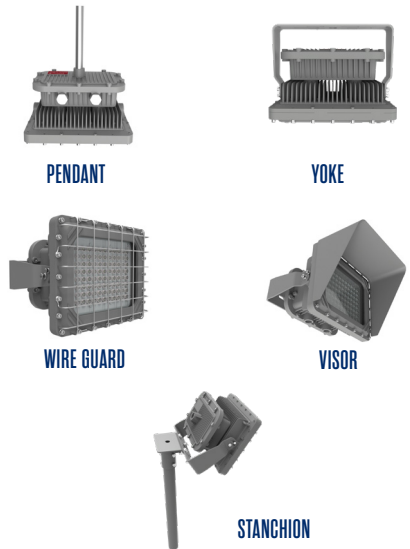
- > Best-in-class system efficacy - Up to 130 Lm / W
- > Universal Voltage: AC100-277, 347-480V (50/60Hz)
- > Instant illumination and restrike - no warm-up time required
- > Safe and reliable heat transfer - Offering a T-rating of T6 (CID1)/T4A (CID2, CIID2)
- > Shock-and vibration-resistant - Durable LEDs with solder-less board connection
- > Copper-free aluminum body and frame -corrosion resistant
- > All exposed fasteners with quality stainless steel
- > High Temperature silicone gasketing
- > Thermal shock and impact resistant glass lens
- > Harsh & Hazardous Duty

**EXAMPLE:** BLK-150-100-277-5K-120-H1-CG-GRY-PND

<b>BLK</b>	<b>150</b>	<b>100-277</b>	<b>5K</b>	<b>120</b>	<b>H1</b>	<b>CG</b>	<b>GRY</b>	<b>PND</b>
<b>FIXTURE</b>	<b>WATTAGE</b> 80 - 80W 100 - 100W 150 - 150W	<b>VOLTAGE</b> 100-277 347-480	<b>CGT</b> 5K - 5000K 4K - 4000K 3K - 3000K	<b>BEAM</b> 120 - 120° 60 - 60° 25 - 25°	<b>RATING</b> H1-C1D1 / C1D2 / C2D2 / C3	<b>LENS</b> CG - Clear Glass	<b>COLOR</b> GRY - Grey	<b>MOUNTING</b> PND - Pendant YKE - Yoke**

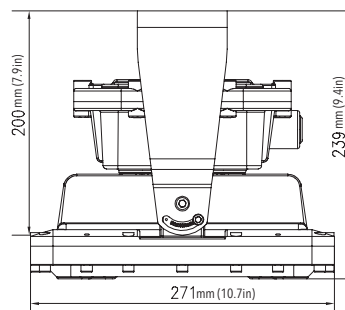
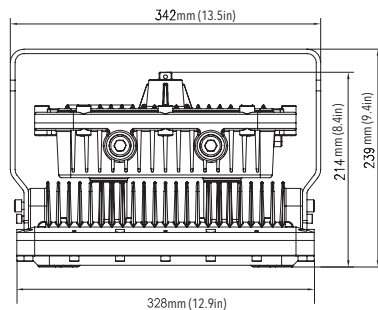
**ACCESSORIES (ORDERED SEPARATELY)**

Item	Description	MPN Code
YOKE-BLK	: YOKE Mount, Stainless Steel	309050055
360Y-BLK	: 360° Rotation YOKE Mount, Stainless Steel	101040235
AVBY-BLK	: Anti-vibration YOKE Mount, Stainless Steel	309050298
STAN-BLK	: Slip-Fit Stanchion Mount Kit, Stainless Steel ***	309050300
SFCB	: Safety Cable Kit, Stainless Steel	106060018
WG-BLK	: Lens Wire guard, Stainless Steel	106060013
SP1	: 10KV Surge Protector 120~277V	309050060
SP1HV	: 10kv Surge Protector 347~480V	309050061
VISOR-BLK	: VISOR, Stainless Steel	101040169



\*\* YOKE-BLK Pre-installed as standard, Contact sales for other Yoke options.  
 \*\*\* REQUIRES A YOKE MOUNT

**DIMENSIONS**



**PHOTOMETRICS**

