



## LINEAR TUFF SERIES

BRINGING TOGETHER ENERGY EFFICIENCY, DURABILITY, AND RELIABILITY, THE LINEAR TUFF SERIES IS DESIGNED TO MEET THE MOST DEMANDING HARSH ENVIRONMENTS. SUITABLE FOR PETROCHEMICAL FACILITIES, DRILLING RIGS, PLATFORMS, LOADING DOCKS, MINING, OIL AND GAS REFINERIES, TUNNELS, AND OTHER HAZARDOUS LOCATIONS.



## CERTIFICATIONS AND RATINGS

CLASS I DIVISION 1, GROUPS C,D  
CLASS I DIVISION 2, GROUPS A,B,C,D  
CSA C22.2 No. 250.0-08, 250.13-14  
UL 844 HAZARDOUS LOCATION  
UL 1598A MARINE VESSELS  
UL 1598 WET LOCATIONS  
UL 8750 LED SAFETY  
DLC (CONTACT US)  
ABS (PENDING)  
IP66



PICTURED WITH YOKE MOUNTING OPTION

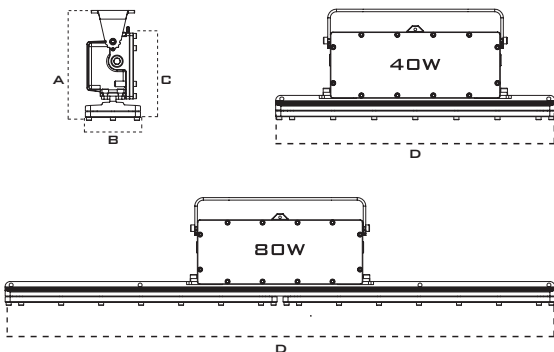
## DIMENSIONS

	A	B	C	D
40W	8.5/215	4.3/108	6.6/168	21.4/544
80W	8.5/215	4.3/108	6.6/168	45.3/1100

UNITS OF MEASURE: IN/MM

## WEIGHT

40W	16.3LB/7.4KG
80W	20.5LB/9.3KG



## SPECIFICATIONS

VOLTAGE/FREQUENCY	AC100-277V 50/60HZ AC200-480V 50/60HZ
POWER FACTOR	≥95% @120V
THD	≤20%; ≤10%
SURGE PROTECTION	4KVA
AMBIENT TEMPERATURE	-40°F TO 140°F (-40°C TO 60°C)
T-CODE RATINGS	CLASS I DIVISION 1 - T6 CLASS I DIVISION 2 - T3C
CONSTRUCTION	MARINE GRADE EXTRUDED ALUMINUM HOUSING AND DIE-CAST DRIVER BOX
LENS MATERIAL	TEMPERED GLASS
HARDWARE	MARINE GRADE STAINLESS STEEL
FINISH	THERMOSET POWDERCOAT
CONNECTION	3/4" NPT
POWER	40W      80W
LUMEN OUTPUT	4,805LM      9,825LM
BEAM ANGLE	60°    110°    TYPE II
COLOR RENDERING INDEX	RA>70
L70	>50,000 HOURS
WARRANTY	LEDs: 10 YEARS    DRIVER: 7 YEARS

# ORDER INFORMATION

# LINEAR TUFF SERIES

EXAMPLE: LNT-40-100-277-5000K-110-CLR-GREY-PEND

<b>LNT</b>	<b>40</b>	<b>100-277</b>	<b>5000K</b>	<b>110</b>	<b>CLR</b>	<b>GREY</b>	<b>PEND</b>
<u>FIXTURE</u>	<u>WATTAGE</u>	<u>VOLTAGE</u>	<u>CCT</u>	<u>BEAM ANGLE</u>	<u>LENS</u>	<u>COLOR</u>	<u>MOUNTING</u>
	40W 80W	100-277 277-480	5000K 4000K	110° 60° TYPE II	CLEAR DIFFUSE	GREY	PENDANT YOKE

## ACCESSORIES

- YOKE: YOKE MOUNT KIT
- CHAIN: STAINLESS STEEL CABLE KIT
- CLAMP: PIPE CLAMP KIT\*\*
- SFCB: SAFETY CABLE KIT
- SP1: 10KA SURGE PROTECTOR

\*CONTACT US FOR AVAILABILITY  
\*\*MUST BE ORDERED WITH YOKE MOUNT

## PHOTOMETRICS

